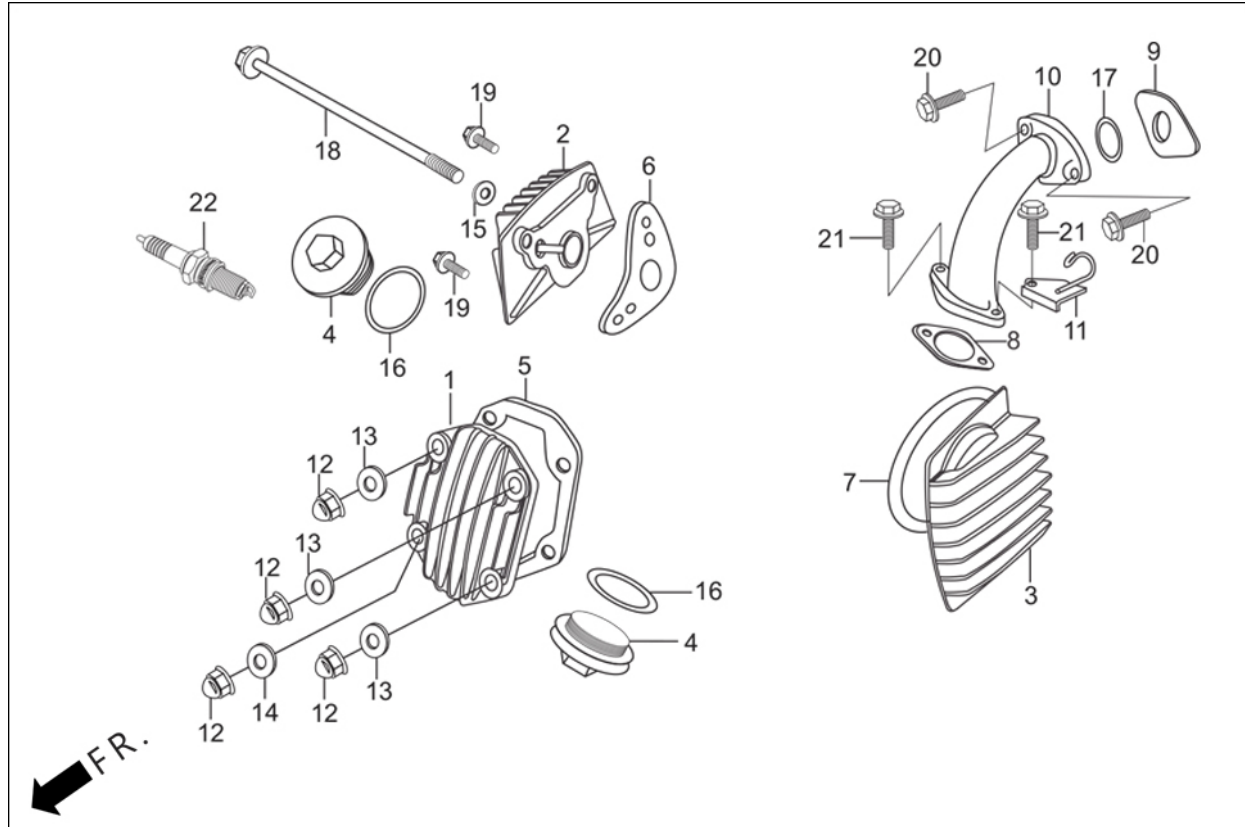


PARTS CATALOGUE

Passion Pro TR (July, 2014)

E-1 : CYLINDER HEAD COVER / INLET PIPE



E-1 : CYLINDER HEAD COVER / INLET PIPE

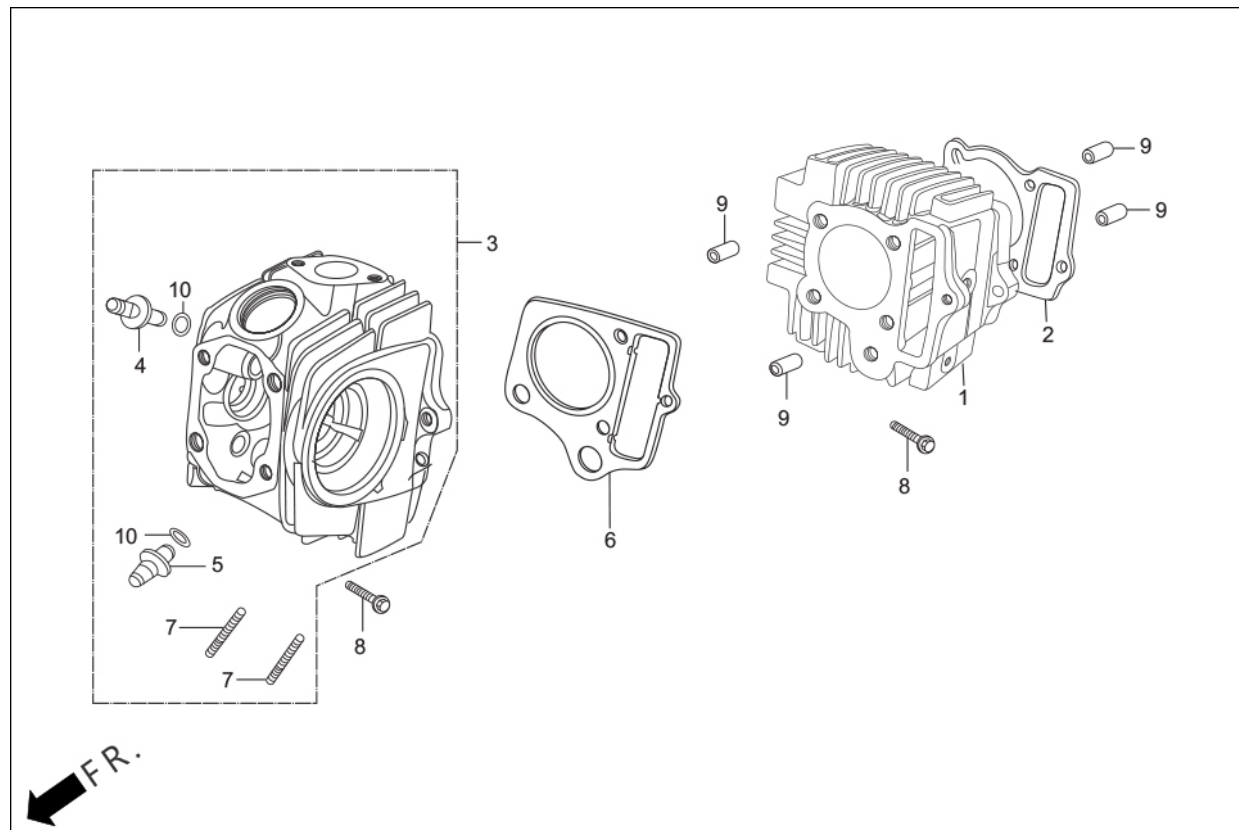
Group Number: E-1 **Model ::** Passion Pro TR (July, 2014)

Ref No.	Part Number	Description	Req.
1	12301-KWA-900	COVER, CYLINDER HEAD, BLACK	1
2	12331-KWA-900	COVER R CYLINDER HEAD SIDE(BLACK)	1
3	12341-KWA-900	COVER L CYLINDER HEAD SIDE	1
4	12361-035-000	CAP, TAPPET ADJUSTING HOLE	2
	12361-035-000	CAP, TAPPET ADJUSTING HOLE	2
5	12391-AAH-00099	GASKET CYL HEAD COVER	1
6	12394-AAH-00099	GASKET CYL HEAD R SIDE COVER	1
7	12395-AAH-00099	GASKET CYL HEAD L SIDE COVER	1
8	16201-KWB-920	GASKET,CARB. INSULATER	1
9	16211-459-750	INSULATOR, CARBURETTOR	1
10	17110-KCC-870	PIPE INLET	1
11	18655-KWA-940	STAY,A1 TUBE	1
12	90201-GF6-000R	NUT, CAP, 7 MM	4
13	90442-GF6-000	WASHER, SEALING, 7 MM	3
14	90443-GF6-010	WASHER, A SEALING, 7 MM	1
15	90461-357-000	WASHER, SEALING, 12 MM	1
16	91302-KEV-900	O-RING, 30.8 X 3	2
17	91304-GB1-900	O-RING, 25 X 2.4	1
	91304-GB1-900	O-RING, 25 X 2.4	1
18	95701-06110-00	BOLT, FLANGE, 6 X 110	1

E-1 : CYLINDER HEAD COVER / INLET PIPE

19	96001-06020-00	BOLT, FLANGE, SH. 6 X 20	2
20	96001-06022-00	BOLT, FLANGE, SH. 6 X 22	2
	96001-06022-00	BOLT, FLANGE, SH. 6 X 22	2
21	96001-06025-00	BOLT, FLANGE, SH. 6 X 25	2
22	31211-KWA-941	CASE A FRONT	1

E-2 : CYLINDER HEAD

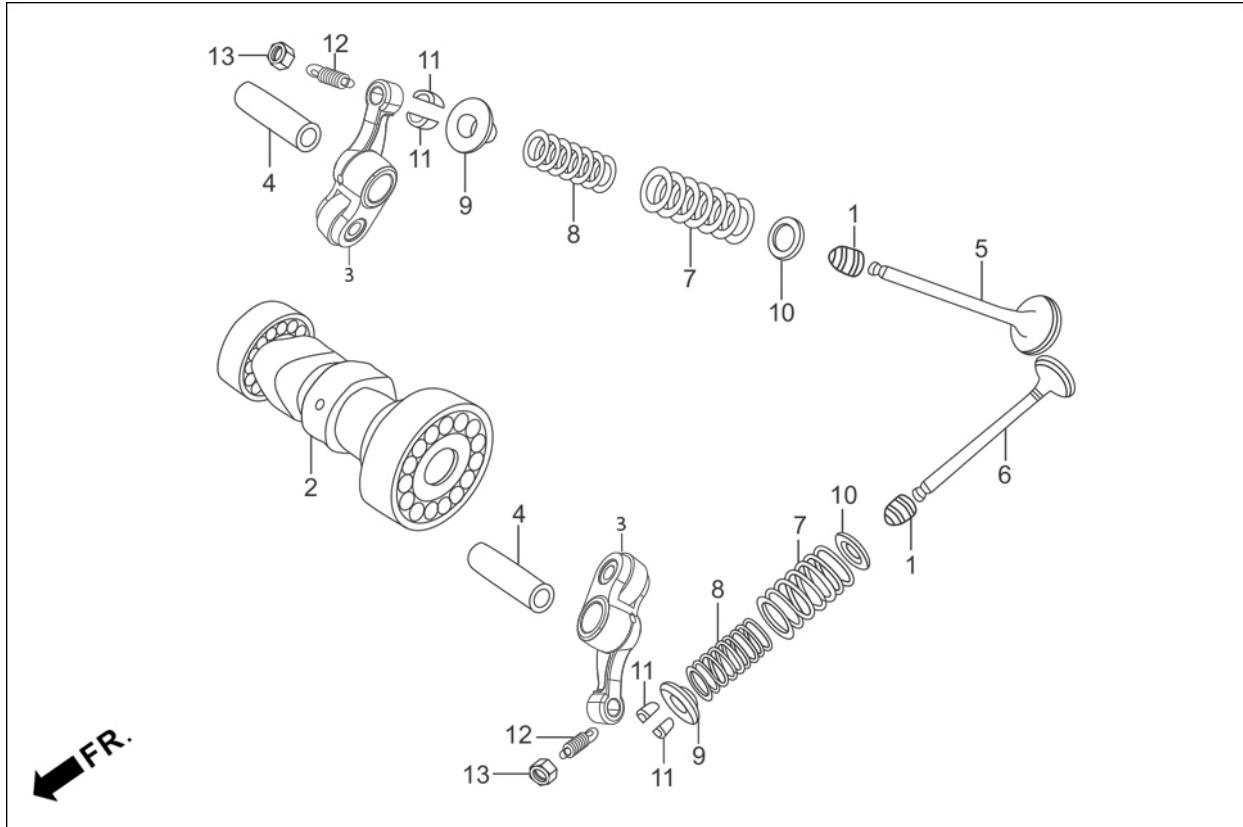


E-2 : CYLINDER HEAD

Group Number: E-2 **Model ::** Passion Pro TR (July, 2014)

Ref No.	Part Number	Description	Req.
1	12101-KST-940	CYLINDER	1
2	12191-AAH-F0099	GASKET CYLINDER	1
3	12200-AAF-010	HEAD COMP CYLINDER	1
4	12237-GB4-305	GUIDE,IN. VALVE	1
5	12245-GB4-305	GUIDE, EXH. VALVE	1
6	12251-KST-94099	GASKET CYLINDER HEAD	1
7	90033-041-020	BOLT, STUD, 6 X 32	2
8	90081-GFP-900	BOLT, SOCKET FLANGE 6×23	2
9	90701-GF6-000	PIN, DOWEL, 8 X 14	4
	90701-GF6-000	PIN, DOWEL, 8 X 14	4
10	91305-028-150	O- RING, 9 X1.6	2

E-3 : CAM SHAFT / VALVE

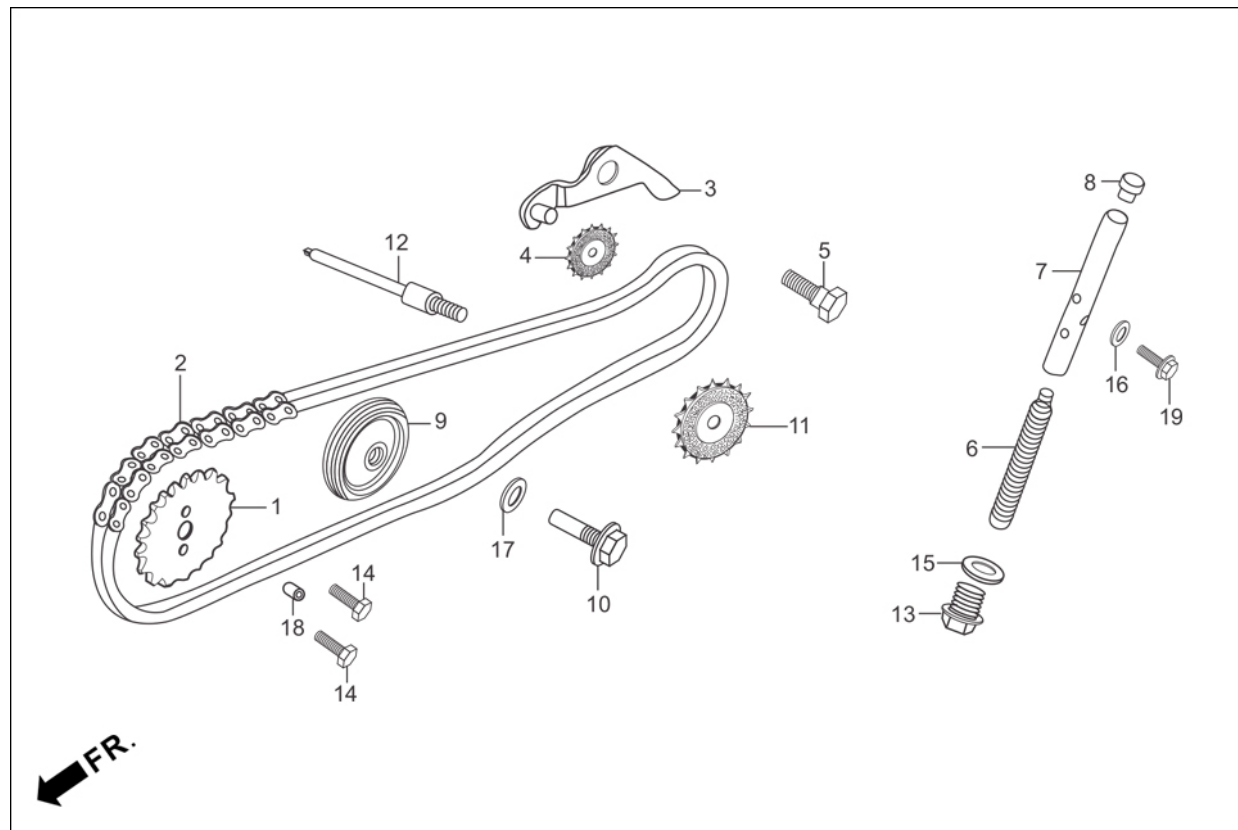


E-3 : CAM SHAFT / VALVE

Group Number: E-3 **Model ::** Passion Pro TR (July, 2014)

Ref No.	Part Number	Description	Req.
1	12209-GB4-685	SEAL, VALVE STEM	2
	12209-GB4-685	SEAL, VALVE STEM	2
2	14100-AAH-H41	SHAFT COMP CAM	1
3	14430-KST-940	ARM COMP., VALVE ROCKER	2
4	14451-KST-940	SHAFT, ROCKER ARM	2
5	14711-GN5-90099	VALVE INLET	1
6	14721-AAE-H10	VALVE, EXHAUST	1
7	14751-GBG-900	SPRING, VALVE OUTER	2
8	14761-GBG-900	SPRING, VALVE INNER	2
9	14771-GB4-680	RETAINER, VALVE SPRING	2
10	14775-MA6-000	SEAT, VALVE SPRING OUTER	2
	14775-MA6-000	SEAT, VALVE SPRING OUTER	2
11	14781-MA6-000	COTTER, VALVE	4
	14781-MA6-000	COTTER, VALVE	4
12	90012-333-000R	SCREW, TAPPET ADJUSTING	2
	90012-333-000R	SCREW, TAPPET ADJUSTING	2
13	90206-001-000	NUT, TAPPET ADJUSTING	2
	90206-001-000	NUT, TAPPET ADJUSTING	2

E-4 : CAM CHAIN TENSIONER



E-4 : CAM CHAIN TENSIONER

Group Number: E-4 **Model ::** Passion Pro TR (July, 2014)

Ref No.	Part Number	Description	Req.
1	14321-AAD-200	SPROCKET CAM	1
2	14401-AAD-00099	CAM CHAIN	1
3	14500-035-020	ARM COMP. ,CAM CHAIN TENSIONER	1
4	14502-086-000R	ROLLER, CAM CHAIN TENSIONER	1
5	14531-035-000	PIVOT, CAM CHAIN TENSIONER	1
6	14541-GB4-681	SPRING, TENSIONER	1
7	14550-GB0-910R	PUSH ROD, COMP., TENSIONER	1
8	14566-086-030	HEAD.TENS.PUSH ROD	1
9	14610-086-000R	ROLLER COMP., CAM CHAIN GUIDE	1
10	14615-035-010	PIN, GUIDE ROLLER	1
11	14670-035-030L	SPROCKET, CAM CHAIN GUIDE	1
12	14675-178-000	SPINDLE, CAM CHAIN GUIDE SPROCKET	1
13	90081-035-000	BOLT, SEALING, 14 MM	1
14	90083-KVH-900	BOLT, KNOCK, 5 MM	2
15	90441-035-000	WASHER, SEALING, 14 MM	1
16	90461-357-000	WASHER, SEALING, 12 MM	1
17	90481-035-000	WASHER, 8 MM	1
18	90702-GB6-910	PIN, DOWEL,8 X 12	1
	90702-GB6-910	PIN, DOWEL,8 X 12	1
19	96001-06018-00	BOLT, FLANGE, 6 X 18	1

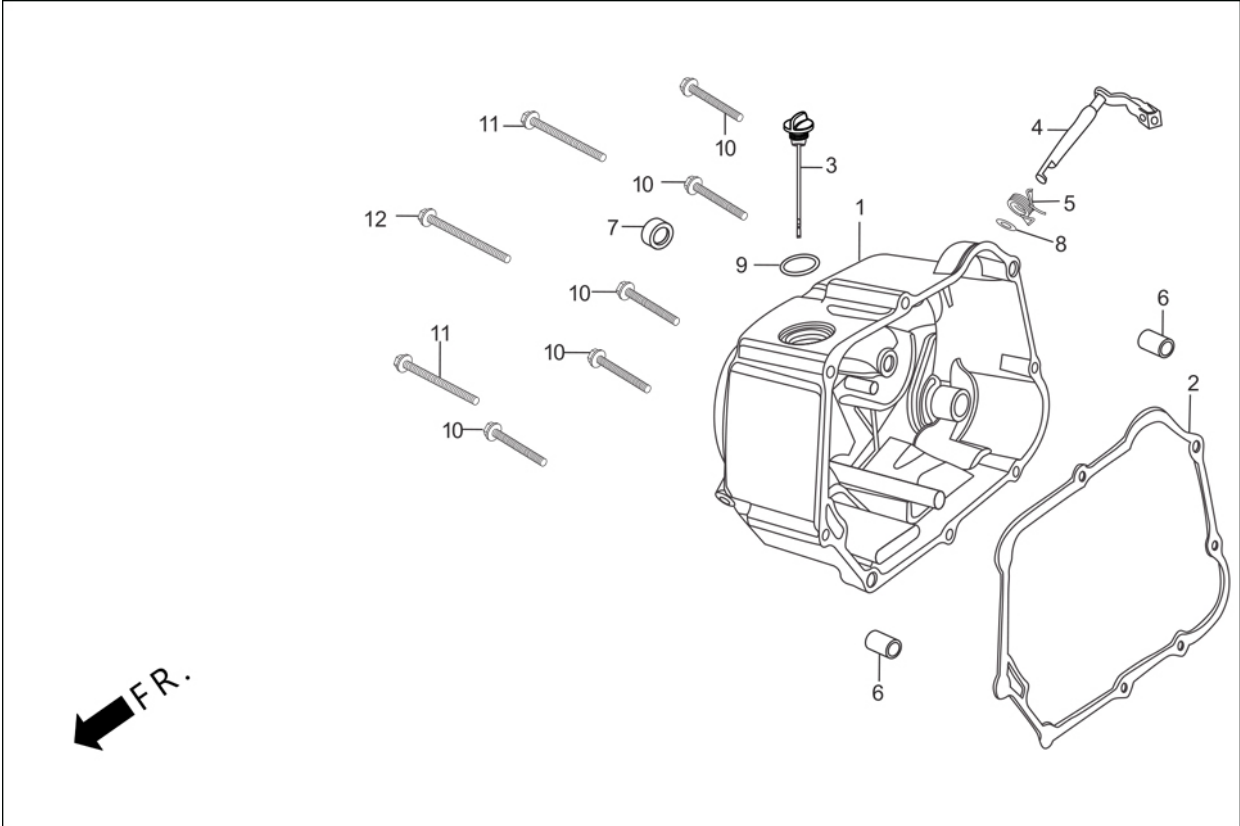
E-4 : CAM CHAIN TENSIONER

96001-06018-00

BOLT, FLANGE, 6 X 18

1

E-5 : RIGHT CRANK CASE COVER

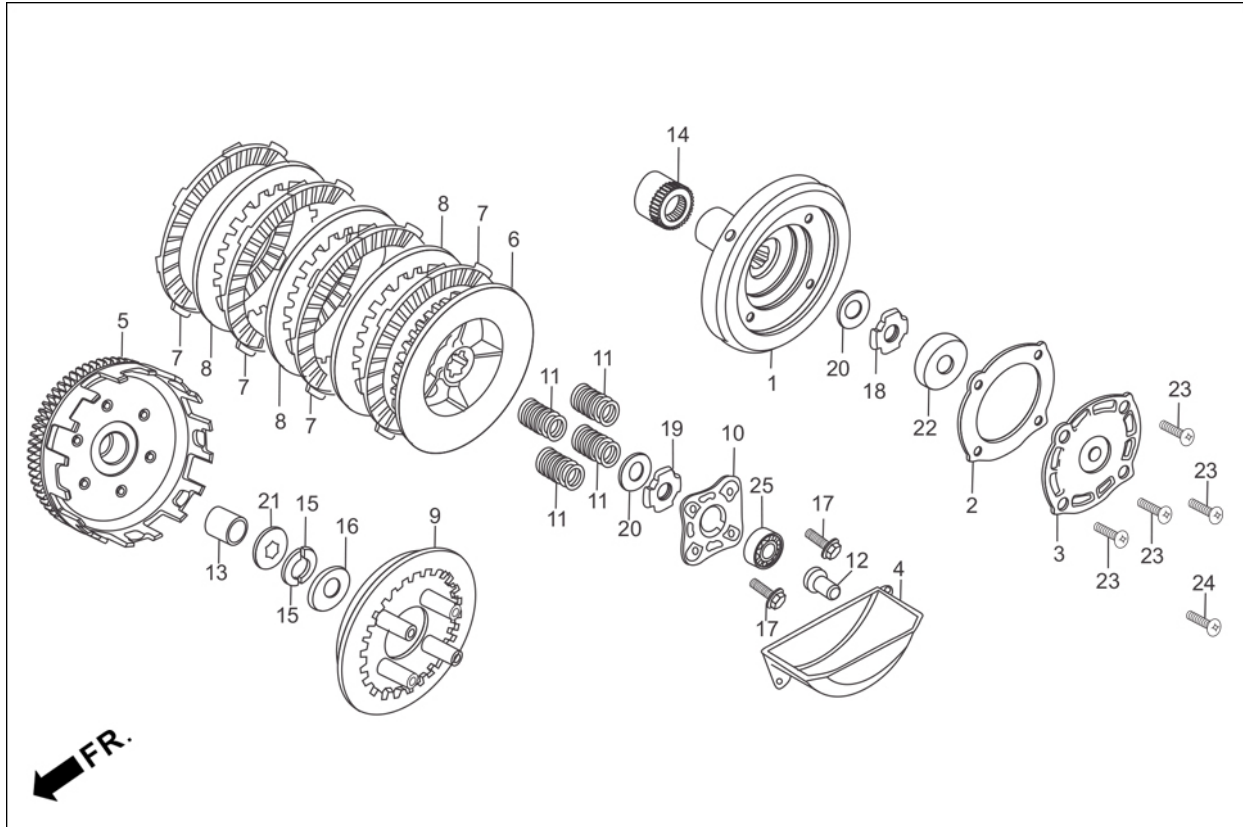


E-5 : RIGHT CRANK CASE COVER

Group Number: E-5 **Model ::** Passion Pro TR (July, 2014)

Ref No.	Part Number	Description	Req.
1	11330-AAC-H00	COVER COMP,R CRANK CASE	1
2	11394-AAH-00099	GASKET R CRANK CASE COVER	1
3	15650-AAC-H00	GAUGE OIL LEVEL	1
4	22810-198-000	LEVER COMP.,CLUTCH	1
5	22815-166-000	SPRING, CLUTCH LEVER	1
	22815-166-000	SPRING, CLUTCH LEVER	1
6	90702-GB6-910	PIN, DOWEL,8 X 12	2
	90702-GB6-910	PIN, DOWEL,8 X 12	2
7	91202-302-010	OIL SEAL, 13.8 X 24 X 5	1
8	91303-719-000	O-RING,9 MM	1
	91303-719-000	O-RING,9 MM	1
9	91307-035-000	O-RING,18 X 3	1
	91307-035-000	O-RING,18 X 3	1
10	96001-06040-00	BOLT, FLANGE, SH. 6 X 40	5
	96001-06040-00	BOLT, FLANGE, SH. 6 X 40	5
11	96001-06065-00	BOLT, FLANGE, SH. 6 X 65	2
12	96001-06080-00	BOLT, FLANGE, SH. 6 X 80	1

E-6 : CLUTCH



E-6 : CLUTCH

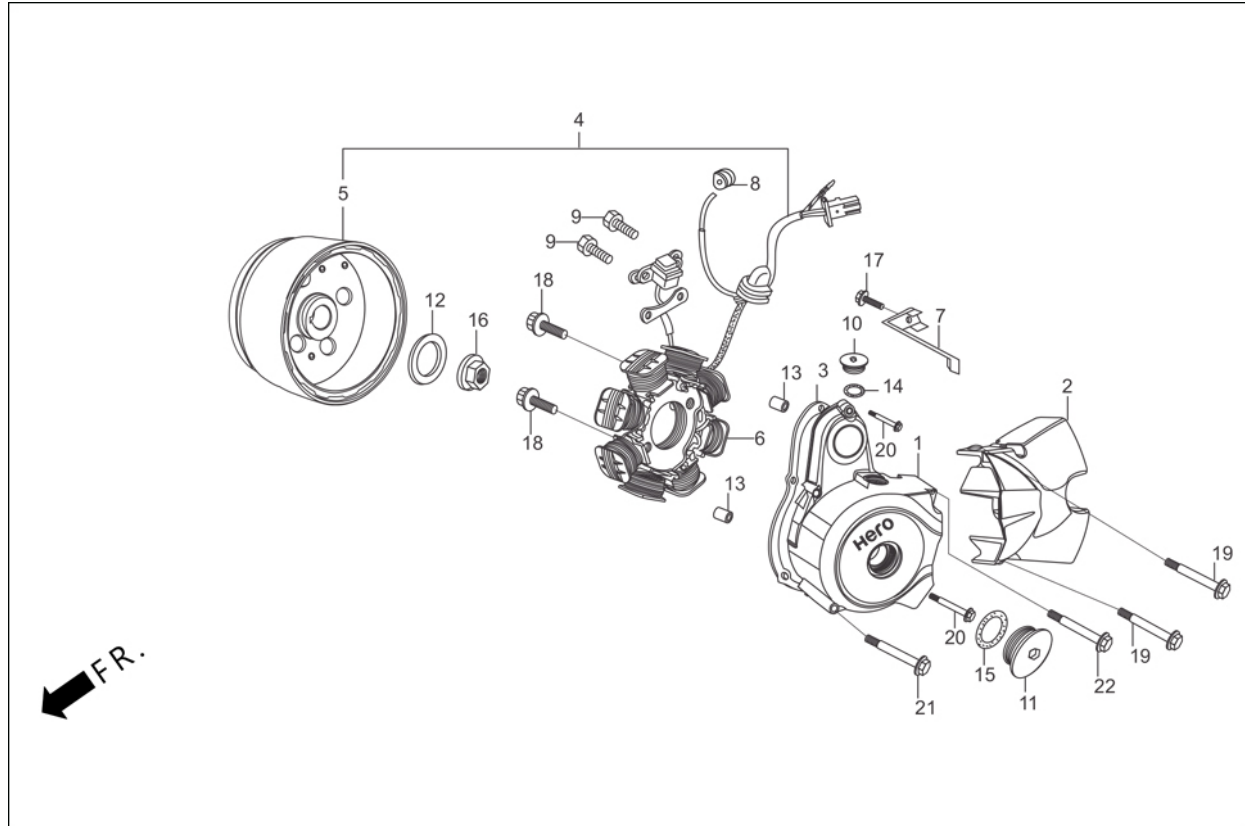
Group Number: E-6 **Model ::** Passion Pro TR (July, 2014)

Ref No.	Part Number	Description	Req.
1	15431-198-000	ROTOR, OIL FILTER	1
2	15439-AAH-00099	GASKET ROTOR OIL FILTER	1
3	15441-198-000	COVER, OIL FILTER ROTOR	1
4	15661-198-000	PLATE, OIL SEPARATOR	1
5	22110-AAH-H40	OUTER COMP.CLUTCH	1
6	22121-198-900	CENTER, CLUTCH	1
7	22201-GF6-000	DISC, CLUTCH FRICTION	4
8	22311-107-000	PLATE, CLUTCH	3
9	22350-115-020	PLATE, CLUTCH PRESSURE	1
10	22361-KST-940	PLATE, CLUTCH LIFTER	1
11	22401-GF6-000	SPRING, CLUTCH	4
12	22847-KCC-900	ROD, CLUTCH LIFTER	1
	22847-KCC-900	ROD, CLUTCH LIFTER	1
13	23112-AAJ-H10	COLLAR DRIVEN GEAR	1
14	23121-KST-901	GEAR , PRIMARY DRIVE (18T)	1
15	23216-GF6-000	COTTER, MAINSHAFT	2
16	23217-GF6-000L	SET RING MAIN SHAFT	1
17	90050-KFL-850	SPECIAL BOLT FLANGE 6 X 25	2
18	90231-087-010	NUT, LOCK, 14 MM	1
	90231-087-010	NUT, LOCK, 14 MM	1

E-6 : CLUTCH

19	90231-198-000	NUT B LOCK ,14MM	1
20	90432-086-000	WASHER `B LOCK	2
	90432-086-000	WASHER `B LOCK	2
21	90461-GF6-000	WASHER, SPLINE, 17 MM	1
22	91205-350-000	OIL SEAL , 6 X 25 X 6	1
23	93600-05012-1H	SCREW, FLAT, 5 X 12	4
24	93600-05012-1H	SCREW, FLAT, 5 X 12	1
25	96100-60010-00	BEARING , RADIAL BALL , 6001	1
	96100-60010-00	BEARING , RADIAL BALL , 6001	1

E-7A-SELF : LEFT CRANKCASE COVER / A.C. GEN. ASSY. (SELF START)



E-7A-SELF : LEFT CRANKCASE COVER / A.C. GEN. ASSY. (SELF START)

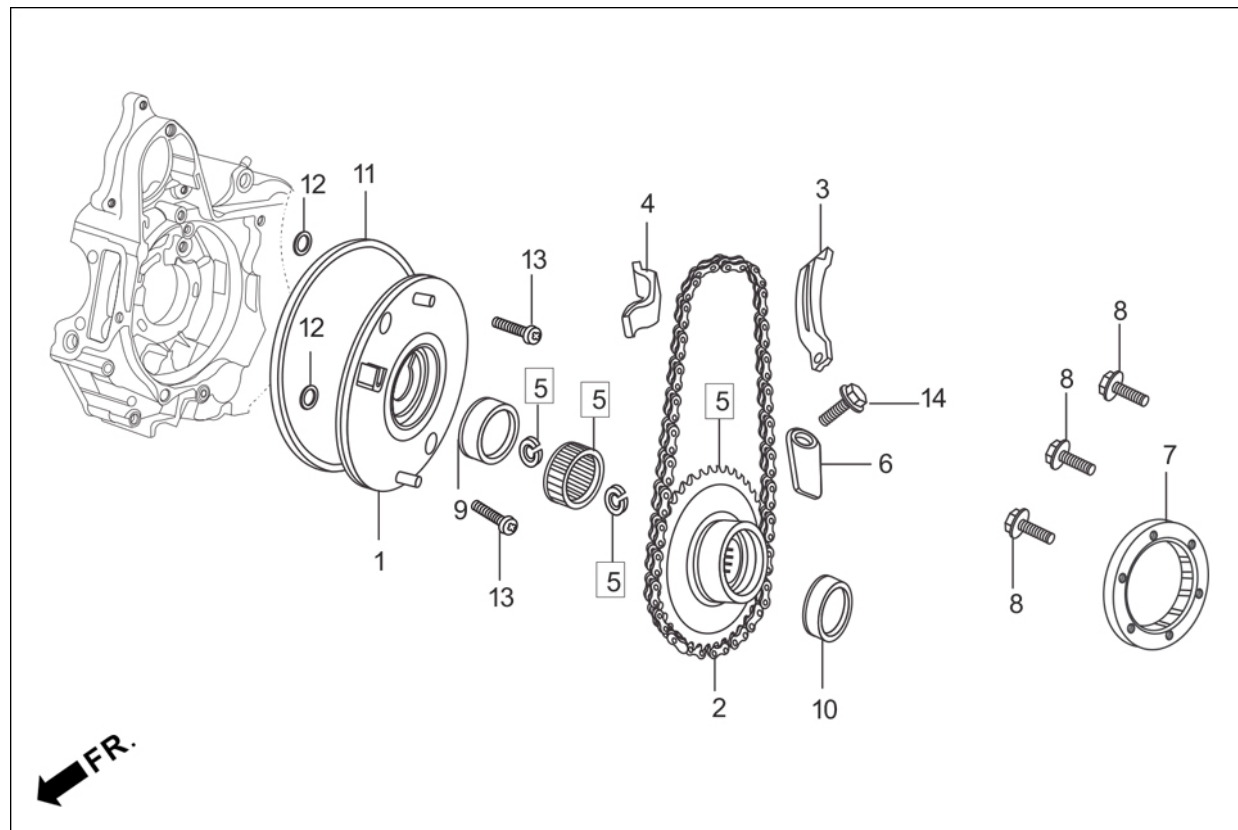
Group Number: E-7A-SELF Model :: Passion Pro TR (July, 2014)

Ref No.	Part Number	Description	Req.
1	11341-AAC-010	COVER LCRANK CASE	1
2	11360-KWA-930	COVER RR L CRANK CASE	1
3	11395-AAH-000	GASKET L CRANK CASE COVER	1
4	31100-AAC-211	A.C.GEN. ASSY.	1
5	31110-AAC-211	FLYWHEEL, COMP	1
6	31120-AAC-201	STATOR, COMP	1
7	32961-KST-940	CLAMPER ACG CORD	1
8	32981-GB4-780	GORMMET NEUTRAL SWITCH CORD	1
9	90083-KVH-900	BOLT, KNOCK, 5 MM	2
10	90084-KWA-930	CAP 14 MM	1
	90084-KWA-930	CAP 14 MM	1
11	90087-KWA-930	CAP 30MM	1
12	90410-HC4-000	WASHER ,10MM	1
13	90702-GB6-910	PIN, DOWEL,8 X 12	2
	90702-GB6-910	PIN, DOWEL,8 X 12	2
14	91303-377-000	O-RING, 13.8 X 2.5	1
	91303-377-000	O-RING, 13.8 X 2.5	1
15	91356-KGH-901	O-RING, 30 MM	1
16	94050-10000	NUT, FLANGE, 10MM	1
	94050-10000	NUT, FLANGE, 10MM	1

E-7A-SELF : LEFT CRANKCASE COVER / A.C. GEN. ASSY. (SELF START)

17	96001-06016-00	BOLT, FLANGE SH. 6 X 16	1
18	96001-06020-00	BOLT, FLANGE, SH. 6 X 20	2
19	96001-06028-00	BOLT, FLANGE, SH. 6X28	2
20	96001-06032-00	BOLT, FLANGE, SH., 6 X 32	2
21	96001-06050-00	BOLT, FLANGE, SH. 6 X 50	1
22	96001-06070-00	BOLT, FLANGE, SH., 6X70	1

E-7B-SELF : STARTING CLUTCH

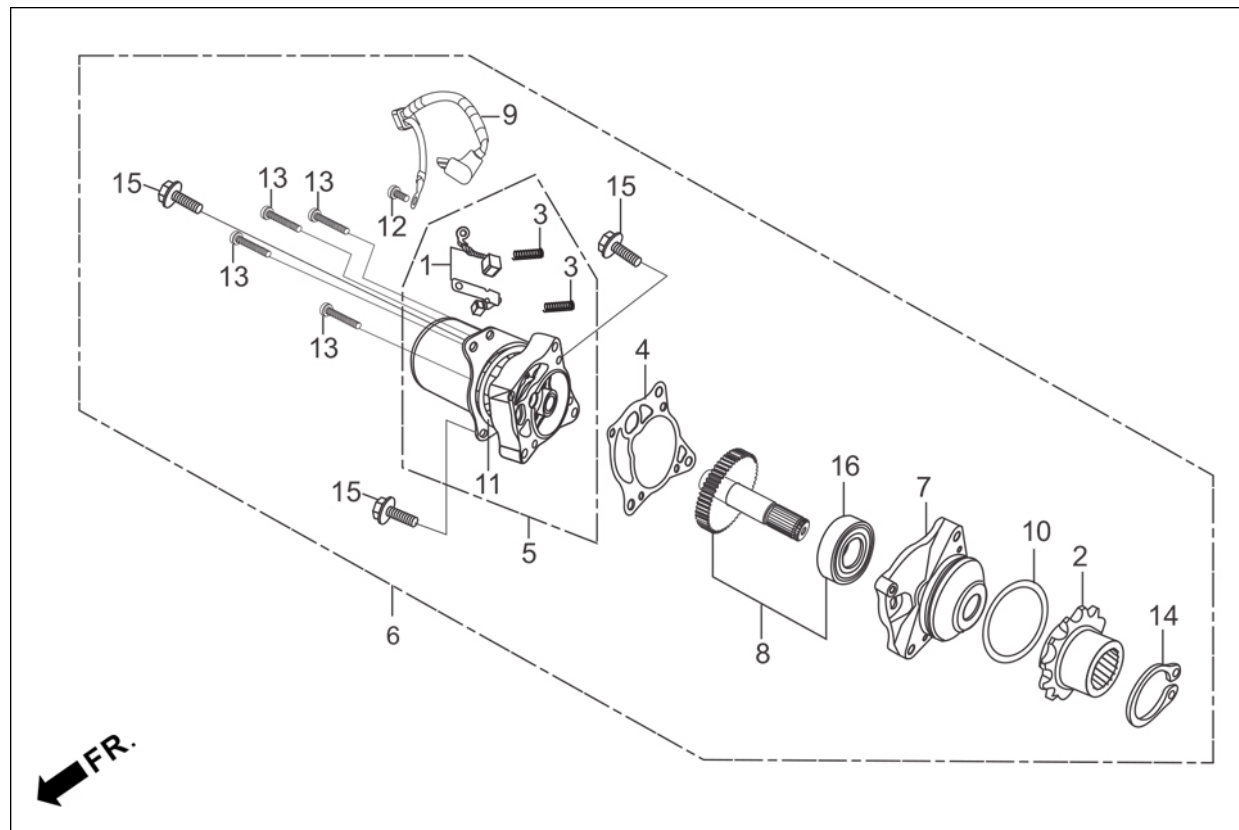


E-7B-SELF : STARTING CLUTCH

Group Number: E-7B-SELF Model :: Passion Pro TR (July, 2014)

Ref No.	Part Number	Description	Req.
1	11321-KWA-940	PLATE OIL SEPARATE	1
2	28101-KWA-940	CHAIN STARTING	1
3	28102-KWA-940	GUIDE STARTER CHAIN	1
4	28103-GB4-700	PROTECTOR STARTER CHAIN	1
5	28110-AAD-H40	SPROCKET COMP. STARTING	1
6	28117-KFL-850	SET PLATE STARTING SPROKET	1
7	28120-KWA-942	OUTER COMP. STARTING CLUTCH	1
8	90085-KWA-940	BOLT, SOCKET 6MM	3
9	91201-GBG-900	OIL SEAL 30×42×4.5	1
10	91204-GBG-850	OIL SEAL 18.9×28×5	1
11	91301-035-000	O RING, 107 X2	1
12	91317-171-000	O RING, 6 X 1.7	2
13	93600-06016-0A	SCREW, FLAT, 6X16	2
14	96001-06010-00	BOLT FLANGE SH. 6×10	1

E-7C-SELF : STARTER MOTOR

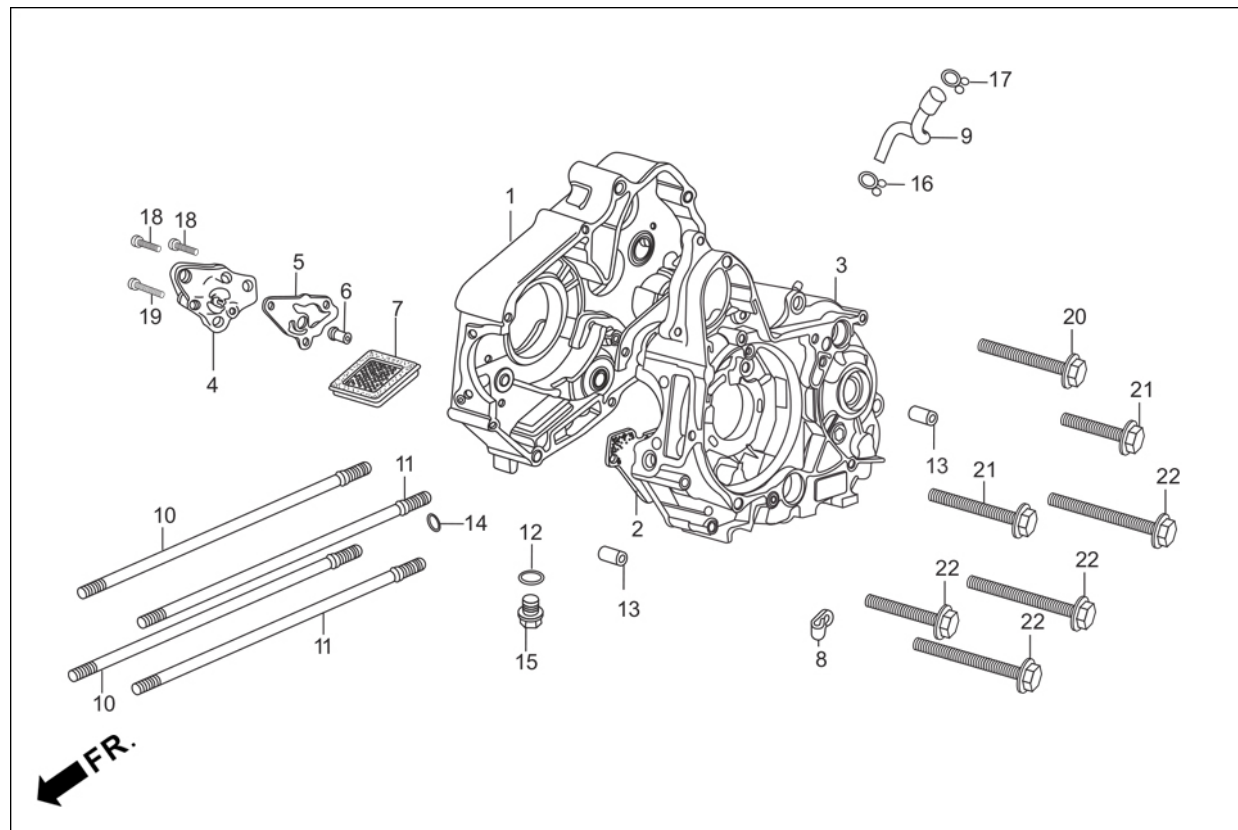


E-7C-SELF : STARTER MOTOR

Group Number: E-7C-SELF Model :: Passion Pro TR (July, 2014)

Ref No.	Part Number	Description	Req.
1	31201-KG8-004	BUSH SET	1
2	31202-GB2-700L	SPROCKET	1
3	31204-KG8-004	BRUSH, SPRING	2
4	31205-KWA-941	PACKING	1
5	31208-KWA-941	MOTOR ONLY	1
6	31210-KWA-94099	MOTOR UNIT START	1
	31210-KWA-94099	MOTOR UNIT START	1
7	31211-KWA-941	CASE A FRONT	1
8	31213-KWA-941	GEAR COMP.DRIVEN	1
9	32410-KVH-871	SUB HARNESS A	1
10	91308-KWA-941	O RING A	1
11	91309-KWA-941	O RING B	1
12	93892-04006-08L	SCREW WASH 4X6	1
13	93892-05030-08L	SCREW, WASH., 5X30	4
14	94510-12000L	CIRCLIP, EXTERNAL, 12 MM	1
15	96001-06045-00	BOLT, FLANGE, SH. 6 X 45	3
	96001-06045-00	BOLT, FLANGE, SH. 6 X 45	3
16	96120-60010-10L	BEARING, BALL RADIAL	1

E-8 : CRANK CASE / OIL PUMP



E-8 : CRANK CASE / OIL PUMP

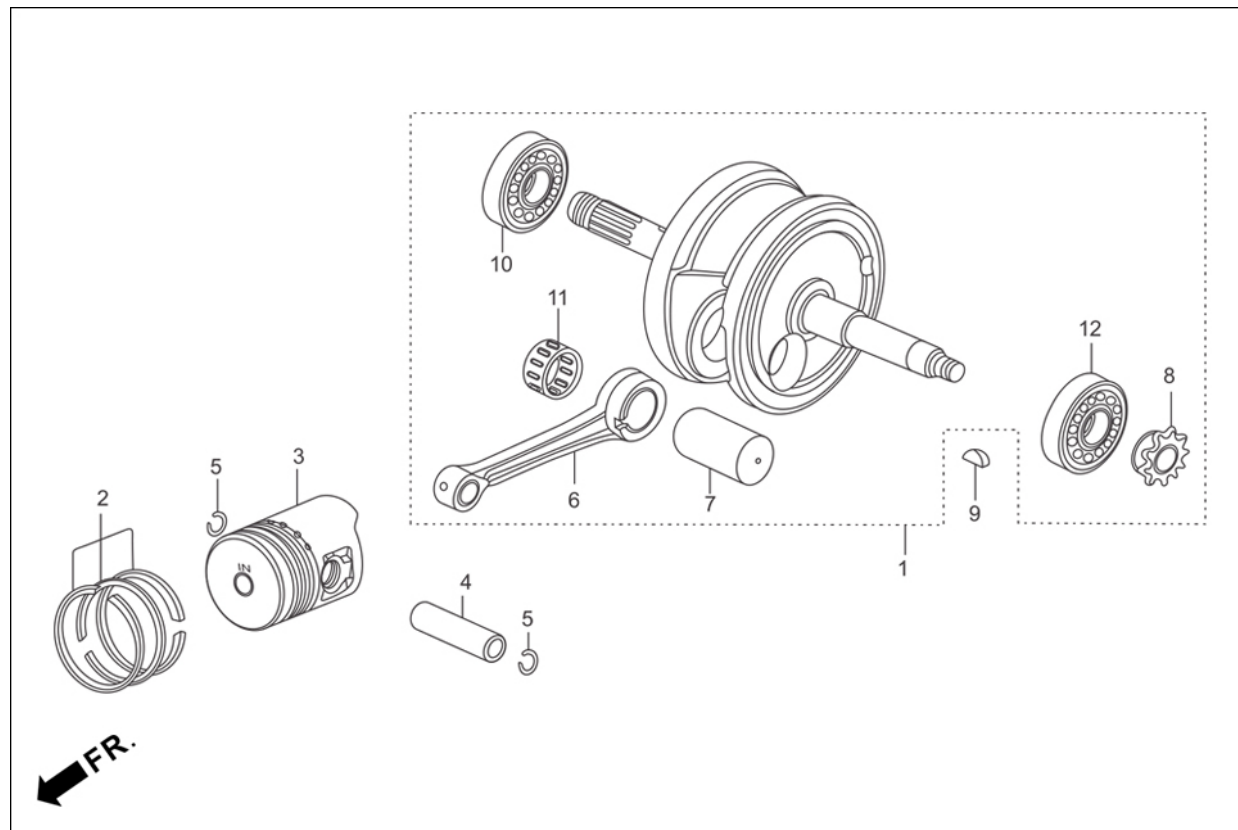
Group Number: E-8 **Model ::** Passion Pro TR (July, 2014)

Ref No.	Part Number	Description	Req.
1	11100-KWA-900	CRANK CASE COMP., R(BLACK)	1
2	11191-AAH-00099	GASKET CRANK CASE	1
3	11200-KWA-941	CRANK CASE COMP.,L (BLK)	1
4	15100-KCC-900	PUMP ASSY.,OIL	1
5	15119-178-000	GASKET, OIL PUMP BODY	1
6	15384-178-000	PIVOT, OIL PUMP	1
7	15421-035-010	SCREEN, OIL FILTER	1
	15421-035-010	SCREEN, OIL FILTER	1
8	16236-045-010	CLAMPER, OVER FLOW PIPE	1
9	17371-KWA-940	TUBE BREATHER	1
10	90031-GF6-000R	BOLT A, CYLINDER STUD, 6 X 198 X 7	2
11	90032-GF6-000R	BOLT B, CYLINDER STUD, 6 X 205.5 X 7	2
12	90407-259-000	DRAIN COCK PACKING	1
	90407-259-000	DRAIN COCK PACKING	1
13	90703-HC4-000	DOWEL PIN, 10X14	2
14	91303-GF6-000	PACKING ,RUBBER ,16MM	1
15	92800-12000-00	DRAIN PLUG BOLT	1
	92800-12000-00	DRAIN PLUG BOLT	1
16	95002-02100	CLIP, B-10 TUBE	1
17	95002-80000	CLIP,C12 TUBE	1

E-8 : CRANK CASE / OIL PUMP

18	96001-06016-00	BOLT, FLANGE SH. 6 X 16	2
19	96001-06025-00	BOLT, FLANGE, SH. 6 X 25	1
20	96001-06050-00	BOLT, FLANGE, SH. 6 X 50	1
21	96001-06060-00	BOLT, FLANGE, SH. 6 X 60	2
22	96001-06065-00	BOLT, FLANGE, SH. 6 X 65	4

E-9 : CRANK SHAFT / PISTON



E-9 : CRANK SHAFT / PISTON

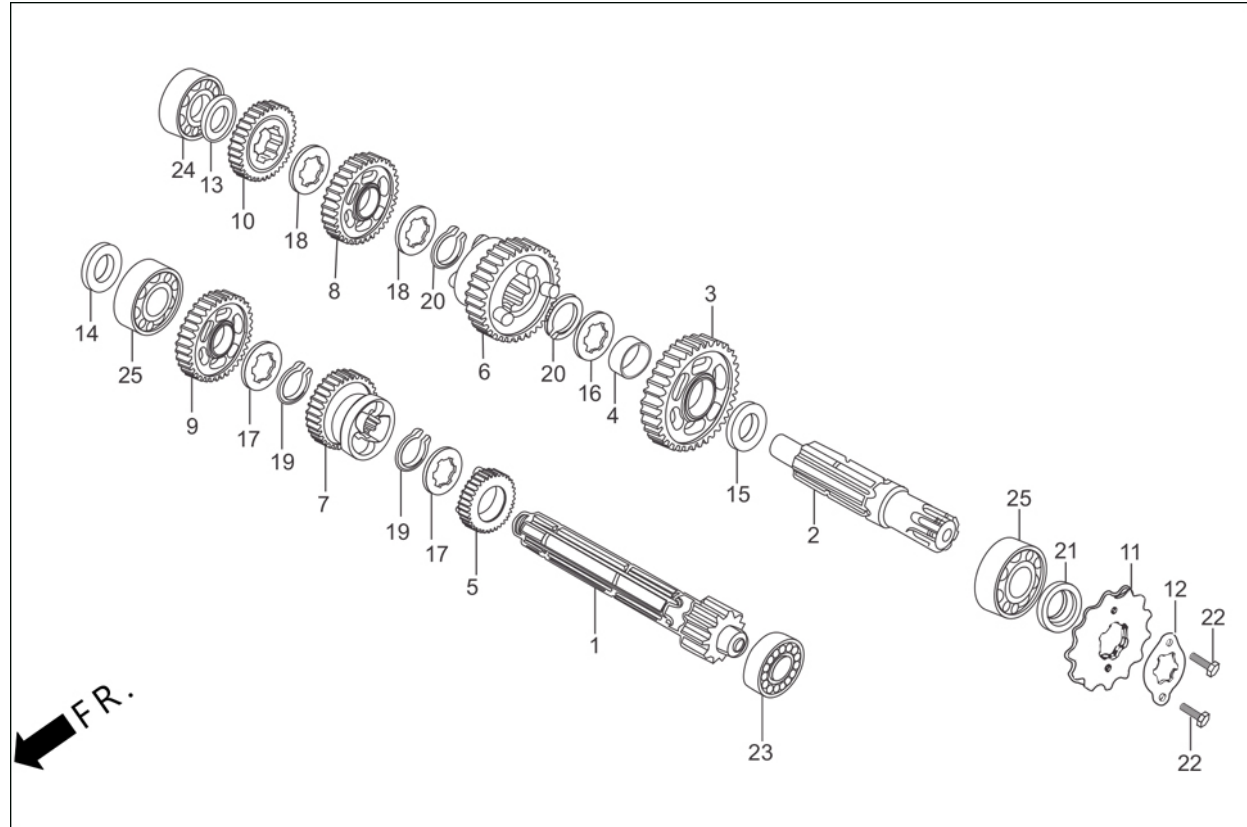
Group Number: E-9 **Model ::** Passion Pro TR (July, 2014)

Ref No.	Part Number	Description	Req.
1	13000-AAF-000	CRANK SHAFT COMP	1
2	13011-AAF-00099	RING SET PISTON	1
	13012-AAF-00099	RING SET PISTON (O/S 0.25)	1
	13013-AAF-00099	RING SET PISTON (O/S 0.50)	1
	13014-AAF-00099	RING SET PISTON (O/S 0.75)	1
	13015-AAF-00099	RING SET PISTON (O/S 1.00)	1
3	13101-AAF-00099	PISTON	1
	13102-AAF-00099	PISTON (O/S 0.25)	1
	13103-AAF-00099	PISTON (O/S 0.50)	1
	13104-AAF-00099	PISTON (O/S 0.75)	1
	13105-AAF-00099	PISTON (O/S 1.00)	1
5	13111-087-000	PIN, PISTON	1
	13111-087-000	PIN, PISTON	1
4	13115-001-000	CLIP, PISTON PIN	2
	13115-001-000	CLIP, PISTON PIN	2
6	13201-GF6-300	ROD, CONECTING	1
7	13381-KCC-900L	PIN CRANK	1
8	14311-035-000	SPROCKET TIMING	1
9	90741-KFB-000	KEY,WOODRUFF,4 MM	1
	90741-KFB-000	KEY,WOODRUFF,4 MM	1

E-9 : CRANK SHAFT / PISTON

10	91101-AAF-000	BEARING CONNECTING ROD(RED)	1
11	91102-AAF-000	BEARING CONNECTING ROD(BLUE)	1
12	91103-AAF-000	BEARING CONNECTING ROD(WHITE)	1

E-10 : TRANSMISSION



E-10 : TRANSMISSION

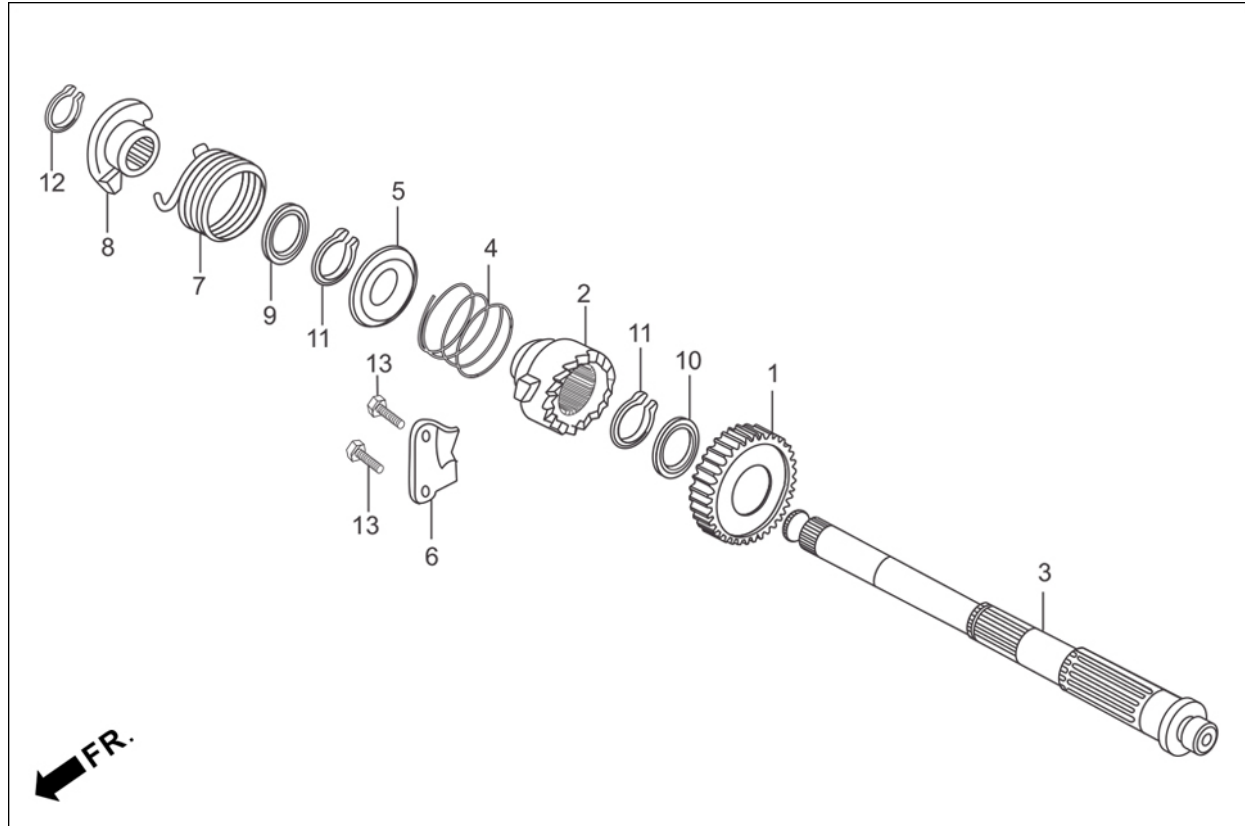
Group Number: E-10 **Model ::** Passion Pro TR (July, 2014)

Ref No.	Part Number	Description	Req.
1	23211-GF6-000	MAIN SHAFT (11T)	1
2	23221-GF6-000	COUNTER SHAFT	1
3	23421-GB4-770	GEAR, COUNTER SHAFT LOW (35T)	1
4	23422-GB4-770	BUSH, 20 X 9	1
5	23431-GN5-910	GEAR, MAIN SHAFT SECOND (17T)	1
6	23441-GB4-770	GEAR, COUNTER SHAFT SECOND (29T)	1
7	23451-GK4-761	GEAR, M3 21T	1
8	23461-GK4-760	GEAR, COUNTER SHAFT THIRD (26T)	1
9	23471-GN5-910	GEAR, MAIN SHAFT FOURTH (24T)	1
10	23481-HF7-000	GEAR, COUNTER SHAFT FOURTH (23T)	1
11	23801-178-000	SPROCKET, DRIVE, (14T)	1
12	23802-040-000	PLATE, DRIVE SPROCKET FIXING	1
13	90451-GF6-000	WASHER THRUST 12MM	1
14	90451-198-000	WASHER, THRUST, 17 MM	1
15	90452-GB4-770	WASHER, THRUST, 17MM	1
	90452-GB4-770	WASHER, THRUST, 17MM	1
16	90461-GB4-770	WASHER, SPLINE, 20 X 1.2	1
	90461-GB4-770	WASHER, SPLINE, 20 X 1.2	1
17	90461-035-000	WASHER, SPLINE, 17 MM	2
18	90461-459-000	WASHER, SPLINE, 20 MM	2

E-10 : TRANSMISSION

19	90601-001-000	CIRCLIP 17MM	2
	90601-001-000	CIRCLIP 17MM	2
20	90601-459-000	CIRCLIP, 20 MM	2
21	91203-GB5-760	OIL SEAL, 17 X 29 X 5	1
22	92000-06008-0H	BOLT HEX., 6 X 8	2
23	96100-60010-00	BEARING , RADIAL BALL , 6001	1
	96100-60010-00	BEARING , RADIAL BALL , 6001	1
24	96100-62010-00	BEARING, RADIAL BALL, 6201	1
	96100-62010-00	BEARING, RADIAL BALL, 6201	1
25	96100-62030-00	BEARING, RADIAL BALL, 6203	2
	96100-62030-00	BEARING, RADIAL BALL, 6203	2

E-11 : KICK STARTER

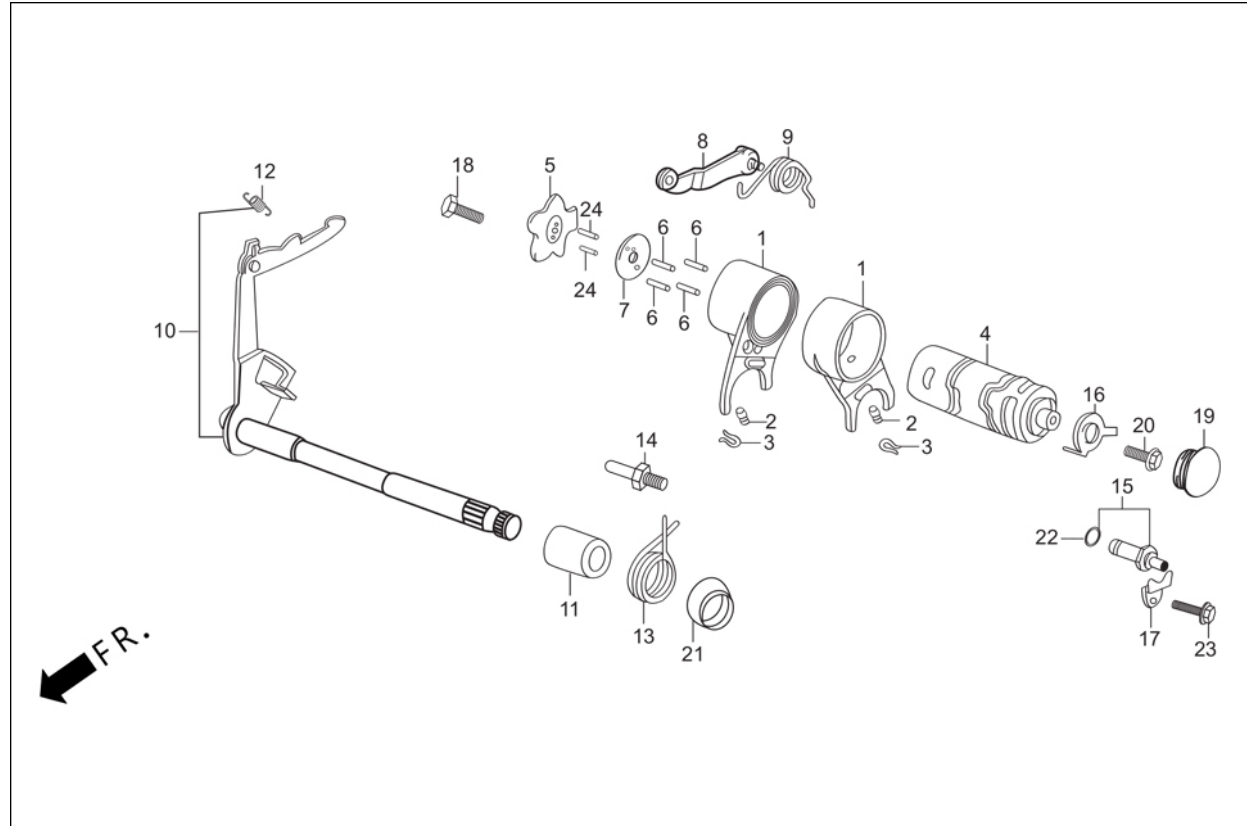


E-11 : KICK STARTER

Group Number: E-11 **Model ::** Passion Pro TR (July, 2014)

Ref No.	Part Number	Description	Req.
1	28211-AAF-000	PINION KICK STARTER	1
2	28221-198-010	RATCHET,KICK STARTER	1
3	28251-GF6-000	SPINDLE, KICK STARTER	1
4	28253-397-000	SPRING, KICK STARTER RATCHET	1
5	28254-198-000	RETAINER, RATCHET SPRING	1
6	28256-198-000	PLATE ,RATCHET GUIDE	1
7	28261-198-000	SPRING, KICK STARTER	1
8	28262-198-000	RETAINER, KICK SPRING	1
9	90452-115-000	WASHER ,17MM	1
10	90454-107-000	WASHER ,THRUST, 20MM	1
	90454-107-000	WASHER ,THRUST, 20MM	1
11	90601-459-000	CIRCLIP, 20 MM	2
12	94510-16000	CIRCLIP, EXTERNAL, 16 MM	1
	94510-16000	CIRCLIP, EXTERNAL, 16 MM	1
13	95701-06020-00	BOLT, FLANGE, 6X20	2
	95701-06020-00	BOLT, FLANGE, 6X20	2

E-12 : GEAR SHIFT



E-12 : GEAR SHIFT

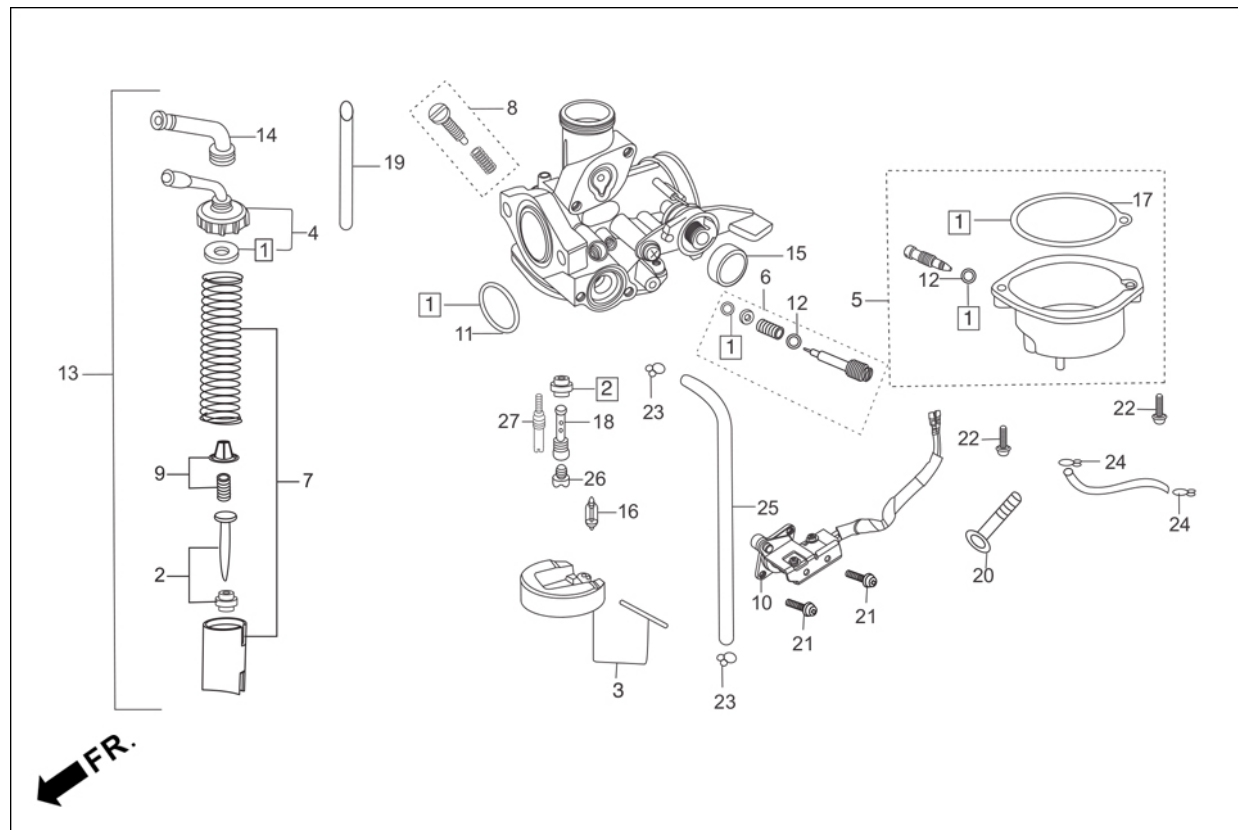
Group Number: E-12 **Model ::** Passion Pro TR (July, 2014)

Ref No.	Part Number	Description	Req.
1	24211-GF6-000R	FORK, GEARSHIFT	2
2	24261-121-742	PIN, GEARSHIFT FORK GUIDE	2
3	24263-028-000	CLIP, GEARSHIFT FORK GUIDE PIN	2
4	24301-KWA-930	DRUM GEAR SHIFT	1
5	24411-198-900	PLATE, SHIFT DRUM STOPPER	1
6	24421-200-000	PIN, GEAR SHIFT DRUM	4
7	24425-198-900	PLATE, SHIFT DRUM SIDE	1
8	24430-KST-900	ARM COMP., SHIFT DRUM STOPPER	1
9	24435-GB4-770	SPRING SHIFTDROM STPR.	1
10	24610-KST-940	SPINDLE COMP., GEAR SHIFT	1
11	24639-035-000L	COLLAR 12.2 MM	1
12	24641-041-000	SPRING ,GEAR SHIFT ARM	1
13	24651-035-000L	SPRING GEARSHIFT REU	1
14	24652-035-000	PIN, SHIFT RETURN SPRING	1
15	35750-001-000	CONTACT ASSY., NEUTRAL SWITCH	1
16	35753-035-010	ROTOR, NEUTRAL SWITCH	1
17	35755-001-000	PLATE, CONTACT FIXING	1
18	90071-171-010	BOLT, KNOCK, 6 MM	1
19	90801-035-000	PLUG, RUBBER, 19MM	1
20	90022-GFP-900	BOLT WASHER 6×16	1

E-12 : GEAR SHIFT

21	91208-KB4-670	OIL SEAL, 11.6 X 24 X 10	1
22	91312-107-000	O -RING, 7 X 1.7	1
23	96001-06012-00	BOLT,FLANGE,SH,.6 X 12	1
	96001-06012-00	BOLT,FLANGE,SH,.6 X 12	1
24	96220-30085	ROLLER, 3 X 8.5	2
	96220-30085	ROLLER, 3 X 8.5	2

E-13 : CARBURETTOR



E-13 : CARBURETTOR

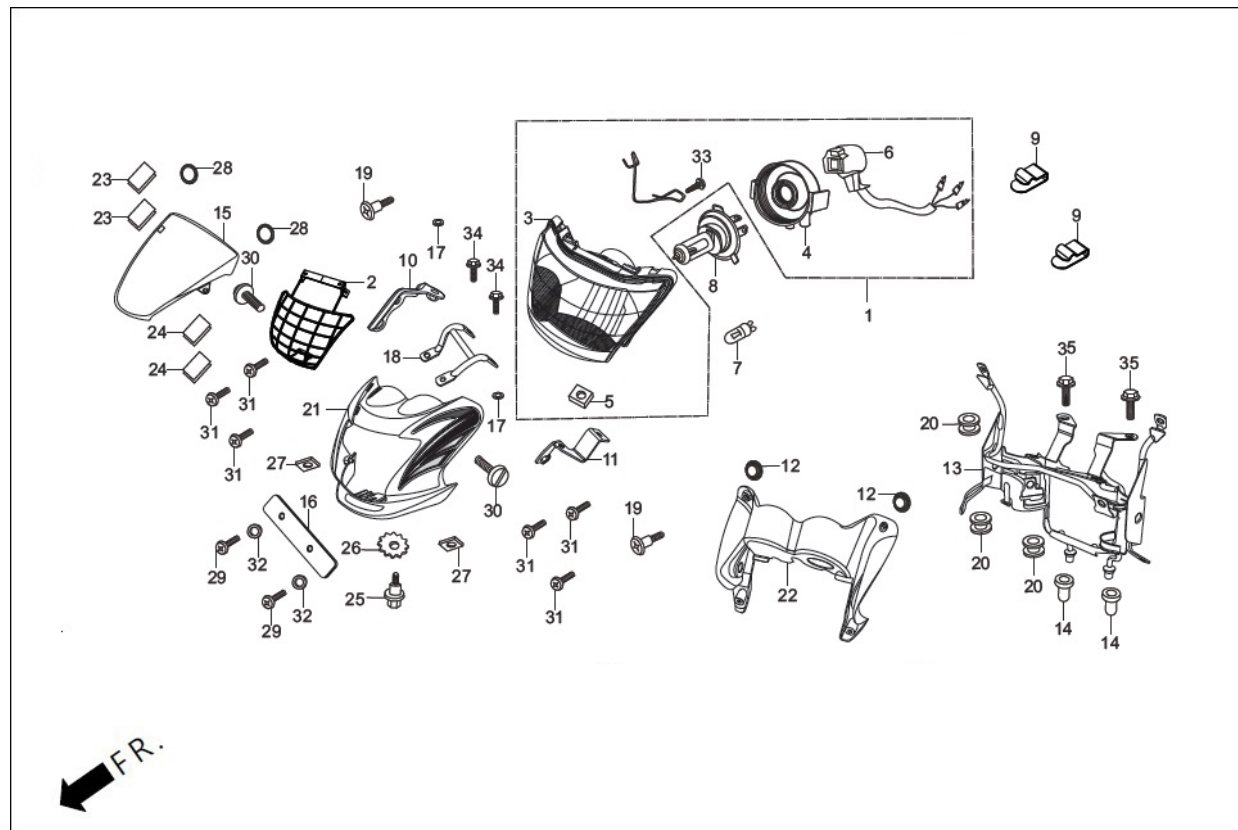
Group Number: E-13 **Model ::** Passion Pro TR (July, 2014)

Ref No.	Part Number	Description	Req.
1	16010-KWA-931	GASKET SET	1
2	16012-AAF-000	NEEDLE SET, JET	1
3	16013-KRB-901	FLOAT, SET	1
4	16014-KTR-A01	TOP SET	1
5	16015-KVW-921	CHAMBER SET, FLOAT	1
6	16016-KPH-651	SCREW SET	1
7	16022-KWA-931	VALVE SET THROTTLE	1
8	16028-KST-941	SCREW SET, B	1
9	16037-KPH-901	PLATE SET, VALVE	1
10	16060-KWA-933	SWITCH ASSY. THROTTLE	1
11	16075-KTC-901	O-RING	1
12	16076-KPL-901	O-RING	2
13	16100-AAC-401	CARBURETTOR ASSY.,	1
14	16118-KTR-A01	CAP, CABLE SEALING	1
15	16148-KPL-901	CAP,CHOKE LEVER DUST	1
16	16155-KRS-861	VALVE COMP., FLOAT	1
17	16163-GFP-901	GASKET FLOAT CHAMBER	1
18	16165-KWA-931	HOLDER NEEDLE JET	1
19	16199-KWA-931	TUBE AIR VENT	1
20	35701-KWA-931	BAND	1

E-13 : CARBURETTOR

21	93892-04010-10	SCREW, WASH, 4X10	2
22	93892-04014-18	SCREW, WASH, 4 X 14	2
23	95002-02089	CLIP, B1 8 TUBE	2
24	95002-02659	CLIP, B-1, 6.5 TUBE	2
25	95005-35260-50	TUBE OVERFLOW	1
26	99101-KWA-1050	JET, MAIN #105	1
27	99103-KTC-0350	JET, SLOW#35	1

F-1 : HEAD LIGHT / FR.VISOR



F-1 : HEAD LIGHT / FR.VISOR

Group Number: F-1 **Model ::** Passion Pro TR (July, 2014)

Ref No.	Part Number	Description	Req.
1	3310B-AAC-H00	LIGHT ASSY.HEAD(W/O BULB)	1
2	33104-AAC-300	GRILL HEAD LAMP	1
3	33120-AAC-H01	UNIT, HEAD LIGHT	1
4	33126-KCC-730	RUBBER COVER	1
5	33128-GBL-000	NUT, SPECIAL	1
6	33130-KWA-831	SOCKET COMP., HEAD LIGHT	1
7	33301-KVE-900	BULB, WEDGE BASE (T10, 12V-5W)	1
	33301-KVE-900	BULB, WEDGE BASE (T10, 12V-5W)	1
8	34901-KSP-910	BULB, HEAD LIGHT	1
	34901-KSP-910	BULB, HEAD LIGHT	1
9	53209-GAH-000	CLIP, HEADLIGHT	2
	53209-GAH-000	CLIP, HEADLIGHT	2
10	61302-KWA-830	STAY, R FR. SCREEN	1
11	61303-KWA-830	STAY, L FR. SCREEN	1
12	61306-KWA-940	PLUG PANNEL SET	2
13	61311-AAC-300	STAY, FR. VISOR	1
14	61312-149-300	BOOT, HEADLIGHT BRACKET	2
	61312-149-300	BOOT, HEADLIGHT BRACKET	2
15	64100-AAC-300	SET, WIND SCREEN	1
16	64310-198-D20A	PLATE, FRONT NUMBER	1

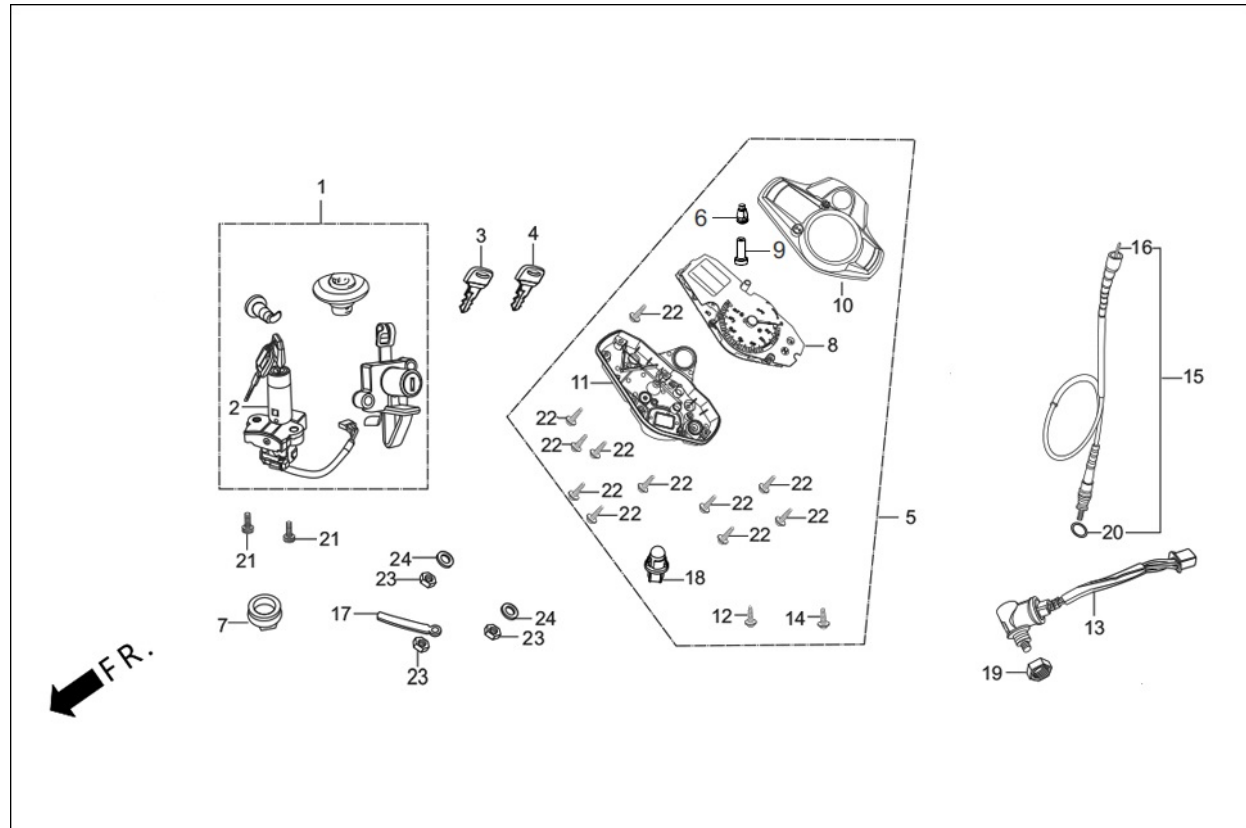
F-1 : HEAD LIGHT / FR.VISOR

	64310-198-D20A	PLATE, FRONT NUMBER	1
17	94101-04000	WASHER, PLAIN 4 MM	2
18	64316-KWA-940	STAY FRONT VISOR LOWER	1
19	91509-GE2-760	SCREW, WASHER, 5 X 11.5	2
20	80101-443-000	RUBBER, RR. FENDER CUSHION	3
	80101-443-000	RUBBER, RR. FENDER CUSHION	3
21	83400-AAC-300R	SET, FR.VISOR(TBM,BL-002M)	1
	83400-AAC-300S	SET, FR.VISOR(SRD,R-321)	1
	83400-AAC-300T	SET, FR.VISOR(BLK,NH-1)	1
22	83402-KWA-830	PANNEL, INNER	1
23	83405-KWA-830	CUSHION FRONT VISOR	2
24	83407-KWA-830	CUSHION, FR.VISOR	2
	83407-KWA-830	CUSHION, FR.VISOR	2
25	90101-GJ6-000	BOLT, ADJUST	1
	90101-GJ6-000	BOLT, ADJUST	1
26	90307-GJ6-000	WASHER, LOCK, 6 MM	1
	90307-GJ6-000	WASHER, LOCK, 6 MM	1
27	90320-GC3-000	NUT, SPRING, M5	2
28	90504-KWA-940	WASHER SCREEN	2
29	93500-05010-1A	SCREW, PAN, 5X10	2
30	91509-KWA-830	SCREW, PAN 5X18.5	2
31	93901-44220	SCREW, TAPPING,4X10	6

F-1 : HEAD LIGHT / FR.VISOR

32	94101-05000	WASHER , PLAIN, 5MM	2
33	93500-05016-1G	SCREW, PAN, 5 X 16	1
34	96001-06010-00	BOLT FLANGE SH. 6×10	2
35	96001-06016-07	BOLT, FLANGE, SH. 6 X 16	2

F-2 : SPEEDOMETER / CABLE / KEY SET



F-2 : SPEEDOMETER / CABLE / KEY SET

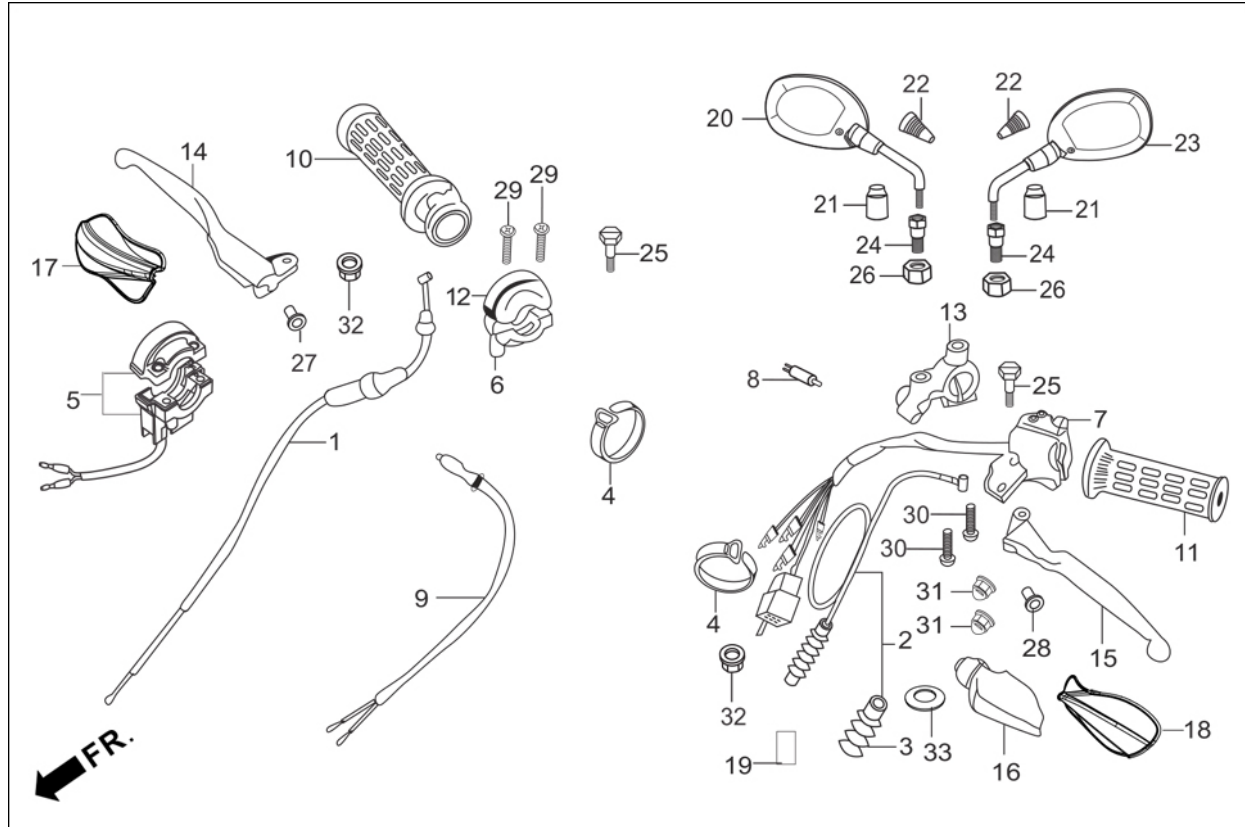
Group Number: F-2 **Model ::** Passion Pro TR (July, 2014)

Ref No.	Part Number	Description	Req.
1	35010-AAC-H00	KEY SET	1
2	35100-AAC-H01	SWITCH ASSY COMB & LOCK	1
3	35121-AAC-H30	KEY BLANK NO 1	1
4	35122-AAC-H30	KEY BLANK NO 2	1
5	37100-AAC-301	METER ASSY COMB	1
6	37100-AAC-H00020	SW.RUBBER	1
7	37105-KRJ-901	CAP	1
8	37210-AAC-301	SPEEDOMETRE COMP	1
9	37202-KWA-831	ROD SWITCH EXTENSION	1
10	37211-AAC-H71	CASE UPPER ASSY	1
11	37212-AAC-021	CASE UNDER ASSY	1
12	37214-KV7-671	SCREW, TAPPING, 3 X 12	1
13	37700-KWA-830	SPEED, SENSOR ASSY.	1
14	37214-KV7-671	SCREW, TAPPING, 3 X 12	1
15	44830-KWA-830	CABLE, COMP., SPDMT	1
16	44830-KWA-830A	CABLE INNER	1
17	61317-KCC-900	GUIDE `A	1
18	78135-AAC-021	BULB SOCKET ASSY	1
19	90235-KCZ-000	NUT,LOCK,18MM	1
20	91352-GAZ-930	O-RING 8.5X11.5	1

F-2 : SPEEDOMETER / CABLE / KEY SET

21	96700-08020-00	BOLT SOCKET, 8 MM	2
22	93903-22480	SCREW TAPPING 3 X 16	10
23	94001-06070-0S	NUT, HEX., 6 MM	3
24	94103-06700	WASHER, PLAIN, 6 MM	2

F-3 : HANDEL LEVER / SWITCH / CONTROL CABLE



F-3 : HANDEL LEVER / SWITCH / CONTROL CABLE

Group Number: F-3 **Model ::** Passion Pro TR (July, 2014)

Ref No.	Part Number	Description	Req.
1	17910-KWA-940	CABLE COMP. THROT.	1
2	22870-KWA-940	CABLE COMP. CLUTCH	1
3	22871-116-670	BOOT, CLUTCH CABLE	1
4	32161-404-000	BAND B-1,WIRE	2
5	35150-KWA-841	SWITCH ASSY. START	1
6	35152-KWA-841	SWITCH ASSY., FR. STOP	1
7	35200-KWA-841	SWITCH ASSY., WINKER	1
8	35330-413-003	SW. COMP., FR. LEVER	1
	35330-413-003	SW. COMP., FR. LEVER	1
9	35340-KCC-841	SW. ASSY. FR. STOP.	1
	35340-KCC-841	SW. ASSY. FR. STOP.	1
10	53140-KWA-830	GRIP COMP., R	1
11	53166-KWA-830	GRIP L HANDLE	1
12	53168-KWA-841	HOUSING UP., THROTTLE	1
13	53172-KTC-920	BRACKET, L HANDLE LEVER	1
	53172-KTC-920	BRACKET, L HANDLE LEVER	1
14	53175-KCC-840	LEVER RIGHT STRG. HANDLE	1
15	53178-AAF-H00	LEVER COMP.L STRG.HNDL.	1
	53178-AAF-H00	LEVER COMP.L STRG.HNDL.	1
16	53179-AAC-300	COVER L HANDLE LEVER	1

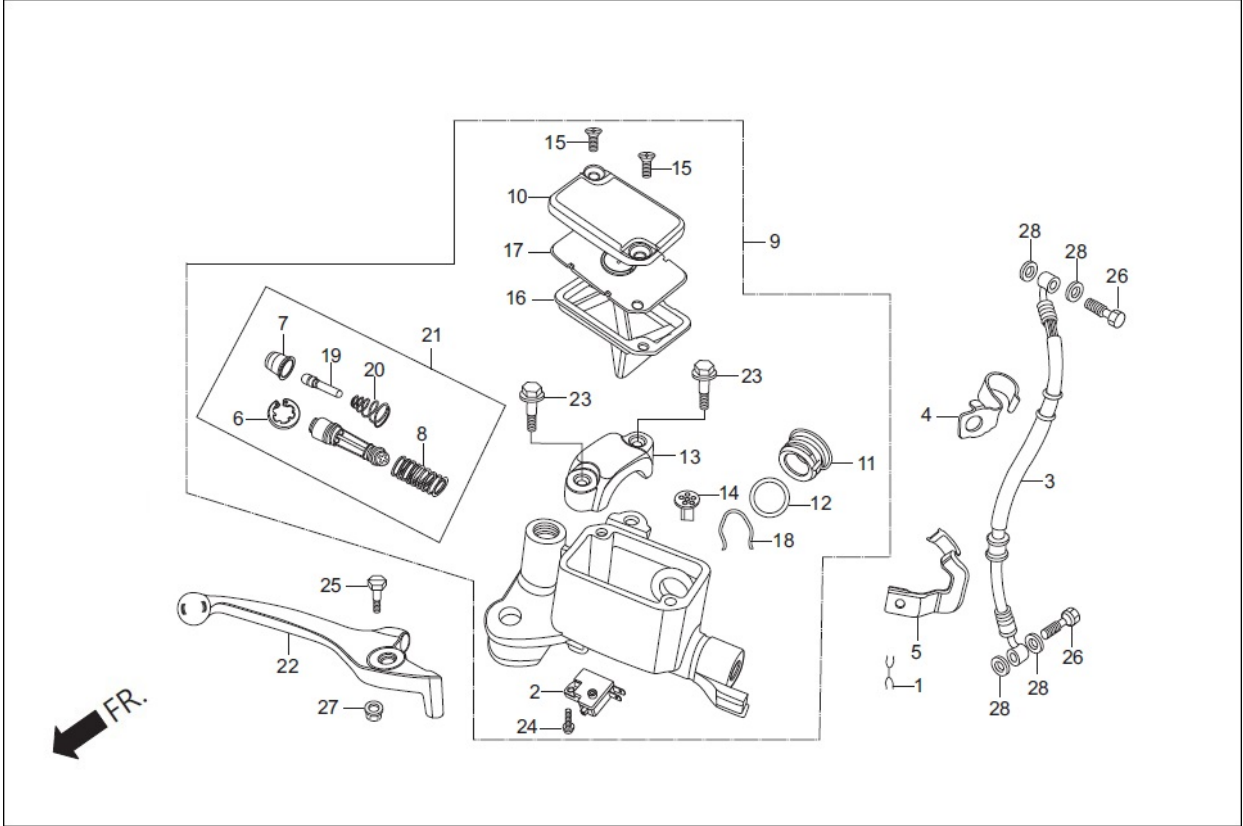
F-3 : HANDEL LEVER / SWITCH / CONTROL CABLE

17	53181-AAC-300	HAND GUARD R	1
18	53182-AAC-300	HAND GUARD L	1
19	53184-AAC-300	ANTI-ROTATION BRKT HAND GUARD L	1
20	88110-AAC-H41ZA	MIRROR ASSY R BACK-BLACK (NH-1)	1
21	88114-198-D10	CAP, LOCK NUT	2
	88114-198-D10	CAP, LOCK NUT	2
22	88115-KTR-900	BOOT, MIRROR UPPER	2
	88115-KTR-900	BOOT, MIRROR UPPER	2
23	88120-AAC-H41ZA	MIRROR ASSY L BACK-BLACK (NH-1)	1
24	90003-KCC-840	BOLT, ADPT.10MM	2
	90003-KCC-840	BOLT, ADPT.10MM	2
25	90114-AAC-300	BOLT HANDLE LEVER PIVOT	2
26	90201-MW3-620	NUT, HEX., 10MM	2
	90201-MW3-620	NUT, HEX., 10MM	2
27	90501-AAC-300	COLLAR HAND GUARD R	1
28	90502-AAC-300	COLLAR HAND GUARD L	1
29	93500-05020-0G	SCREW, PAN, 5 X 20	2
	93500-05020-0G	SCREW, PAN, 5 X 20	2
30	93500-05022-1G	SCREW, PAN, 5 X 22	2
	93500-05022-1G	SCREW, PAN, 5 X 22	2
31	94001-06000-0S	NUT, HEX., 6 MM	2
	94001-06000-0S	NUT, HEX., 6 MM	2

F-3 : HANDEL LEVER / SWITCH / CONTROL CABLE

32	94050-06000	NUT, FLANGE, 6 MM	2
	94050-06000	NUT, FLANGE, 6 MM	2
33	94101-AAC-300	WASHER HAND GUARD L	1

F-3A : FRONT BRAKE MASTER CYL



F-3A : FRONT BRAKE MASTER CYL

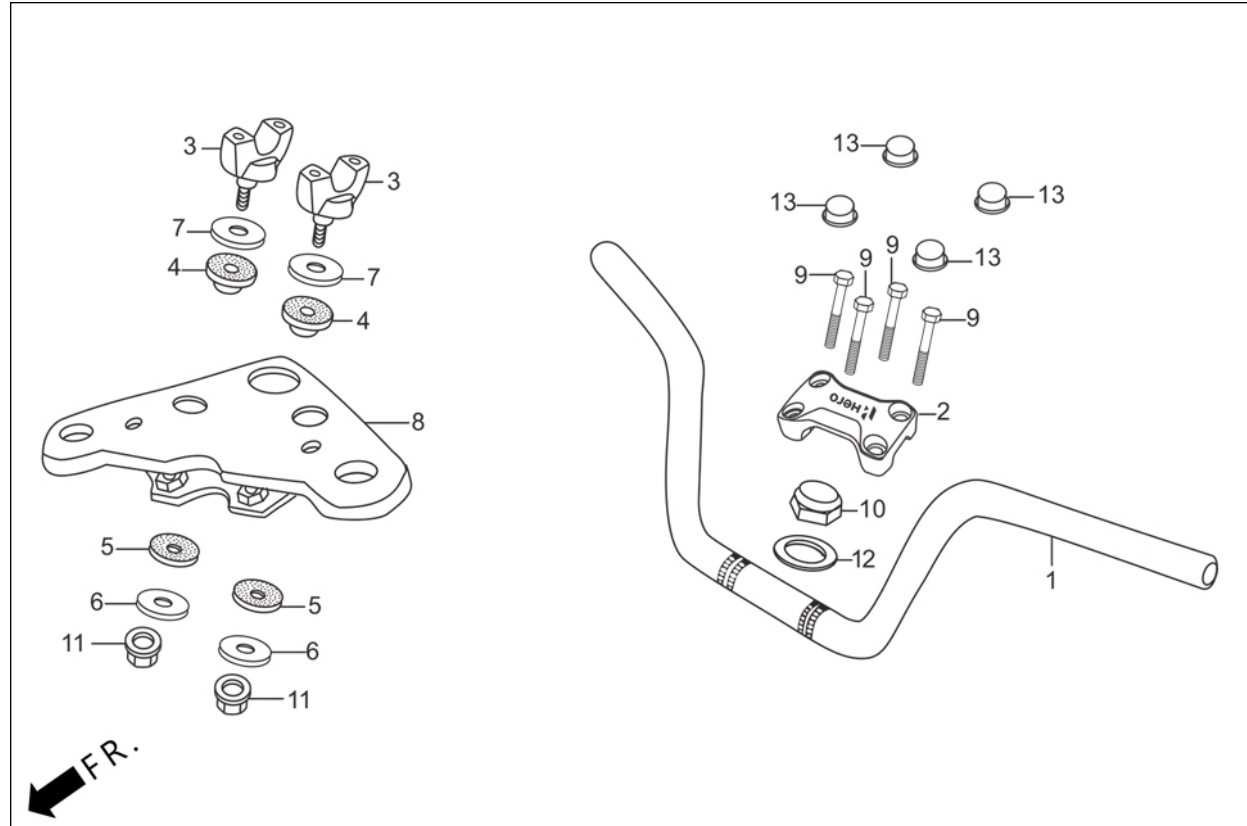
Group Number: F-3A Model :: Passion Pro TR (July, 2014)

Ref No.	Part Number	Description	Req.
1	32102-KCC-840	SUB CORD	1
2	35340-KCC-841	SW. ASSY. FR. STOP.	1
	35340-KCC-841	SW. ASSY. FR. STOP.	1
3	45126-KCC-840	HOSE COMP.,FR.BRAKE	1
	45126-KCC-840	HOSE COMP.,FR.BRAKE	1
4	45155-KCC-840	CLAMPER A FRONT BRAKE	1
5	45156-KCC-840	CLAMPER FRONT BRAKE	1
	45156-KCC-840	CLAMPER FRONT BRAKE	1
6	90651-KCC-841	CIRCLIP	1
7	45504-KCC-841	BOOT COMP.	1
8	45506-KCC-841	SPRING	1
9	45510-KVN-901	M/C SUB ASSY, FR. BRK	1
	45510-KVN-901	M/C SUB ASSY, FR. BRK	1
10	45513-KCC-841	CAP, MASTER CYLINDER	1
11	45515-KVN-901	GAUGE COMP., LEVEL	1
12	45516-KCC-841	O RING	1
13	45517-KCC-841	HOLDER MASTER CYLINDER	1
	45517-KCC-841	HOLDER MASTER CYLINDER	1
14	45518-KCC-841	SEPARATOR COMP.	1
15	45519-KCC-841	SCREW FLAT	2

F-3A : FRONT BRAKE MASTER CYL

16	45520-KCC-841	DIAPHRAGM	1
17	45521-KCC-841	PLATE, DIAPHRAGM	1
18	45522-KCC-841	CLIP, GAUGE	1
19	45525-KCC-841	PUSH ROD	1
20	45526-KCC-841	SPRING , PUSH ROD	1
21	45530-KCC-841	CYLINDER SET MASTER	1
22	53175-KCC-840	LEVER RIGHT STRG. HANDLE	1
23	90111-KCC-841	BOLT,FLANGE 6 X 25	2
24	90112-KCC-841	SCREW,PAN,4X8	1
25	90114-AAC-300	BOLT HANDLE LEVER PIVOT	1
26	90145-MS9-610	OIL BOLT, 10 X 22	2
	90145-MS9-610	OIL BOLT, 10 X 22	2
27	90303-KCC-841	NUT	1
	90303-KCC-841	NUT	1
28	90545-300-000	WASHER ,OIL BOLT	4
	90545-300-000	WASHER ,OIL BOLT	4

F-4 : HANDLE PIPE / TOP BRIDGE



F-4 : HANDLE PIPE / TOP BRIDGE

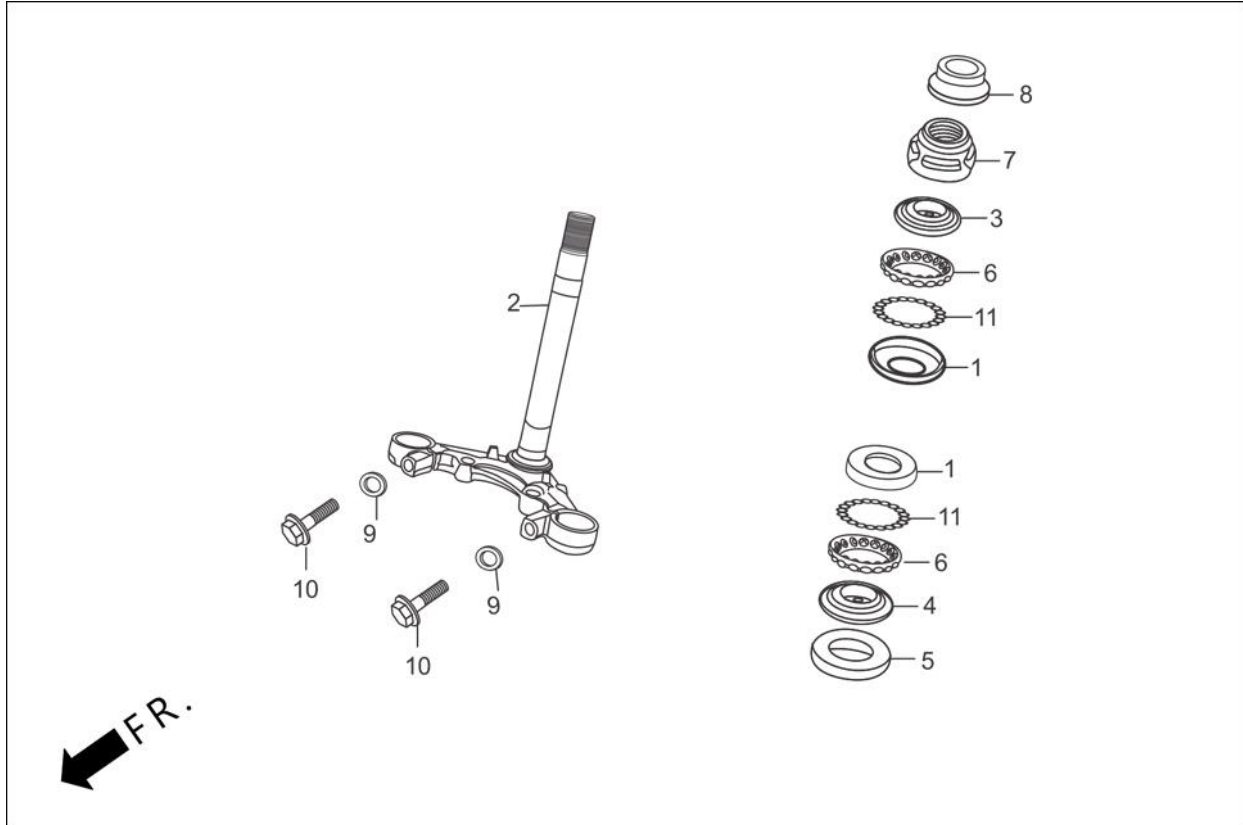
Group Number: F-4 **Model ::** Passion Pro TR (July, 2014)

Ref No.	Part Number	Description	Req.
1	53100-AAC-300	PIPE STRG HANDLE	1
2	53131-AAC-H00	HOLDER HANDLE UPPER	1
3	53132-124-000	HOLDER, HANDLE PIPE UNDER	2
	53132-124-000	HOLDER, HANDLE PIPE UNDER	2
4	53133-198-900	RUBBER, HANDLE CUSHION UPPER	2
	53133-198-900	RUBBER, HANDLE CUSHION UPPER	2
5	53134-028-000	RUBBER, HANDLE CUSHION UNDER	2
	53134-028-000	RUBBER, HANDLE CUSHION UNDER	2
6	53135-198-900	WASHER, HANDLE CUSHION	2
	53135-198-900	WASHER, HANDLE CUSHION	2
7	53136-198-900	PLATE, HANDLE CUSHION	2
	53136-198-900	PLATE, HANDLE CUSHION	2
8	53230-KST-950	BRIDGE COMP., FORK TOP	1
9	90102-KVN-900	BOLT, SP. FLANGE SOCKET 6 X 22	4
	90102-KVN-900	BOLT, SP. FLANGE SOCKET 6 X 22	4
10	90304-AAH-000	NUT STRG. STEM	1
	90304-AAH-000	NUT STRG. STEM	1
11	90304-KST-942	NUT FLG.PT 10MM	2
	90304-KST-942	NUT FLG.PT 10MM	2
12	90503-KTR-900	WASHER, STEERING STEM	1

F-4 : HANDLE PIPE / TOP BRIDGE

	90503-KTR-900	WASHER, STEERING STEM	1
13	91455-MG8-000	CAP, SOC BOLT 6 MM	4
	91455-MG8-000	CAP, SOC BOLT 6 MM	4

F-5 : STEERING STEM/ HORN



F-5 : STEERING STEM/ HORN

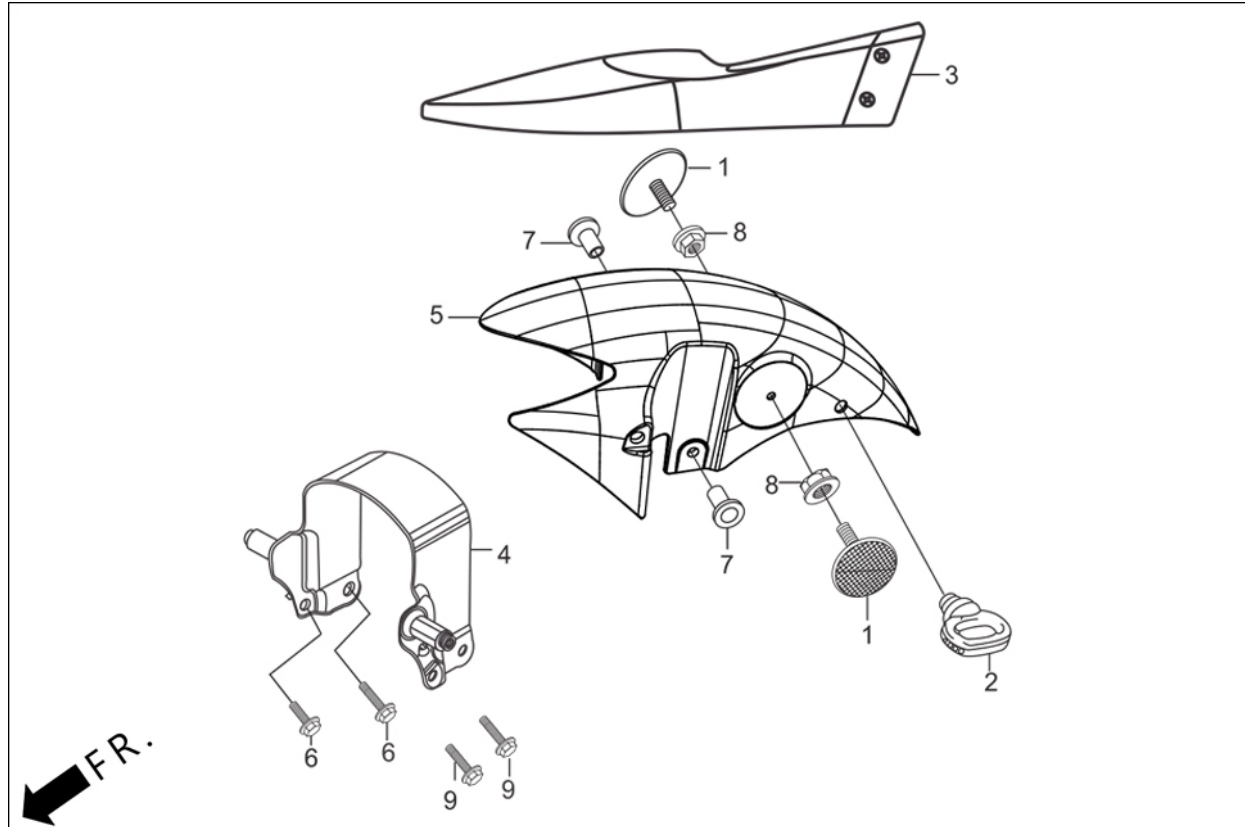
Group Number: F-5 **Model ::** Passion Pro TR (July, 2014)

Ref No.	Part Number	Description	Req.
1	50301-KTR-900	RACE, STEERING BALL	2
	50301-KTR-900	RACE, STEERING BALL	2
2	53200-AAD-000	STEM COMP STRG	1
3	53211-268-010	RACE, STEERING TOP CONE	1
	53211-268-010	RACE, STEERING TOP CONE	1
4	53212-200-000	RACE, STEERING BOTTOM CONE	1
	53212-200-000	RACE, STEERING BOTTOM CONE	1
5	53214-200-000	DUST SEAL, STEERING HEAD	1
	53214-200-000	DUST SEAL, STEERING HEAD	1
6	53215-KTR-900	BALL, ASSY. STEERING	2
	53215-KTR-900	BALL, ASSY. STEERING	2
7	53221-KTR-900	THREAD, STEERING HEAD TOP	1
	53221-KTR-900	THREAD, STEERING HEAD TOP	1
8	53222-KTR-900	MUD GUARD, STEERING HEAD TOP	1
	53222-KTR-900	MUD GUARD, STEERING HEAD TOP	1
9	94101-08000	WASHER, PLAIN, 8MM	2
	94101-08000	WASHER, PLAIN, 8MM	2
10	95701-08040-00	BOLT, FLANGE, 8 X 40	2
	95701-08040-00	BOLT, FLANGE, 8 X 40	2
11	96211-08000	BALL STEEL 8 MM	32

F-5 : STEERING STEM/ HORN

96211-08000	BALL STEEL 8 MM	32
-------------	-----------------	----

F-6 : FRONT FENDER

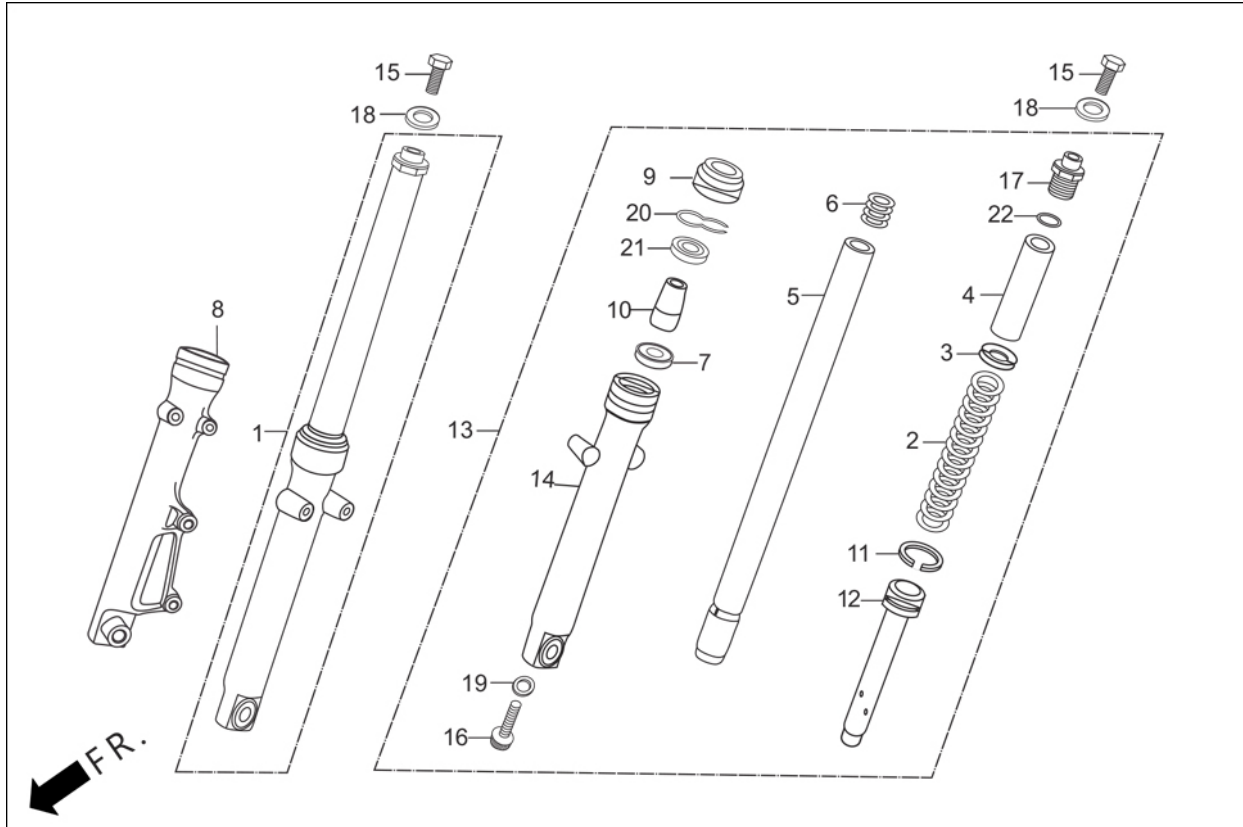


F-6 : FRONT FENDER

Group Number: F-6 **Model ::** Passion Pro TR (July, 2014)

Ref No.	Part Number	Description	Req.
1	33741-KAK-971	REFLEX, LEFT FRONT	2
2	45451-KCC-900	GUIDE, FR. FENDER CABLE	1
3	61100-AAC-300	HIGH FENDER FR	1
4	61102-AAC-300	PLATE HUGGER FENDER	1
5	61110-AAC-300	HUGGER FENDER FR	1
6	90104-KCC-870	SCREW, SPECIAL , 6 X 12	2
7	90501-KCC-870	COLLAR, FR. FENDER SET	2
	90501-KCC-870	COLLAR, FR. FENDER SET	2
8	94050-06000	NUT, FLANGE, 6 MM	2
	94050-06000	NUT, FLANGE, 6 MM	2
9	95701-06012-00	BOLT, FLANGE, 6X12	2
	95701-06012-00	BOLT, FLANGE, 6X12	2

F-7 : FRONT FORK



F-7 : FRONT FORK

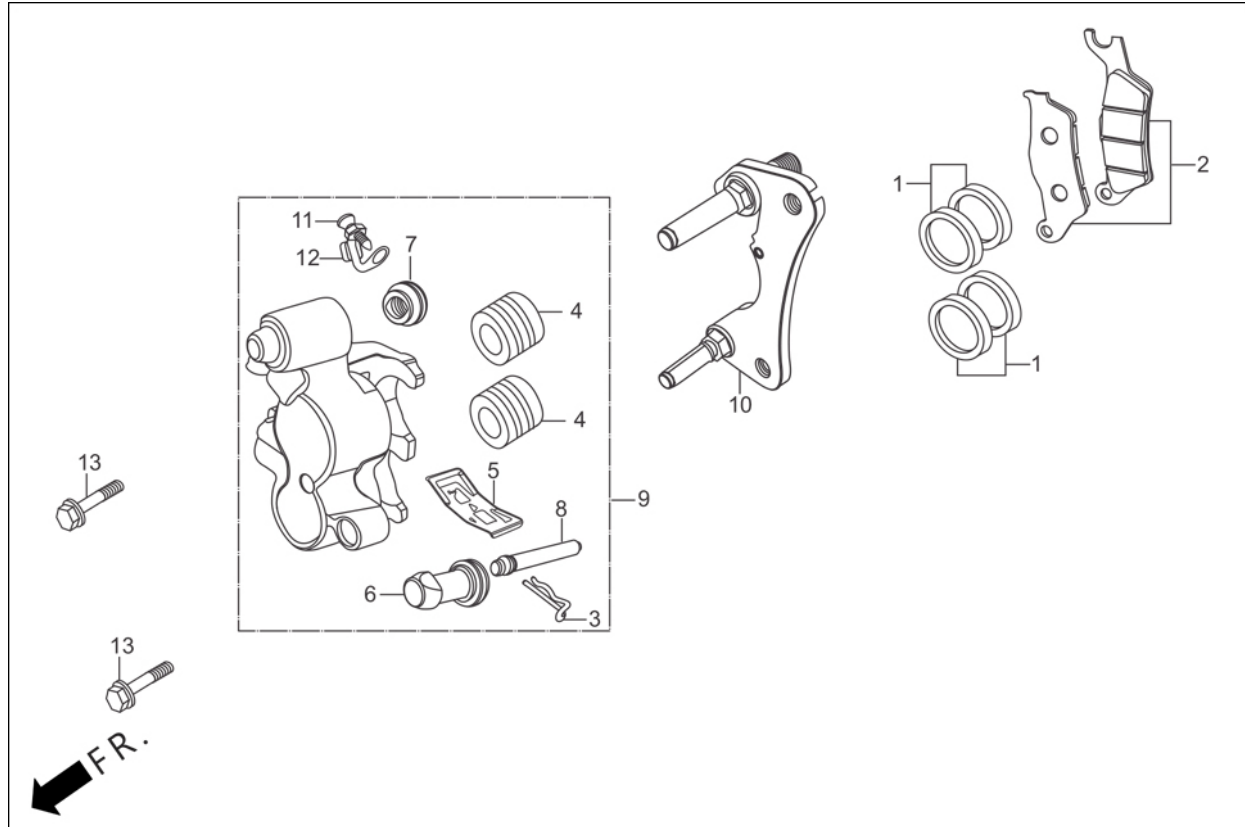
Group Number: F-7 **Model ::** Passion Pro TR (July, 2014)

Ref No.	Part Number	Description	Req.
1	51400-KWA-971	FORK ASSY., R FRONT	1
2	51401-KST-941	SPRING, FR. CUSHION	2
3	51403-447-730	JOINT, SPRING	2
4	51403-KCC-900	COLLAR, SPRING	2
5	51410-KWA-941	PIPE COMP. FR. FORK	2
6	51412-KAG-900	SPRING, REBOUND	2
7	51412-KWA-941	RING BACKUP	2
8	51420-KWA-971	CASE COMP. R FRONT	1
9	51425-KST-901	SEAL, DUST	2
	51425-KST-901	SEAL, DUST	2
10	51432-KST-901	PIECE, OIL LOCK	2
11	51437-KVN-901	RING, PISTON	2
12	51440-KTR-901	PIPE, SEAT	2
13	51500-KWA-971	FORK ASSY., L FRONT	1
14	51520-KWA-971	CASE COMP. L, FRONT BOTTOM	1
15	90116-KAG-900	BOLT, SOCKET, 8 MM	2
16	90123-KRM-860	BOLT, FR. FORK	1
	90123-KRM-860	BOLT, FR. FORK	1
17	90123-KST-941	BOLT, A FR. FORK	2
18	90521-292-000	WASHER, PLAIN, 10.3 MM	2

F-7 : FRONT FORK

	90521-292-000	WASHER, PLAIN, 10.3 MM	2
19	90544-439-930	WASHER, SPECIAL, 8 MM	1
20	90601-GF5-730	RING, OIL SEAL STOPPER	2
	90601-GF5-730	RING, OIL SEAL STOPPER	2
21	91255-KWA-941	SEAL OIL 30×42×11	2
	91255-KWA-941	SEAL OIL 30×42×11	2
22	91356-KAG-900	O - RING	2

F-8 : CALIPER ASSY. R FR

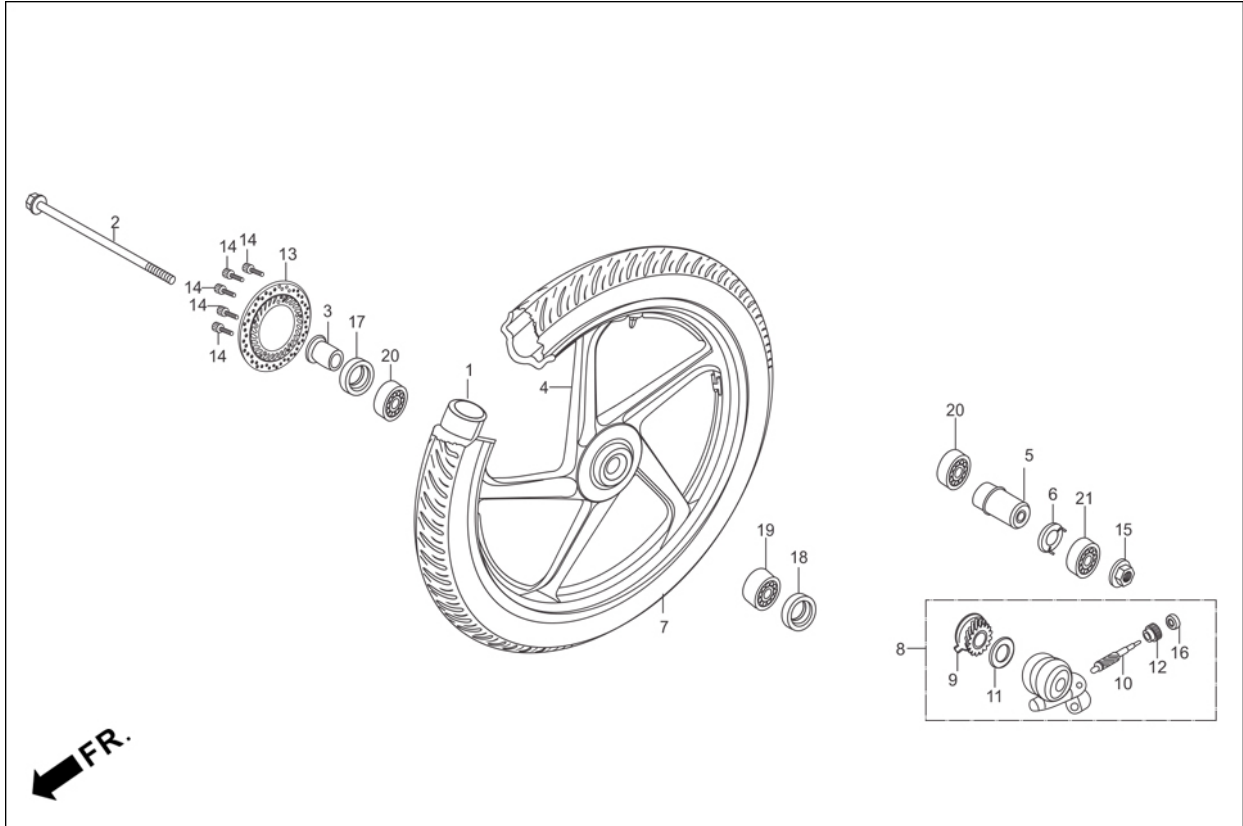


F-8 : CALIPER ASSY. R FR

Group Number: F-8 **Model ::** Passion Pro TR (July, 2014)

Ref No.	Part Number	Description	Req.
1	06451-KCC-841	SEAL SET, PISTON	2
	06451-KCC-841	SEAL SET, PISTON	2
2	06455-AAN-211	PAD SET FR	1
3	43216-MAK-003	CLIP	1
4	45107-KCC-841	PISTON, 26	2
5	45108-KCC-841	PAD, SPRING	1
6	45132-KCC-841	BUSH, BOOT PIN	1
7	45133-KCC-841	BOOT,B	1
8	45220-KCC-841	PIN COMP., HANGER	1
9	45250-KCC-841	CALIPER SUB ASSY., R FR	1
	45250-KCC-841	CALIPER SUB ASSY., R FR	1
10	45290-KCC-841	BRKT. SUB ASSY., R FR	1
	45290-KCC-841	BRKT. SUB ASSY., R FR	1
11	45352-KCC-841	SCREW, BLEEDER	1
12	45353-KCC-841	CAP, BLEEDER	1
13	90155-KY4-900	BOLT, FLANGE, 8 X 25	2
	90155-KY4-900	BOLT, FLANGE, 8 X 25	2

F-9 : FRONT WHEEL



F-9 : FRONT WHEEL

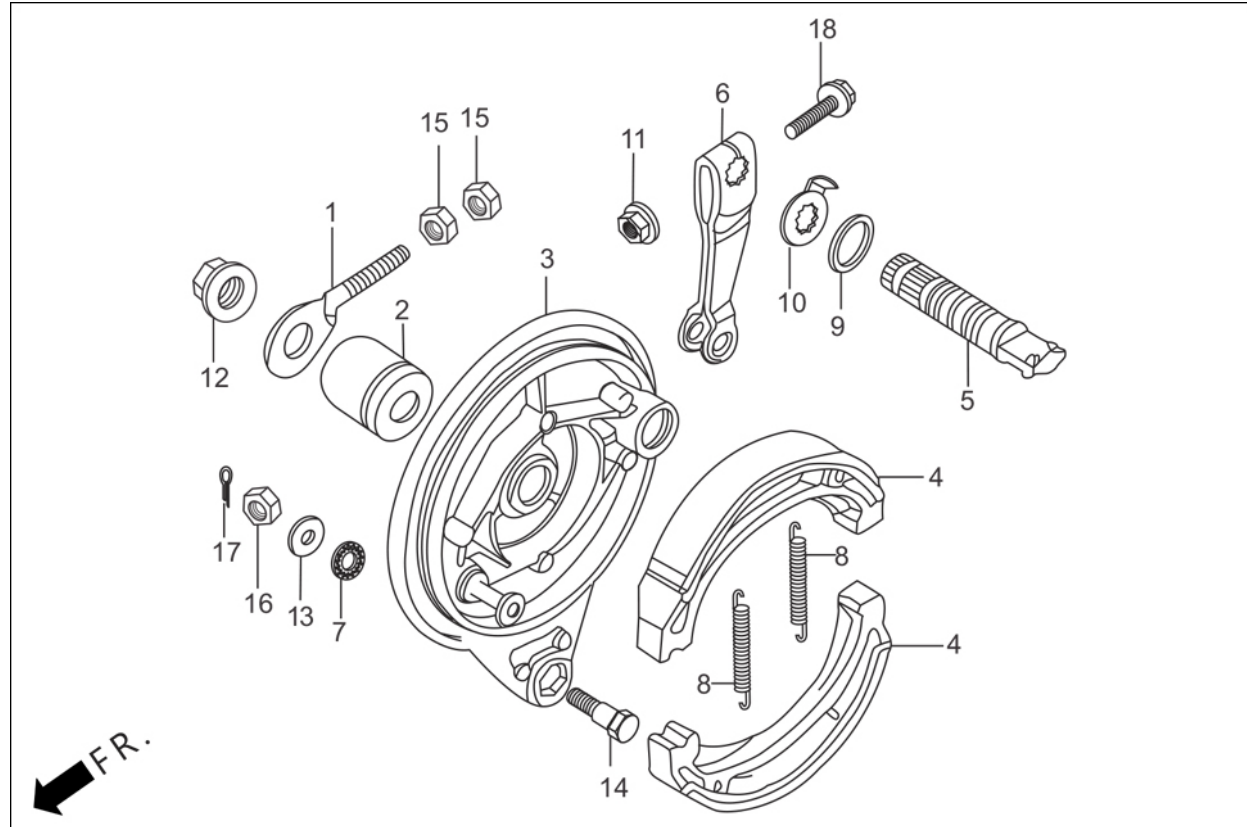
Group Number: F-9 **Model ::** Passion Pro TR (July, 2014)

Ref No.	Part Number	Description	Req.
1	42712-P11-000	TUBE, TYRE (2.75-3.0 X 18)	1
	42712-P11-000	TUBE, TYRE (2.75-3.0 X 18)	1
2	44301-KTR-700	AXLE, FR. WHEEL	1
	44301-KTR-700	AXLE, FR. WHEEL	1
3	44311-KRC-900	COLLAR, FR. WHEEL SIDE	1
	44311-KRC-900	COLLAR, FR. WHEEL SIDE	1
4	44601-AAC-H30	WHEEL COMP FRONT	1
5	44620-400-000	COLLAR, FRONT DISTANCE	1
	44620-400-000	COLLAR, FRONT DISTANCE	1
6	44680-410-000	RETAINER, GEAR BOX	1
	44680-410-000	RETAINER, GEAR BOX	1
7	44711-AAC-300	TYRE FRONT	1
	44711-AAC-300	TYRE FRONT	1
8	44800-KVE-901	GEAR BOX ASSY., SPDMT. (MGM)	1
	44800-KVE-901	GEAR BOX ASSY., SPDMT. (MGM)	1
9	44804-KVE-901	GEAR, SPEEDOMETER	1
10	44805-KVE-901	PINION, SPEEDOMETER	1
11	44809-170-000	WASHER, SPEEDOMETER GEAR	1
	44809-170-000	WASHER, SPEEDOMETER GEAR	1
12	44810-KTC-900	BUSH, PINION	1

F-9 : FRONT WHEEL

	44810-KTC-900	BUSH, PINION	1
13	45251-KVE-901	DISC, FRONT BRAKE	1
14	90105-MK5-010	BOLT, FR., DISC, 8 X 22	5
	90105-MK5-010	BOLT, FR., DISC, 8 X 22	5
15	90306-KTE-911	NUT, CASTLE, 12 MM	1
	90306-KTE-911	NUT, CASTLE, 12 MM	1
16	91251-KPH-901	DUST SEAL, 21 X 37 X 7	1
	91251-KPH-901	DUST SEAL, 21 X 37 X 7	1
17	91251-KPH-901	DUST SEAL, 21 X 37 X 7	1
	91251-KPH-901	DUST SEAL, 21 X 37 X 7	1
18	91258-KEJ-900	DUST SEAL, 40 X 50 X 5	1
	91258-KEJ-900	DUST SEAL, 40 X 50 X 5	1
19	91001-GF6-000	BEARING, RADIAL BALL, 6304	1
	91001-GF6-000	BEARING, RADIAL BALL, 6304	1
20	96140-63010-10	BEARING, RADIAL BALL, 6301U	2
	96140-63010-10	BEARING, RADIAL BALL, 6301U	2
21	96150-63010-10	BEARING, BALL RADIAL, 6301 (UU)	1
	96150-63010-10	BEARING, BALL RADIAL, 6301 (UU)	1

F-10 : REAR BRAKE PANEL



F-10 : REAR BRAKE PANEL

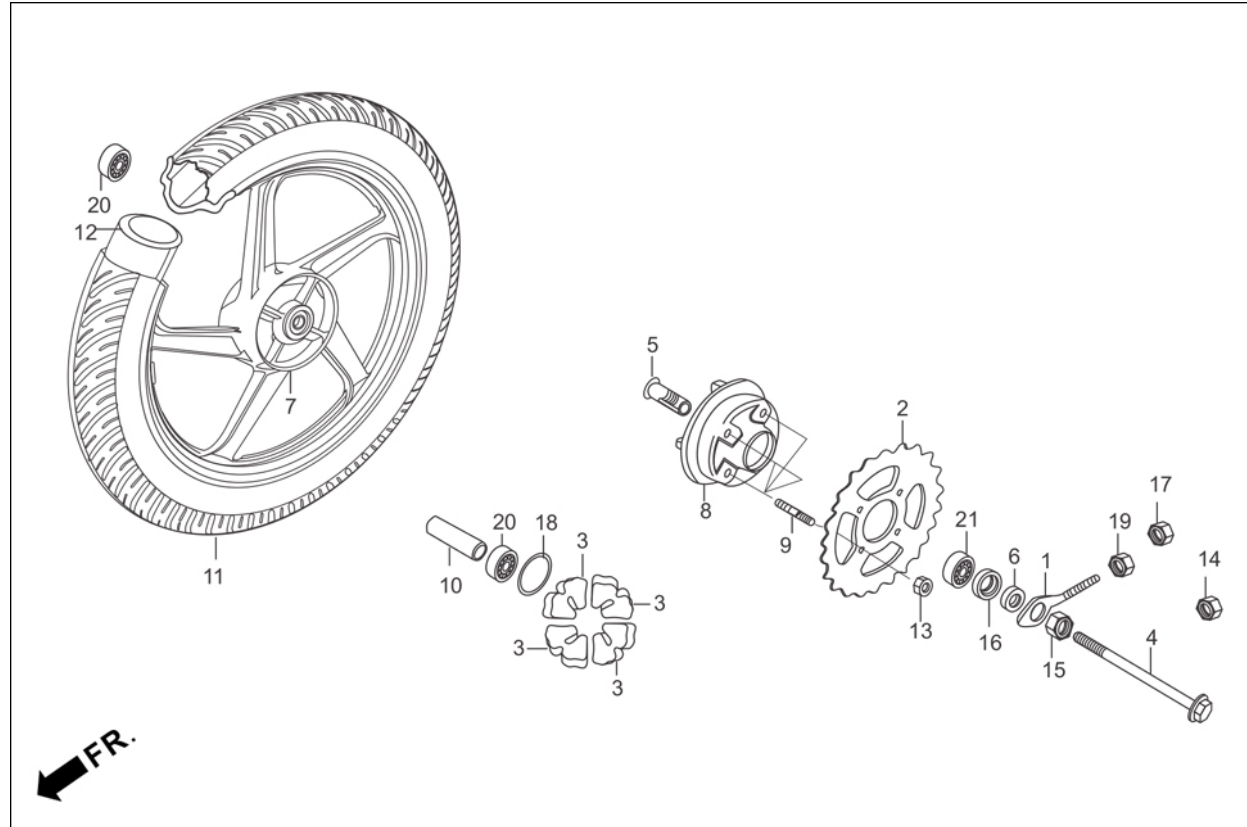
Group Number: F-10 **Model ::** Passion Pro TR (July, 2014)

Ref No.	Part Number	Description	Req.
1	40543-198-900	ADJUSTER, R CHAIN	1
2	42313-KCC-600	COLLAR RR. BRAKE PANEL SIDE	1
3	43100-KTR-700	PANEL COMP., RR. BRAKE	1
	43100-KTR-700	PANEL COMP., RR. BRAKE	1
4	45125-AAH-F0099	SHOE COMP BRAKE	2
5	43141-KTC-900	CAM, REAR BRAKE	1
	43141-KTC-900	CAM, REAR BRAKE	1
6	43410-KCT-690	ARM, REAR BRAKE	1
	43410-KCT-690	ARM, REAR BRAKE	1
7	43434-286-000	RUBBER, STOPPER ARM CUSHION	1
	43434-286-000	RUBBER, STOPPER ARM CUSHION	1
8	45133-KCC-900	SPRING, FR. BRAKE SHOE	2
	45133-KCC-900	SPRING, FR. BRAKE SHOE	2
9	45134-250-000	DUST SEAL, BRAKE CAM	1
	45134-250-000	DUST SEAL, BRAKE CAM	1
10	45145-KFM-900	INDICATOR, FR. BRK	1
	45145-KFM-900	INDICATOR, FR. BRK	1
11	90302-KTE-911	NUT FLANGE PT 6MM	1
	90302-KTE-911	NUT FLANGE PT 6MM	1
12	90306-KST-942	NUT, CASTLE, 12 MM	1

F-10 : REAR BRAKE PANEL

	90306-KST-942	NUT, CASTLE, 12 MM	1
13	90505-425-000	WASHER, 8 MM	1
	90505-425-000	WASHER, 8 MM	1
14	92811-10000	BOLT A BRAKE STOPPER	1
	92811-10000	BOLT A BRAKE STOPPER	1
15	94001-06000-0S	NUT, HEX., 6 MM	2
	94001-06000-0S	NUT, HEX., 6 MM	2
16	94001-08000-0S	NUT, HEX., 8 MM	1
	94001-08000-0S	NUT, HEX., 8 MM	1
17	94201-20150	PIN, SPLIT, 2.0 X 15	1
	94201-20150	PIN, SPLIT, 2.0 X 15	1
18	95701-06035-00	BOLT, FLANGE, 6X35	1
	95701-06035-00	BOLT, FLANGE, 6X35	1

F-11 : REAR WHEEL



FR.

F-11 : REAR WHEEL

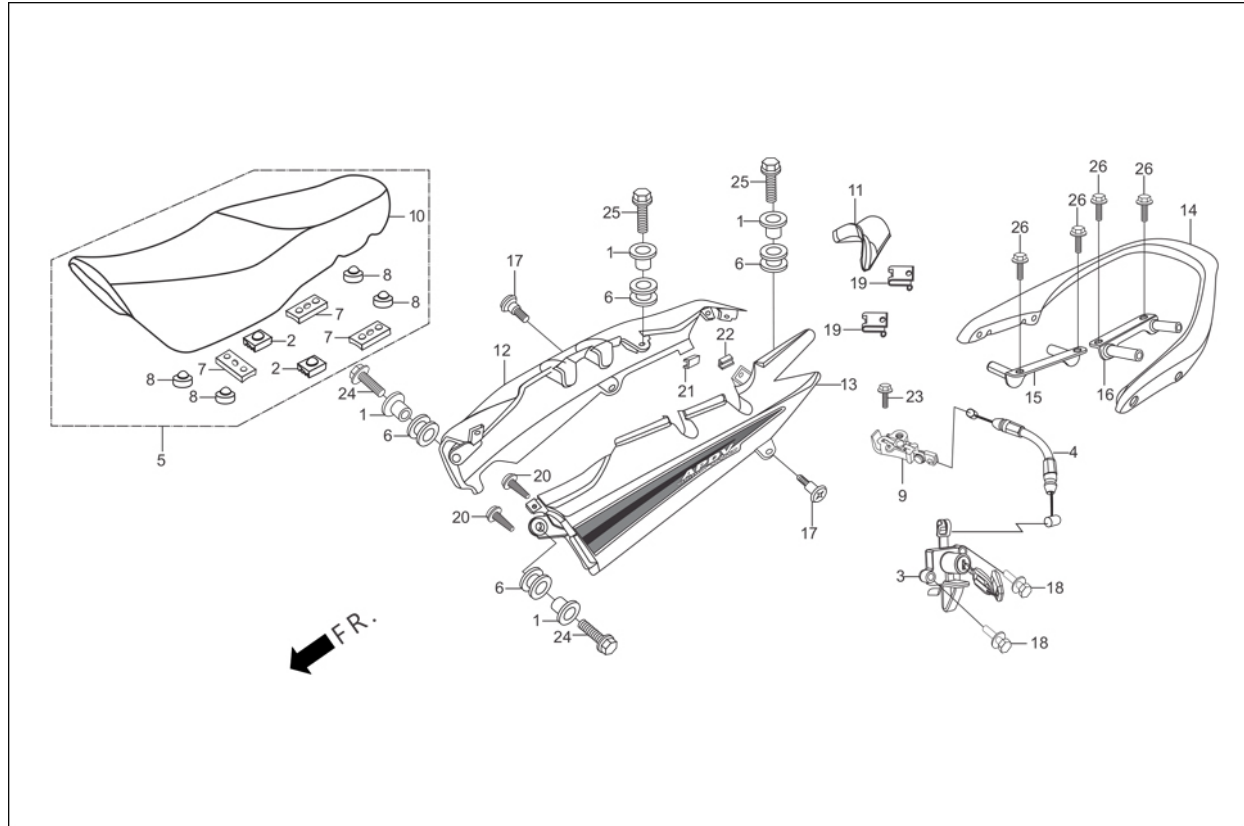
Group Number: F-11 **Model ::** Passion Pro TR (July, 2014)

Ref No.	Part Number	Description	Req.
1	40544-198-900	ADJUSTER, L CHAIN	1
2	41201-KVH-760	SPROCKET, FINAL DRIVEN (43T)	1
3	41241-KTC-900	DAMPER, REAR WHEEL	4
4	42301-ABA-000	AXLE RR WHEEL	1
5	42303-KCC-600	SLEEVE RR. WHEEL	1
6	42304-198-900	COLLAR, RR.AXLE SLEEVE	1
7	42601-AAC-H02	WHEEL COMP.REAR	1
8	42611-KWA-940	FLANGE FINAL DRIVEN	1
9	42615-KCC-600	BOLT, STUD., 8X35.5	4
10	42620-KTR-700	COLLAR, REAR AXLE DISTANCE	1
	42620-KTR-700	COLLAR, REAR AXLE DISTANCE	1
11	42711-AAC-300	TYRE REAR	1
	42711-AAC-300	TYRE REAR	1
12	42712-P11-000	TUBE, TYRE (2.75-3.0 X 18)	1
	42712-P11-000	TUBE, TYRE (2.75-3.0 X 18)	1
13	90306-KST-942	NUT, CASTLE, 12 MM	4
	90306-KST-942	NUT, CASTLE, 12 MM	4
14	90307-001-000	NUT ,RR. AXLE SLEEVE	1
	90307-001-000	NUT ,RR. AXLE SLEEVE	1
15	90308-KWA-940	NUT PT. 8MM	1

F-11 : REAR WHEEL

16	90753-029-000	OIL SEAL, 27 X 40 X 6	1
	90753-029-000	OIL SEAL, 27 X 40 X 6	1
17	90302-KBP-900	NUT SPL 6 MM	1
	90302-KBP-900	NUT SPL 6 MM	1
18	91304-704-000	O-RING 42 MM	1
	91304-704-000	O-RING 42 MM	1
19	94001-06000-0S	NUT, HEX., 6 MM	1
	94001-06000-0S	NUT, HEX., 6 MM	1
20	96140-63010-10	BEARING, RADIAL BALL, 6301U	2
	96140-63010-10	BEARING, RADIAL BALL, 6301U	2
21	96150-62030-10	BEARING, BALL RADIAL, 6203 (UU)	1
	96150-62030-10	BEARING, BALL RADIAL, 6203 (UU)	1

F-12 : SEAT ASSY. / RR COWL / GRIP REAR



F-12 : SEAT ASSY. / RR COWL / GRIP REAR

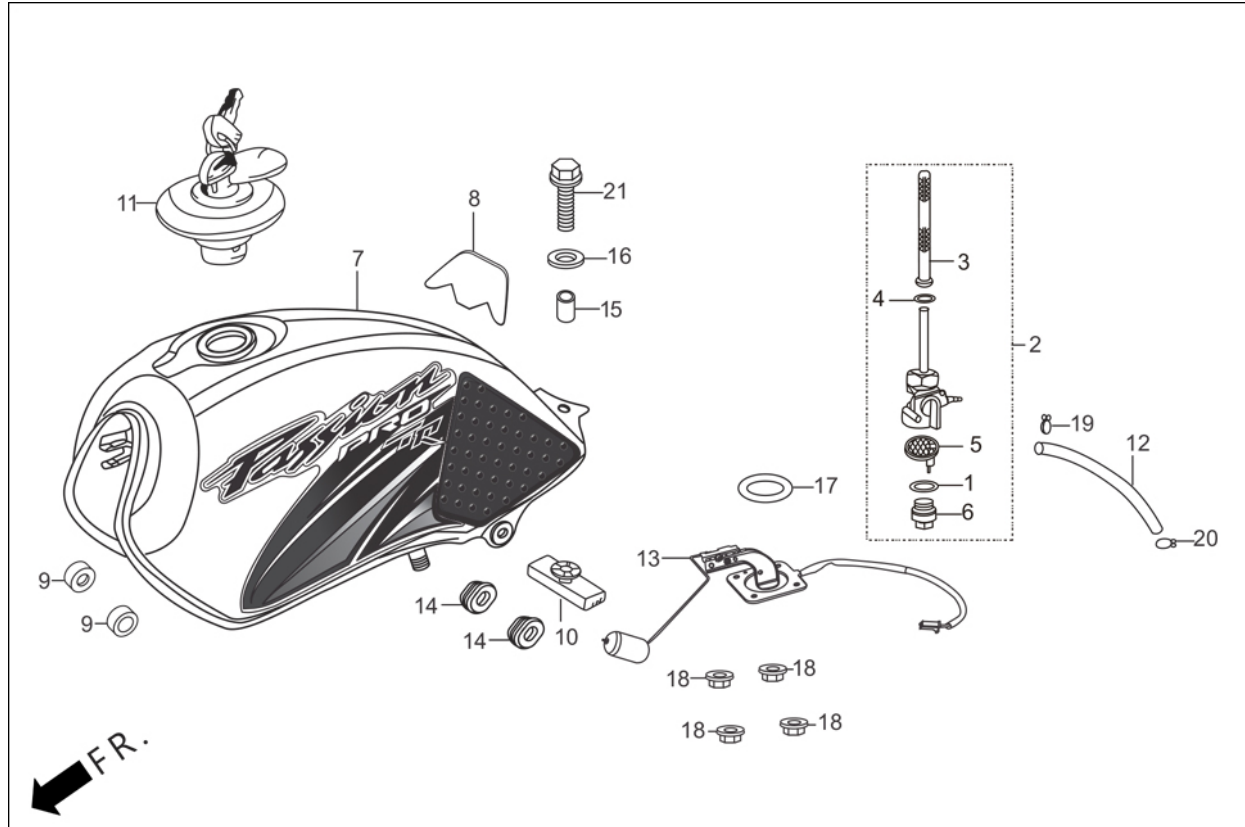
Group Number: F-12 **Model ::** Passion Pro TR (July, 2014)

Ref No.	Part Number	Description	Req.
1	17509-398-960	COLLAR, TANK SET	4
	17509-398-960	COLLAR, TANK SET	4
2	50524-001-000	RUBBER, MAIN STAND STOPPER	2
	50524-001-000	RUBBER, MAIN STAND STOPPER	2
3	77110-AAC-H00	LOCK ASSY SEAT	1
4	77156-KCC-870	CABLE, SEAT LOCK	1
5	77200-KWA-830	SEAT ASSY., DOUBLE	1
6	77202-KCC-900	RUBBER, SEAT MOUNTING	4
	77202-KCC-900	RUBBER, SEAT MOUNTING	4
7	77204-KCC-900	RUBBER, `A SEAT SETTING	3
	77204-KCC-900	RUBBER, `A SEAT SETTING	3
8	77206-KCC-900	RUBBER, SEAT CUSHION	4
	77206-KCC-900	RUBBER, SEAT CUSHION	4
9	77220-KY6-000	HOOK, SEAT CATCH	1
	77220-KY6-000	HOOK, SEAT CATCH	1
10	77230-KWA-830	COVER, SEAT ASSY.,	1
11	77236-KWA-830H	COWL, CENTER RR	1
12	77240-AAC-300R	SET, R SIDE COWL(TBM,BL-002M)	1
	77240-AAC-300S	SET, R SIDE COWL(SRD,R-321)	1
13	77250-AAC-300R	SET, L SIDE COWL(TBM,BL-002M)	1

F-12 : SEAT ASSY. / RR COWL / GRIP REAR

	77250-AAC-300S	SET, L SIDE COWL(SRD,R-321)	1
14	81201-KWA-940ZA	GRIP, REAR(BLACK)	1
15	81202-KCC-730Z	STAY, REAR GRIP R	1
16	81203-KCC-730Z	STAY, REAR GRIP L	1
17	90101-GE0-000	SCREW, HINGE PATCH	2
18	90107-GZ4-670	BOLT, BREAK OFF	2
19	90320-GC3-000	NUT, SPRING, M5	2
20	93903-34380	SCREW, TAPPING, 4X12	2
	93903-34380	SCREW, TAPPING, 4X12	2
21	77211-KCC-900	CUSHION, SEAT	1
22	77232-KVE-900	CUSHION COWL CENTER B.	1
23	95701-06012-00	BOLT, FLANGE, 6X12	1
	95701-06012-00	BOLT, FLANGE, 6X12	1
24	95701-06020-00	BOLT, FLANGE, 6X20	2
	95701-06020-00	BOLT, FLANGE, 6X20	2
25	95701-08016-00	BOLT, FLANGE, 8X16	2
	95701-08016-00	BOLT, FLANGE, 8X16	2
26	96700-08040-00	SOCKET, BOLT 8 X 40	4

F-13 : FUEL TANK



F-13 : FUEL TANK

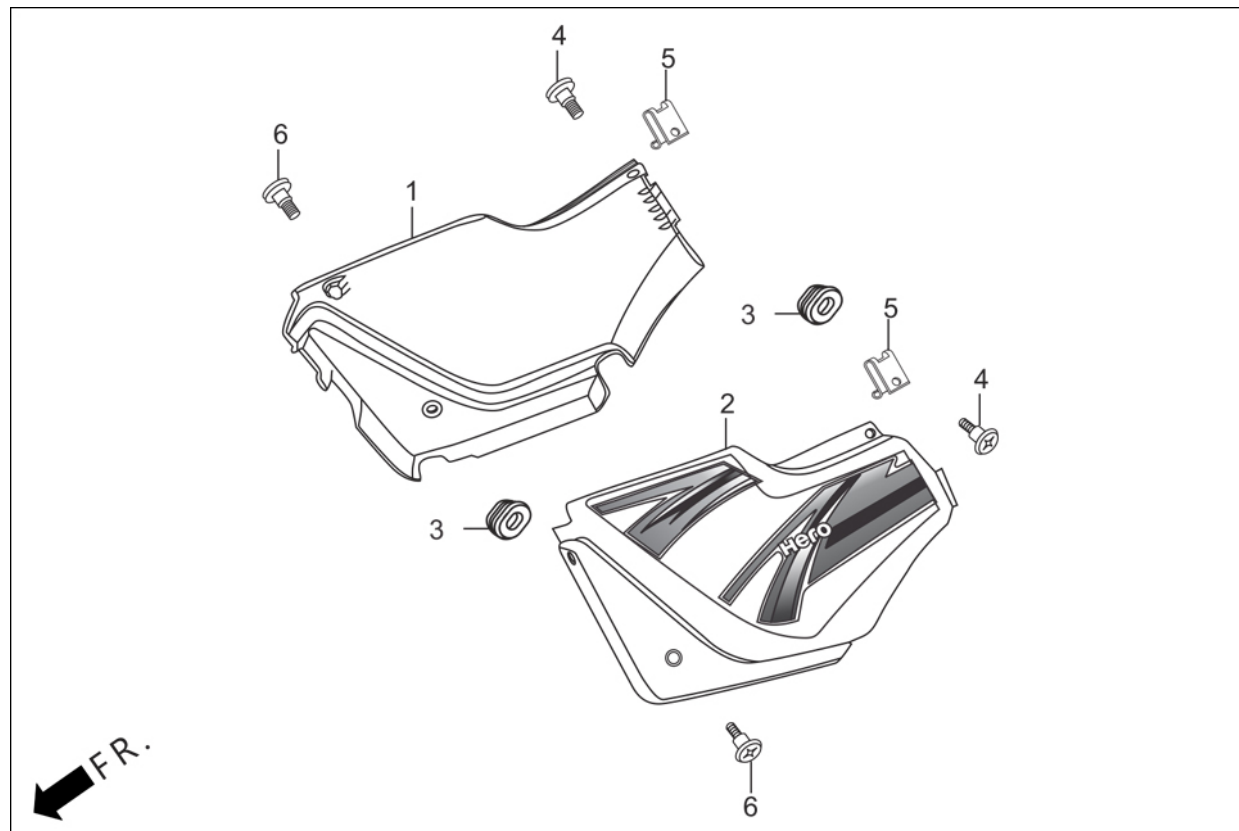
Group Number: F-13 **Model ::** Passion Pro TR (July, 2014)

Ref No.	Part Number	Description	Req.
1	16173-001-000	O- RING	1
2	16950-AAE-H0099	COCK ASSY. FUEL	1
3	16952-KCC-900	SCREEN, FUEL STRAINER	1
	16952-KCC-900	SCREEN, FUEL STRAINER	1
4	16958-397-770	O-RING	1
6	16967-MA2-770	CUP, FUEL STRAINER	1
7	17500-AAC-300R	SET, FUEL TANK(TBM,BL-002M)	1
	17500-AAC-300S	SET, FUEL TANK(SRD,R-321)	1
	17500-AAC-300T	SET, FUEL TANK(BLK,NH-1)	1
8	17506-KCC-730	TANK FILM, PROTECTOR	1
9	17611-KCC-900	CUSHION, FR. FUEL TANK	2
10	17613-KCC-900	CUSHION, RR. TANK	1
	17613-KCC-900	CUSHION, RR. TANK	1
11	17620-KWA-930H	CAP COMP. FUEL FILLER	1
12	17681-KWA-940	TUBE, FUEL	1
13	37800-KWA-930	UNIT ASSY., FUEL	1
14	83551-300-000	GROMMET, AIR CLEANER CASE	2
	83551-300-000	GROMMET, AIR CLEANER CASE	2
15	90324-AAC-300	COLLAR 8 MM	1
16	90325-KCC-900	WASHER, PLAIN, 8 MM	1

F-13 : FUEL TANK

	90325-KCC-900	WASHER, PLAIN, 8 MM	1
17	91305-MC7-000	O-RING, 39.5 X 5	1
	91305-MC7-000	O-RING, 39.5 X 5	1
18	94050-06000	NUT, FLANGE, 6 MM	4
	94050-06000	NUT, FLANGE, 6 MM	4
19	95002-02080	CLIP, TUBE	1
20	95002-02100	CLIP, B-10 TUBE	1
21	95701-08035-00	BOLT, FLANGE, 8 X 35	1
	95701-08035-00	BOLT, FLANGE, 8 X 35	1

F-14 : SIDE COVER

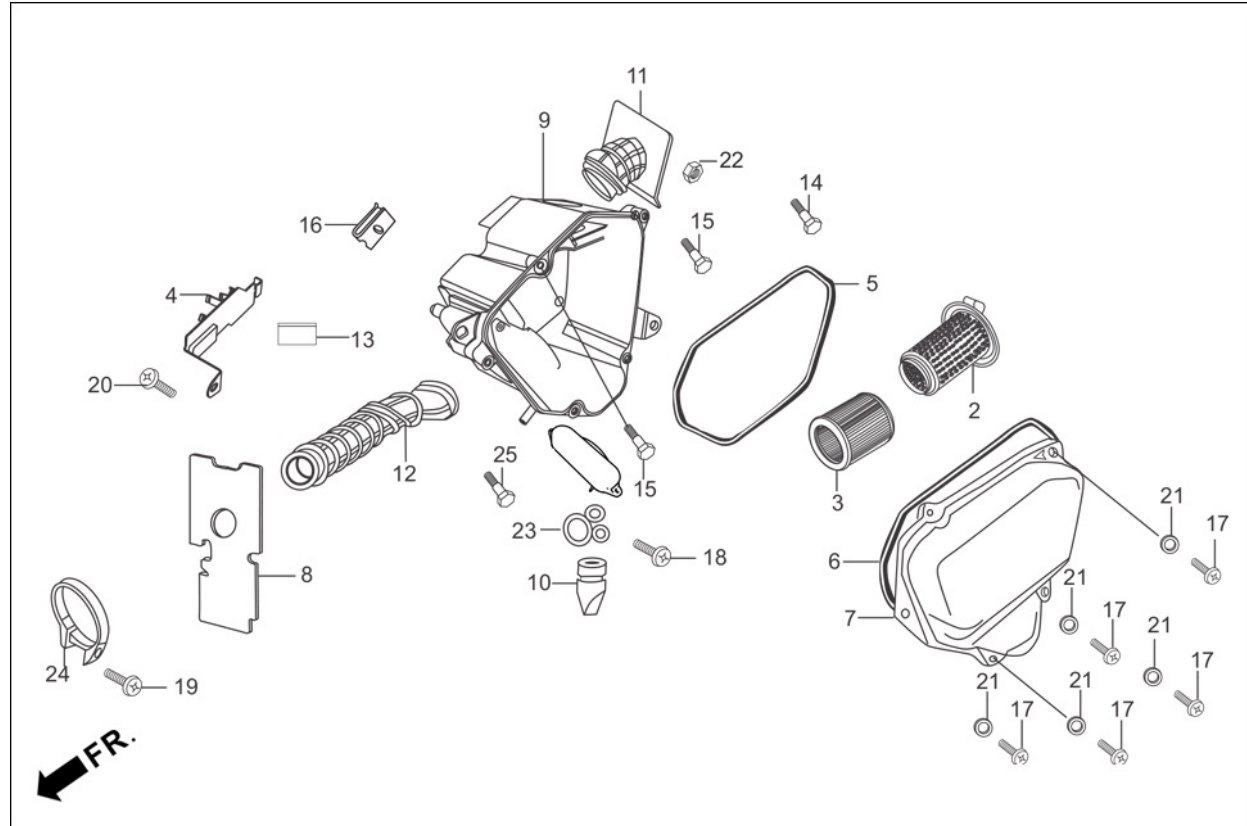


F-14 : SIDE COVER

Group Number: F-14 **Model ::** Passion Pro TR (July, 2014)

Ref No.	Part Number	Description	Req.
1	83500-AAC-300R	SET, R SIDE COVER(TBM,BL-002M)	1
	83500-AAC-300S	SET, R SIDE COVER(SRD,R-321)	1
2	83600-AAC-300R	SET, L SIDE COVER(TBM,BL-002M)	1
	83600-AAC-300S	SET, L SIDE COVER(SRD,R-321)	1
3	83601-MN5-000	GROMMET SIDE COVER	2
4	90101-GE0-000	SCREW, HINGE PATCH	2
5	90320-GC3-000	NUT, SPRING, M5	2
6	90381-KWA-940	SCREW SPECIAL 6×13	2
	90381-KWA-940	SCREW SPECIAL 6×13	2

F-15 : AIR CLEANER



F-15 : AIR CLEANER

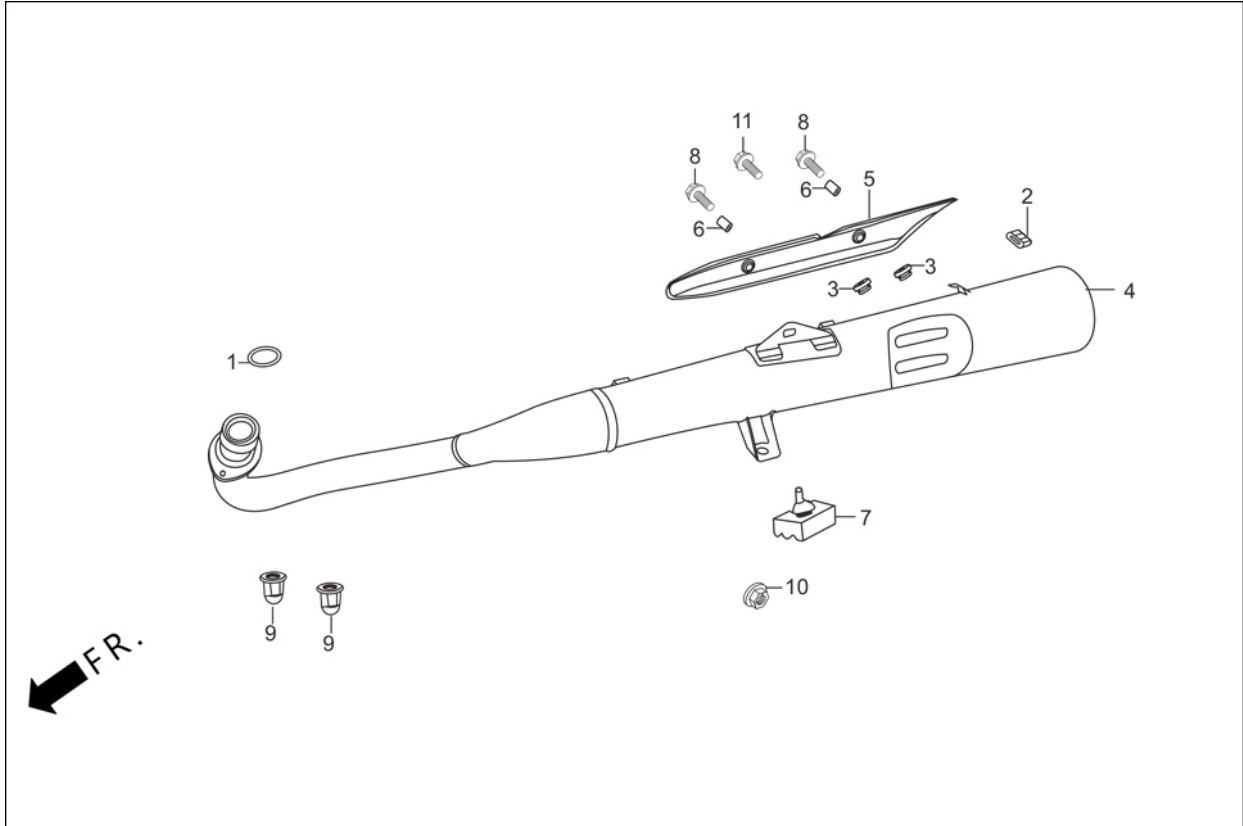
Group Number: F-15 **Model ::** Passion Pro TR (July, 2014)

Ref No.	Part Number	Description	Req.
2	17212-KTC-900	HOLDER, ELEMENT	1
3	17213-AAC-A0099	ELEMENT AIR CLEANER	1
4	17214-KWA-840	BAND, BATTERY	1
	17214-KWA-840	BAND, BATTERY	1
5	17218-KTC-900	SEAL AIR CLEANER	1
6	17219-KTC-900	SEAL, A/I CLEANER	1
	17219-KTC-900	SEAL, A/I CLEANER	1
7	17220-KWA-940	COVER AIR CLEANER	1
8	17224-KWA-830	WATER, GUARD FR	1
9	17210-KWA-840	CASE, AIR/C	1
10	17234-KCC-940	TUBE AIR CLEANER DRAIN	1
	17234-KCC-940	TUBE AIR CLEANER DRAIN	1
11	17251-KWA-940	DUCT AIR/C INLET	1
12	17253-KTC-900	TUBE, AIR/C CONN.	1
13	83407-KTR-940	RUBBER, BATTERY	1
	83407-KTR-940	RUBBER, BATTERY	1
14	90101-KWA-830	BOLT FLANGE 6X18	1
15	90111-187-000	BOLT, FLANGE. 6 MM	2
	90111-187-000	BOLT, FLANGE. 6 MM	2
16	90311-MT3-000	NUT, CLIP, 6 MM	1

F-15 : AIR CLEANER

17	93500-05010-1A	SCREW, PAN, 5X10	5
18	93903-24310	SCREW, TAPPING, 4X12	1
19	93903-25280	SCREW, TAPPING 5X12	1
20	93500-05016-0A	SCREW, PAN, 5 X 16	1
	93500-05016-0A	SCREW, PAN, 5 X 16	1
21	94101-05000	WASHER , PLAIN, 5MM	5
22	94002-08000-0S	NUT HEX.8 MM	1
23	95002-02130	CLIP B 12.5 TUBE	1
24	95018-46320	BAND 46 AIR/C CONN. TUBE	1
25	95701-06012-00	BOLT, FLANGE, 6X12	1
	95701-06012-00	BOLT, FLANGE, 6X12	1

F-16 : MUFFLER

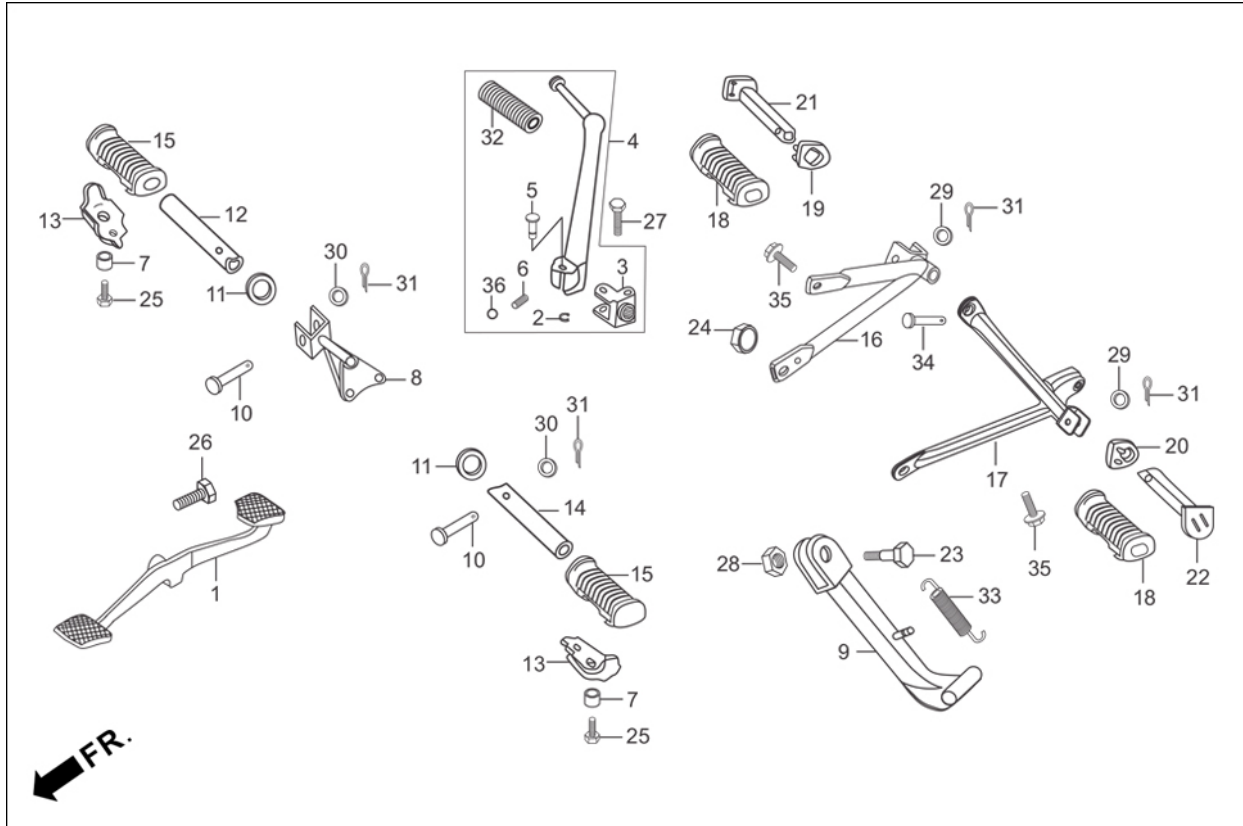


F-16 : MUFFLER

Group Number: F-16 **Model ::** Passion Pro TR (July, 2014)

Ref No.	Part Number	Description	Req.
1	18291-KTC-900	GASKET, EXHAUST PIPE	1
2	18293-KPK-900	RUBBER, PKG. PROTECTOR	1
	18293-KPK-900	RUBBER, PKG. PROTECTOR	1
3	18345-MBT-610	RUBBER, PROTECTOR, MOUNT	2
	18345-MBT-610	RUBBER, PROTECTOR, MOUNT	2
4	18350-AAC-500	MUFFLER COMP EXH.	1
5	18355-KWA-830	COVER, MUFFLER	1
6	33619-459-840A	COLLAR,WINKER STAY	2
	33619-459-840A	COLLAR,WINKER STAY	2
7	50505-KCC-900	STOPPER RUBBER, A STAND	1
	50505-KCC-900	STOPPER RUBBER, A STAND	1
8	90107-KAN-900	BOLT, BODY COVER SET	2
	90107-KAN-900	BOLT, BODY COVER SET	2
9	90304-438-000	NUT, HEX. CAP, 6 MM	2
10	94050-08000	NUT, FLANGE, 8MM	1
	94050-08000	NUT, FLANGE, 8MM	1
11	95701-08016-00	BOLT, FLANGE, 8X16	1
	95701-08016-00	BOLT, FLANGE, 8X16	1

F-17 : STEP ASSY./KICK STARTER



F-17 : STEP ASSY./KICK STARTER

Group Number: F-17 **Model ::** Passion Pro TR (July, 2014)

Ref No.	Part Number	Description	Req.
1	24701-KWA-940	PEDAL, GEAR CHANGE	1
2	28293-KAG-900	CLIP, KICK STARTER	1
3	28302-KWA-940	JOINT KICK ARM	1
4	2830A-KWA-941	ARM, SUB ASSY., KICK STARTER	1
5	28321-427-770	PIN KICK STARTER	1
6	28333-124-000	SPRING, KICK STARTER STOPPER	1
7	37243-323-000	COLLAR , METER SET	2
	37243-323-000	COLLAR , METER SET	2
8	50160-KCC-900	BRACKET COMP., R STEP	1
9	50530-KCC-900	BAR COMP. SIDE STAND	1
10	50603-KB4-000	PIN, MAIN STEP BAR JOINT	2
11	50614-413-000	WASHER, MAIN STEP	2
	50614-413-000	WASHER, MAIN STEP	2
12	50618-KCC-000	BAR R STEP	1
13	50619-425-010	STOPPER, STEP RUBBER	2
14	50619-KCC-000	BAR L STEP	1
15	50661-425-670	RUBBER STEP	2
	50661-425-670	RUBBER STEP	2
16	50701-KWA-830	BRACKET COMP, RPILLION STEP	1
17	50702-KST-940	BRACKET COMP. L PILLION STEP	1

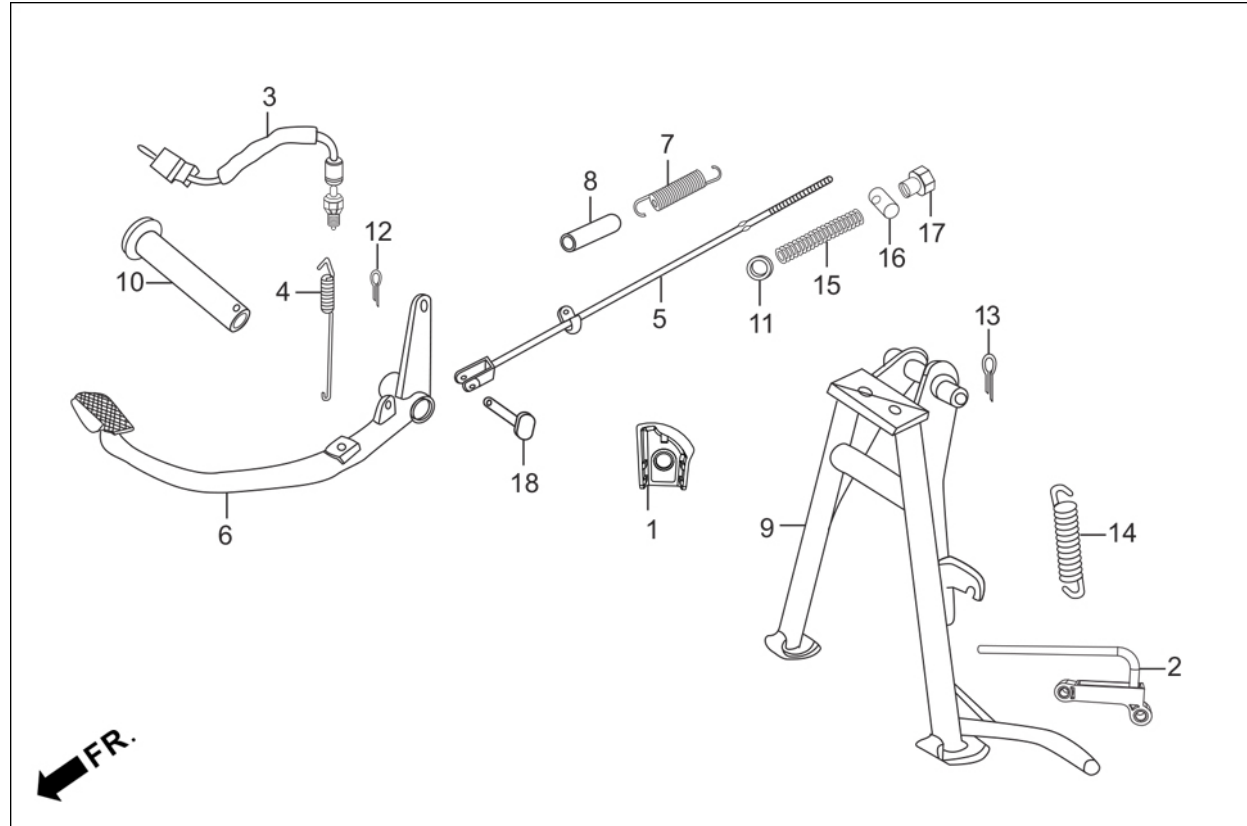
F-17 : STEP ASSY./KICK STARTER

18	50710-461-770	RUBBER, STEP PILLION	2
	50710-461-770	RUBBER, STEP PILLION	2
19	50712-438-730	WASHER, R PILLON STEP	1
	50712-438-730	WASHER, R PILLON STEP	1
20	50713-438-730	WASHER L PILLOIN STEP	1
	50713-438-730	WASHER L PILLOIN STEP	1
21	50715-KCC-900	BAR R PILLION STEP	1
	50715-KCC-900	BAR R PILLION STEP	1
22	50718-KCC-900	BAR L PILLION STEP	1
	50718-KCC-900	BAR L PILLION STEP	1
24	90304-KST-942	NUT FLG.PT 10MM	1
	90304-KST-942	NUT FLG.PT 10MM	1
25	92000-06016-0A	BOLT, HEX., 6 X 16	2
	92000-06016-0A	BOLT, HEX., 6 X 16	2
26	92000-06020-0H	BOLT HEX., 6 X 20	1
27	92101-06032-0A	BOLT, FLANGE, 6 X 32	1
28	94030-10000	NUT HEX., 10MM	1
	94030-10000	NUT HEX., 10MM	1
29	94101-06000	WASHER, PLAIN, 6 MM	2
	94101-06000	WASHER, PLAIN, 6 MM	2
30	94101-08000	WASHER, PLAIN, 8MM	2
	94101-08000	WASHER, PLAIN, 8MM	2

F-17 : STEP ASSY./KICK STARTER

31	94201-16150	PIN, SPLIT, 1.6 X 15	4
	94201-16150	PIN, SPLIT, 1.6 X 15	4
32	95011-51000	RUBBER, A KICK STARTER	1
33	95014-72302	SPRING, C SIDE STAND	1
	95014-72302	SPRING, C SIDE STAND	1
34	95015-81000	PIN A PILLION STEP	1
35	95701-08016-07	BOLT FLANGE, 8 X 16	2
	95701-08016-07	BOLT FLANGE, 8 X 16	2
36	96211-08000	BALL STEEL 8 MM	1
	96211-08000	BALL STEEL 8 MM	1

F-18 : MAIN STAND / BRAKE PEDAL



F-18 : MAIN STAND / BRAKE PEDAL

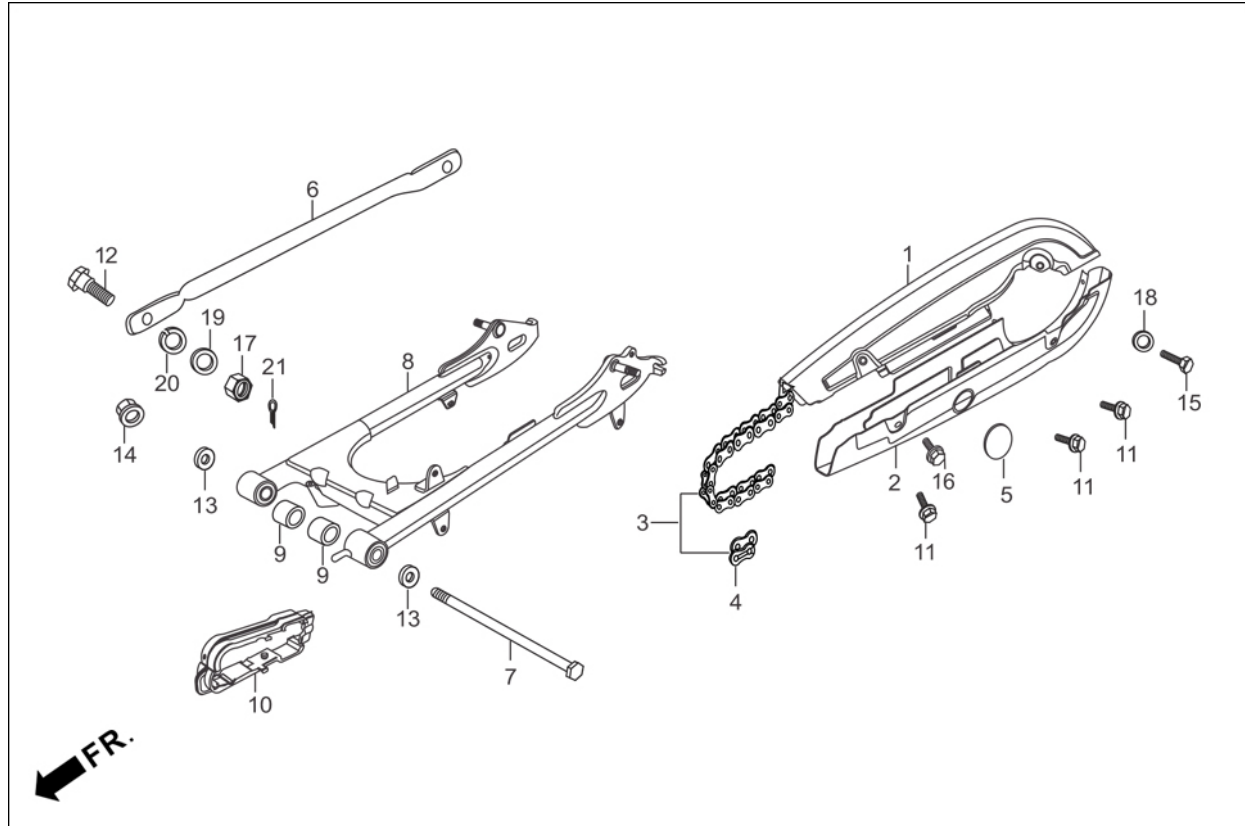
Group Number: F-18 **Model ::** Passion Pro TR (July, 2014)

Ref No.	Part Number	Description	Req.
1	35130-AAD-00099	MAGNET HOLDER	1
2	35140-AAD-00099	SENSOR ASSY SIDE STAND	1
3	35350-KWA-940	SWITCH ASSY., REAR STOP (SELF)	1
4	35357-KWA-830	SPRING, STOP SWITCH	1
5	43451-KCC-600	ROD COMP. RR. BRAKE	1
6	46500-KWA-830	PEDAL,, BRAKE.	1
7	46514-KCC-900	SPRING , BRAKE PEDAL	1
	46514-KCC-900	SPRING , BRAKE PEDAL	1
8	46515-KB9-000	TUBE , BRAKE PEDAL SPRING	1
	46515-KB9-000	TUBE , BRAKE PEDAL SPRING	1
9	50500-KCC-870	STAND COMP. MAIN	1
10	50512-KTC-900	PIPE, RR. BRAKE PIVOT	1
	50512-KTC-900	PIPE, RR. BRAKE PIVOT	1
11	90502-198-900	WASHER , BRAKE ROD	1
	90502-198-900	WASHER , BRAKE ROD	1
12	94201-20150	PIN, SPLIT, 2.0 X 15	1
	94201-20150	PIN, SPLIT, 2.0 X 15	1
13	94201-30250	PIN, SPLIT, 3.0 X 25	1
	94201-30250	PIN, SPLIT, 3.0 X 25	1
14	95014-71702	SPRING G MAIN STAND	1

F-18 : MAIN STAND / BRAKE PEDAL

	95014-71702	SPRING G MAIN STAND	1
15	95014-73100	SPRING A BRAKE ROD	1
	95014-73100	SPRING A BRAKE ROD	1
16	95015-32001	JOINT B BRAKE ARM	1
	95015-32001	JOINT B BRAKE ARM	1
17	95015-42000	NUT B ADJUST	1
	95015-42000	NUT B ADJUST	1
18	95015-53000	PIN, C JOINT	1
	95015-53000	PIN, C JOINT	1

F-19 : REAR FORK / CHAIN CASE



F-19 : REAR FORK / CHAIN CASE

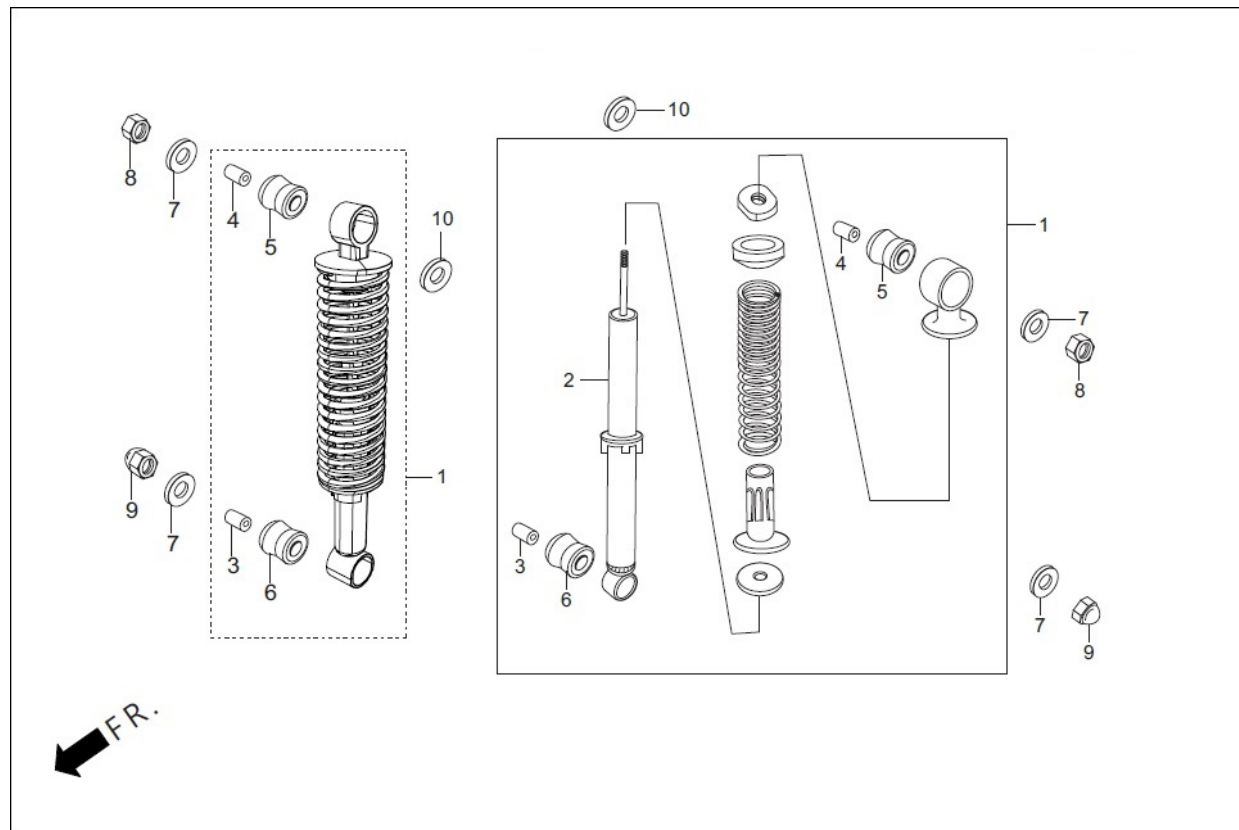
Group Number: F-19 **Model ::** Passion Pro TR (July, 2014)

Ref No.	Part Number	Description	Req.
1	40510-KWA-940	CASE UP (HALF) DRIVE CHAIN	1
2	40520-KWA-940	CASE UND (HALF) DRIVE CHAIN	1
3	40530-KST-940	CHAIN DRIVE (420-108)	1
4	40531-KTE-910	JOINT RJ.DRIVE CHAIN	1
5	40545-001-000	CAP, CHAIN PEEP HOLE	1
	40545-001-000	CAP, CHAIN PEEP HOLE	1
6	43431-198-900	ARM,RR. BRAKE STOPPER	1
7	52101-KST-940	BOLT, SWING ARM PIVOT	1
8	52110-AAC-400	SWINGARM COMP., REAR	1
9	52147-KTC-900	RUBBER BUSH, RR. FORK PIVOT	2
	52147-KTC-900	RUBBER BUSH, RR. FORK PIVOT	2
10	52170-AAJ-H40	SLIDER CHAIN	1
11	90118-383-000	BOLT, WASHER, 6 X6	3
12	90133-331-770	BOLT, HEX., 8MM	1
	90133-331-770	BOLT, HEX., 8MM	1
13	90183-KTC-900	WASHER, SPL., 12 MM	2
	90183-KTC-900	WASHER, SPL., 12 MM	2
14	90306-KTE-911	NUT, CASTLE, 12 MM	1
	90306-KTE-911	NUT, CASTLE, 12 MM	1
15	92000-06012-0A	BOLT,HEX.,6X12	1

F-19 : REAR FORK / CHAIN CASE

17	94001-08000-0S	NUT, HEX., 8 MM	1
	94001-08000-0S	NUT, HEX., 8 MM	1
18	94101-06000	WASHER, PLAIN, 6 MM	1
	94101-06000	WASHER, PLAIN, 6 MM	1
19	94101-08000	WASHER, PLAIN, 8MM	1
	94101-08000	WASHER, PLAIN, 8MM	1
20	94111-10000	WASHER, SPRING, 10MM	1
	94111-10000	WASHER, SPRING, 10MM	1
21	94201-20150	PIN, SPLIT, 2.0 X 15	1
	94201-20150	PIN, SPLIT, 2.0 X 15	1

F-20 : REAR CUSHION

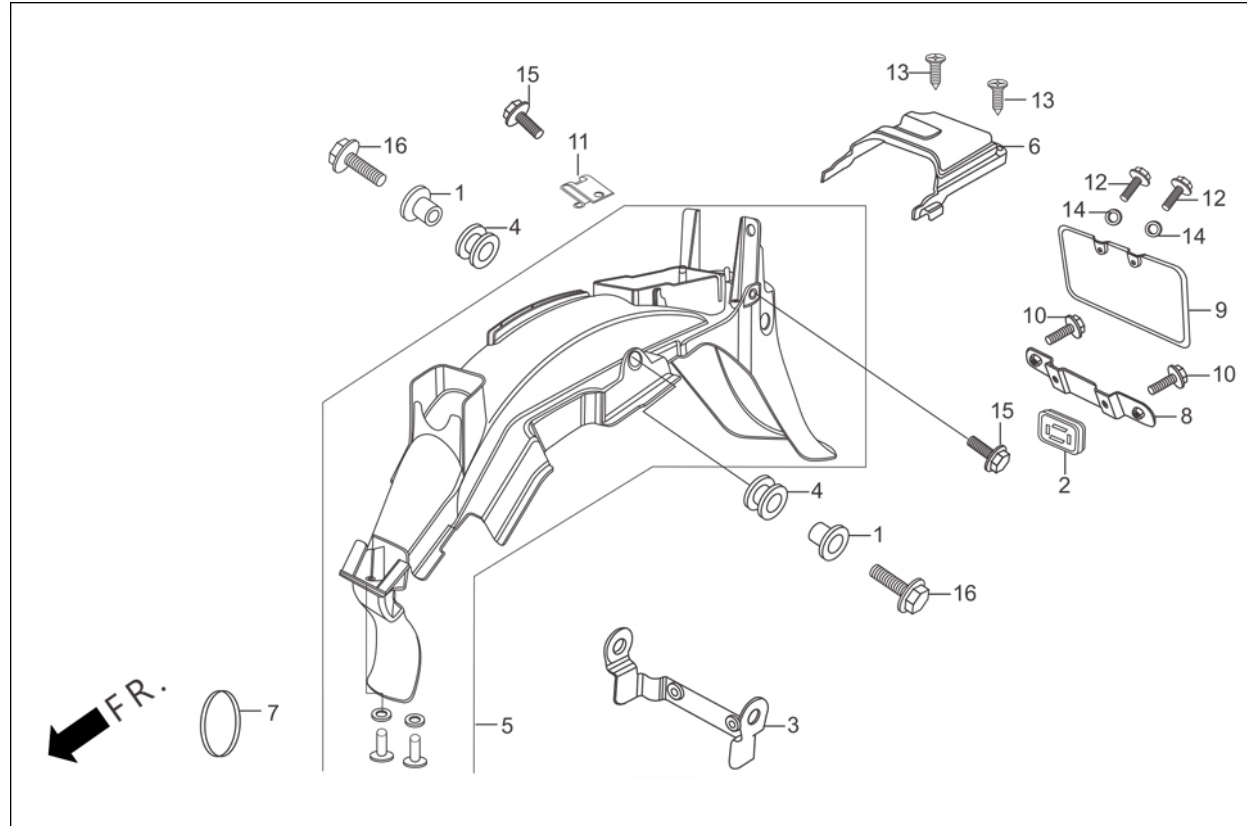


F-20 : REAR CUSHION

Group Number: F-20 **Model ::** Passion Pro TR (July, 2014)

Ref No.	Part Number	Description	Req.
1	52400-KWA-90099	CUSHION ASSY REAR	2
2	52410-KCC-871	DAMPER COMP., REAR	2
3	52486-KAG-900	COLLAR ,RUBBER BUSH (UNDER)	2
4	52486-KTN-701	COLLAR, RUBBER BUSH (UPPER)	2
5	52489-399-600	BUSH ,RUBBER (UPPER)	2
6	52495-098-000	BUSH, RUBBER (UNDER)	2
7	90551-178-000	WASHER,SPL., 10MM	4
	90551-178-000	WASHER,SPL., 10MM	4
8	94001-10000-0S	NUT, HEX., 10 MM	2
9	94021-10000-0S	NUT, HEX., CAP, 10MM	2
	94021-10000-0S	NUT, HEX., CAP, 10MM	2
10	94101-12000	WASHER, PLAIN, 12MM	2
	94101-12000	WASHER, PLAIN, 12MM	2

F-21 : REAR FENDER



F-21 : REAR FENDER

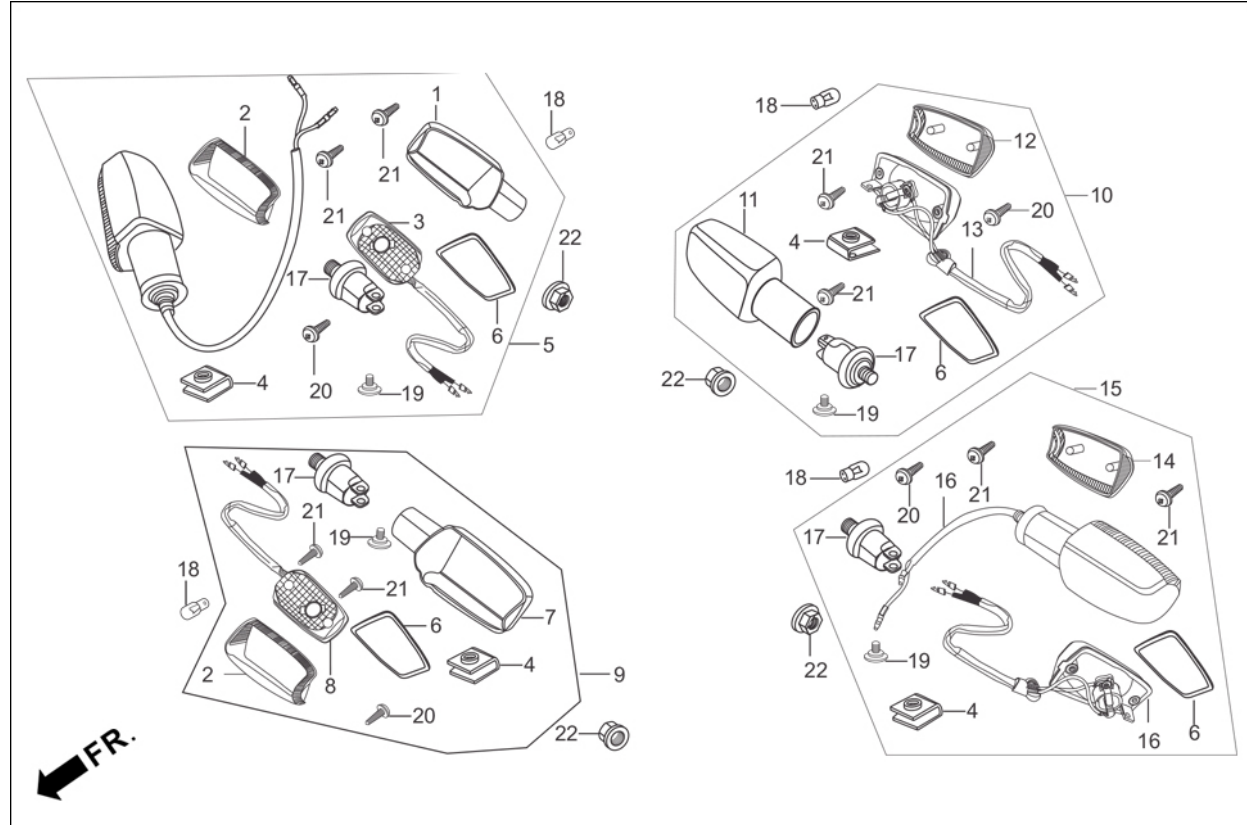
Group Number: F-21 **Model ::** Passion Pro TR (July, 2014)

Ref No.	Part Number	Description	Req.
1	17509-398-960	COLLAR, TANK SET	2
	17509-398-960	COLLAR, TANK SET	2
2	33741-KTC-900	REFLEX, REFLECTOR	1
3	50186-KWA-830	STAY, RR. WINKER	1
4	77202-KCC-900	RUBBER, SEAT MOUNTING	2
	77202-KCC-900	RUBBER, SEAT MOUNTING	2
5	80120-AAC-H30	SET, REAR FENDER	1
6	80104-KCC-870H	COVER TOOL TRAY	1
7	80123-KCC-870	BAND, TOOL	1
8	84701-KCC-860	BRACKET, NUMBER PLATE	1
	84701-KCC-860	BRACKET, NUMBER PLATE	1
9	84701-P26-D00A	NUMBER, PLATE REAR	1
10	90111-187-000	BOLT, FLANGE. 6 MM	2
	90111-187-000	BOLT, FLANGE. 6 MM	2
11	90320-GC3-000	NUT, SPRING, M5	1
12	92000-06016-0A	BOLT, HEX., 6 X 16	2
	92000-06016-0A	BOLT, HEX., 6 X 16	2
13	93913-25210	SCREW, TAPPING, 5 X 12	2
14	94101-06000	WASHER, PLAIN, 6 MM	2
	94101-06000	WASHER, PLAIN, 6 MM	2

F-21 : REAR FENDER

15	95701-06012-00	BOLT, FLANGE, 6X12	2
	95701-06012-00	BOLT, FLANGE, 6X12	2
16	95701-06020-00	BOLT, FLANGE, 6X20	2
	95701-06020-00	BOLT, FLANGE, 6X20	2

F-22 : WINKERS



F-22 : WINKERS

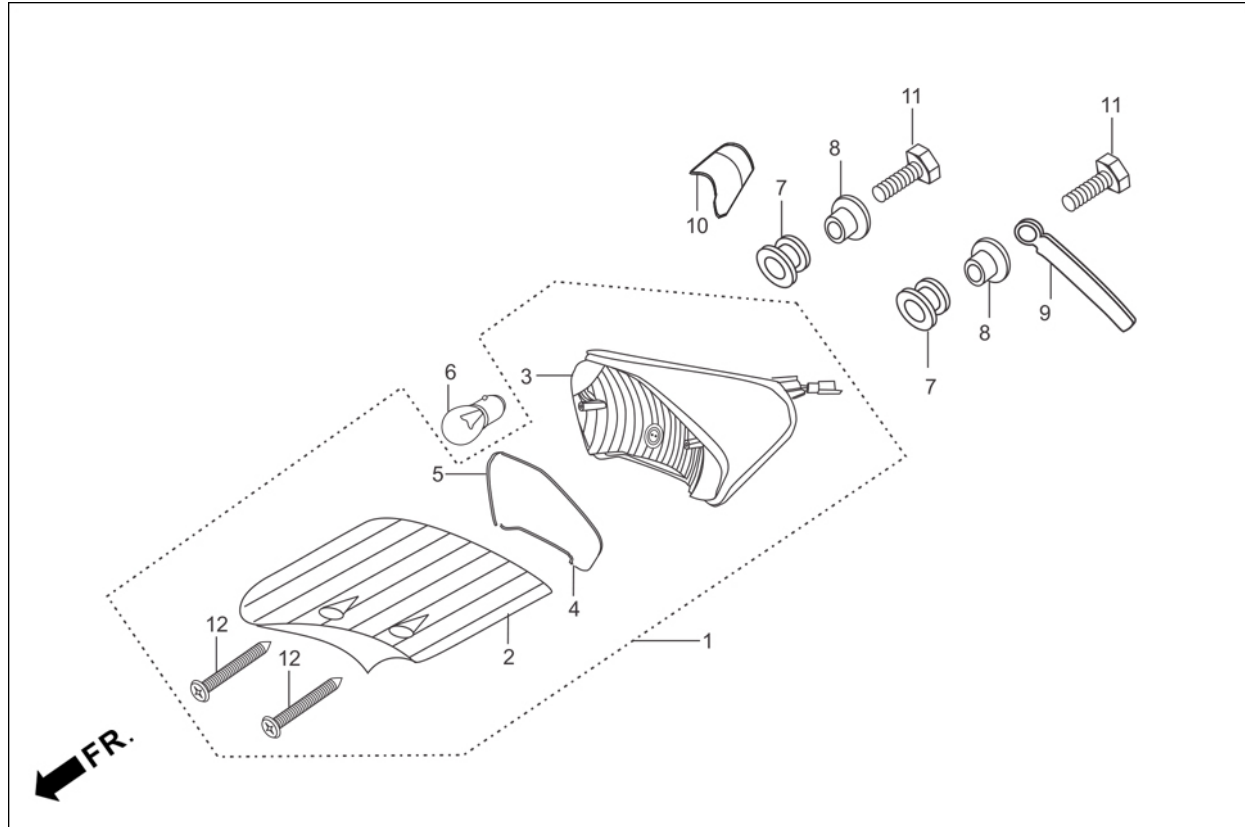
Group Number: F-22 **Model ::** Passion Pro TR (July, 2014)

Ref No.	Part Number	Description	Req.
1	33401-KCC-730	BASE, WINKER R FR./L RR	1
2	33402-KCC-690Z	LENS WINKER	2
3	33405-KCC-730A	REFLECTOR WINKER R. FR.	1
4	33407-KCC-900	SPECIAL NUT	4
5	3340A-KWA-931	WINKER ASSY., R FR (W/O BULB)	1
6	33408-KCC-730	PACKING, LENS	4
7	33451-KCC-730	BASE, WINKER L FR./R RR	1
8	33455-KCC-730A	REFLECTOR L. FR.	1
9	3345A-KWA-931	WINKER ASSY., L FR (W/O BULB)	1
10	3360A-KWA-831	WINKER ASSY., R RR (W/O BULB)	1
11	33601-KWA-831	BASE WINKER R	1
12	33603-KWA-831	LENS COMP. R WINKER	1
13	33615-KWA-831	SOCKET COMP R,WINKER RR	1
14	33653-KWA-831	LENS COMP. L WINKER	1
15	3365A-KWA-831	WINKER ASSY., L RR (W/O BULB)	1
16	33665-KWA-831	SOCKET COMP. L WINKER	1
17	33491-KAF-000	STAY COMP., WINKER	4
18	34930-AAC-700	BULB(12V 10W) AMBER	4
	34930-AAC-700	BULB(12V 10W) AMBER	4
19	90380-MB2-000	SCREW, SPECIAL, 6 X 8	4

F-22 : WINKERS

20	93700-04012-1G	SCREW OVAL 4 X 12	4
21	93901-22310	SCREW, TAPPING, 3 X 12	8
22	94050-10000	NUT, FLANGE, 10MM	4
	94050-10000	NUT, FLANGE, 10MM	4

F-23 : TAIL LIGHT

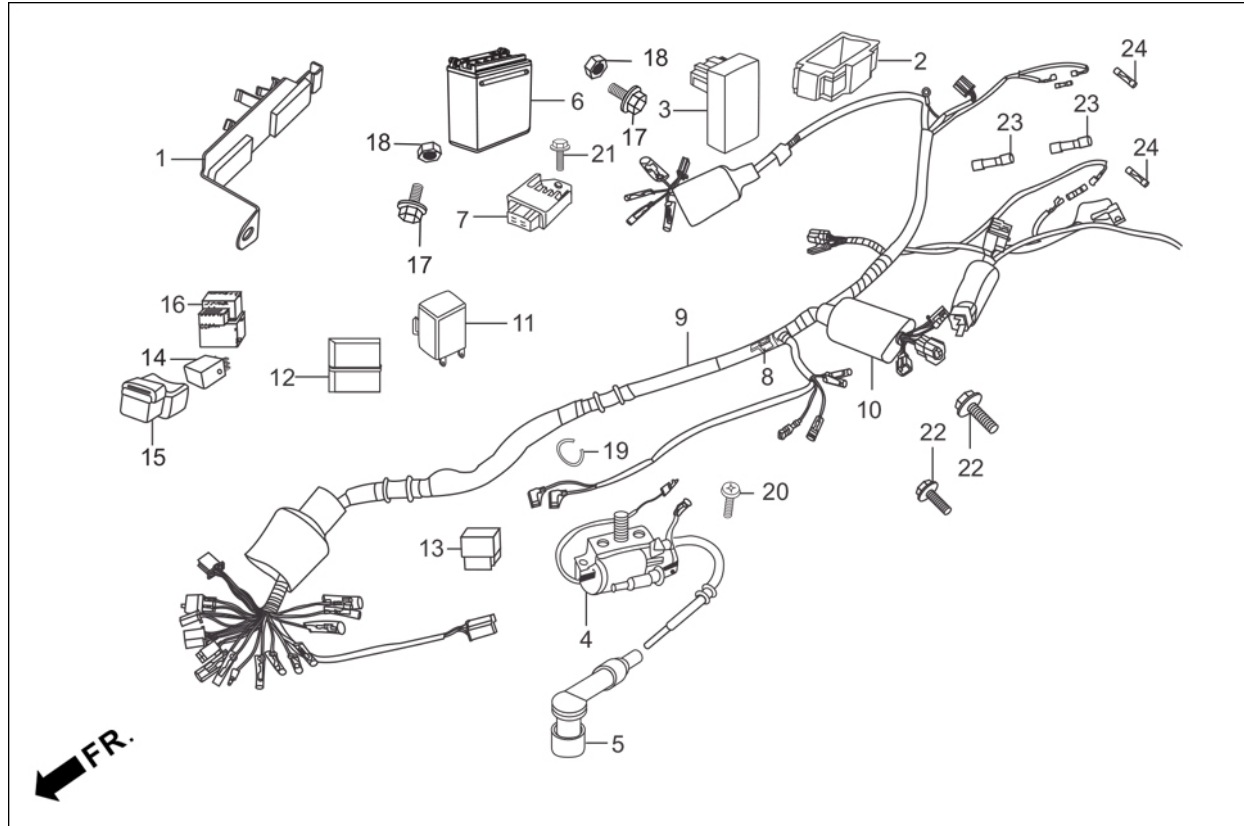


F-23 : TAIL LIGHT

Group Number: F-23 **Model ::** Passion Pro TR (July, 2014)

Ref No.	Part Number	Description	Req.
1	3370B-AAC-H00	UNIT TAIL LIGHT(W/O BULB)	1
2	33702-AAC-H00	LENS COMP TAIL	1
3	33704-AAC-H00	BASE COMP TAIL	1
4	33705-KWA-830	PACKING A.	1
5	33706-KWA-830	PACKING B.	1
6	34906-GK8-700	BULB,TAIL LIGHT(12V-10/5W)	1
7	61103-357-000	RUBBER FR. FENDER MOUNT	2
8	61104-KM7-910	COLLAR,FAIRING	2
9	61317-KCC-900	GUIDE `A	1
10	77237-KWA-830	COVER, LICENSE LIGHT	1
11	92000-05022-0H	BOLT, HEX., 5 X 22	2
12	93901-24580	SCREW, TAPPING 4X20	2

F-24 : WIRE HARNESS / BATTERY



F-24 : WIRE HARNESS / BATTERY

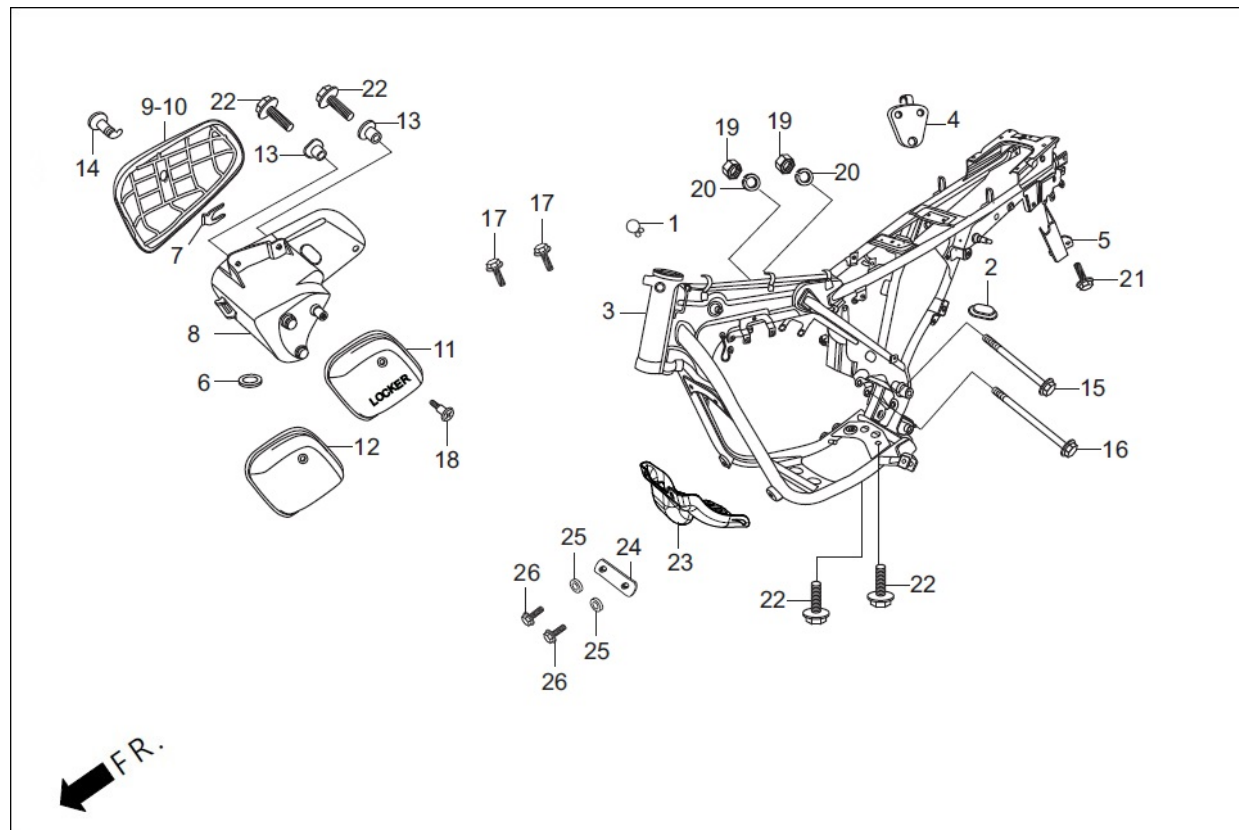
Group Number: F-24 **Model ::** Passion Pro TR (July, 2014)

Ref No.	Part Number	Description	Req.
1	17214-KWA-840	BAND, BATTERY	1
	17214-KWA-840	BAND, BATTERY	1
2	30401-KTE-910	CUSHION, C.D.I. UNIT	1
	30401-KTE-910	CUSHION, C.D.I. UNIT	1
3	30410-AAF-001	UNIT COMP CDI	1
4	30500-AAF-H00	COIL ASSY.IGN.	1
5	30700-KWA-831	CAP ASSY,NOISE SUPPRESSOR	1
	30700-KWA-831	CAP ASSY,NOISE SUPPRESSOR	1
6	31500-KVT-801	BATTERY, ASSY.	1
	31500-KVT-801	BATTERY, ASSY.	1
7	31600-KWA-831	REG. REC. COMP.	1
8	31700-124-000	RECTIFIER ASSY., SILICON	1
	31700-124-000	RECTIFIER ASSY., SILICON	1
9	32100-AAC-010	HARNESS WIRE (SELF)	1
10	32108-GW6-700	COVER ,CONNECTOR	1
11	38301-KWA-831	RELAY COMP., WINKER	1
12	38306-GE7-000	SUSPENSION, WINKER RELAY	1
	38306-GE7-000	SUSPENSION, WINKER RELAY	1
13	38501-KTP-890	RELAY COMP., START	1
14	38502-KSP-910	RELAY COMP., POWER (MICRO ISO 5P)	1

F-24 : WIRE HARNESS / BATTERY

	38502-KSP-910	RELAY COMP., POWER (MICRO ISO 5P)	1
15	38506-KSP-910	SUS., POWER RELAY	1
	38506-KSP-910	SUS., POWER RELAY	1
16	38506-KWA-840	SUSP. START RELAY	1
17	90122-KVT-941	BOLT BATTERY TERMINAL	2
18	90306-KVT-941	NUT BATTERY TERMINAL	2
19	91540-S30-003	CLIP BAND, HARN	1
20	93891-05014-18	SCREW, WASHER, 5 X 14	1
21	95701-06012-00	BOLT, FLANGE, 6X12	1
	95701-06012-00	BOLT, FLANGE, 6X12	1
22	96001-06020-00	BOLT, FLANGE, SH. 6 X 20	2
23	98200-31000	BLADE, FUSE 10A	2
	98200-31000	BLADE, FUSE 10A	2
24	98200-31500	BLADE, FUSE, 15A	2
	98200-31500	BLADE, FUSE, 15A	2

F-25 : FRAME BODY/UTILITY BOX



F-25 : FRAME BODY/UTILITY BOX

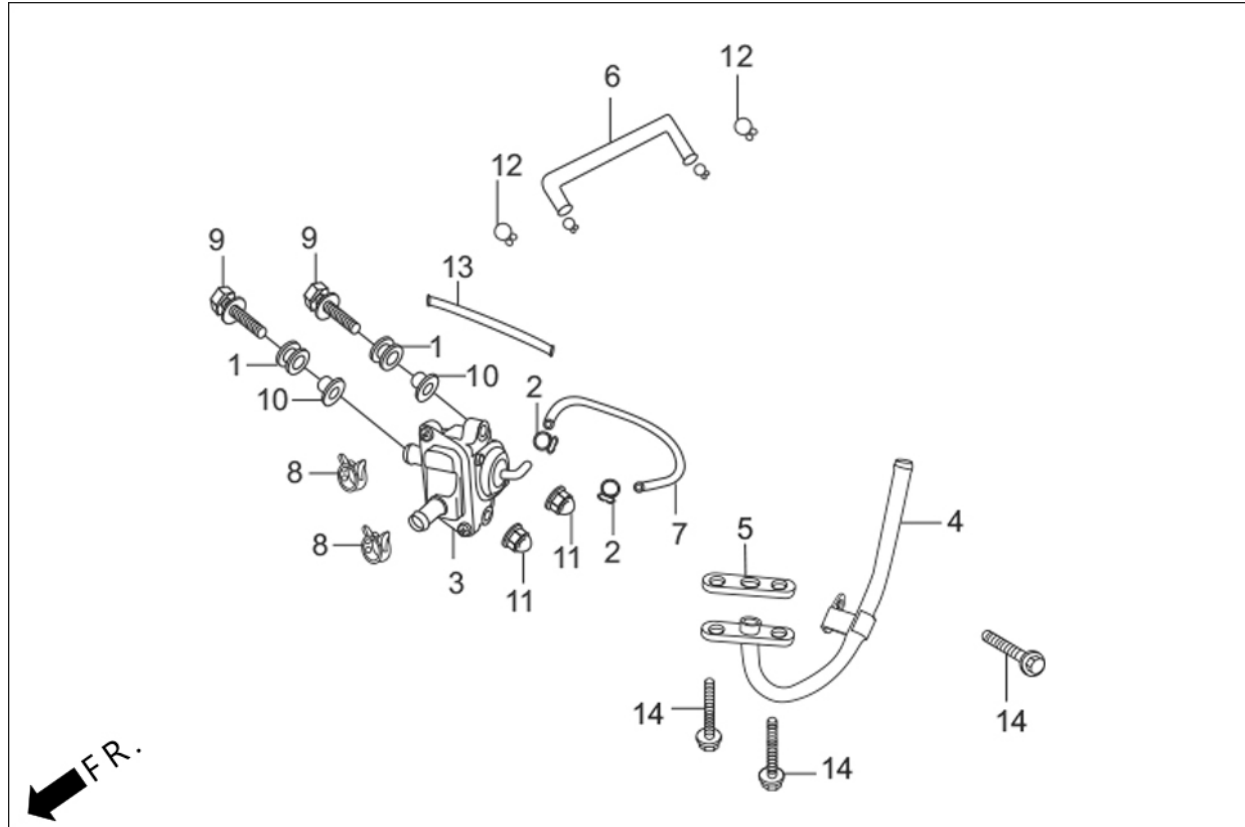
Group Number: F-25 **Model ::** Passion Pro TR (July, 2014)

Ref No.	Part Number	Description	Req.
1	17369-198-770	CLIP BREATHER TUBE	1
2	32712-ZA0-000	GROMMET, TERM/C	1
3	50100-AAC-510	FRAME BODY COMP	1
4	50211-KCC-900	PLATE, ENGINE HANGER	1
5	50250-KWA-830	COVER, SEAT LOCK, CABLE	1
6	61107-KK6-000	WASHER, 6MM	1
7	75581-673-000	SET SPRING, LOCK KEY	1
	75581-673-000	SET SPRING, LOCK KEY	1
8	83510-KWA-830	BOX, COMP., UTILITY	1
9	83512-KWA-830	COVER R UTILITY BOX	1
10	83514-KWA-840H	SET, UTILITY BOX R COVER	1
11	83518-KWA-840H	SET, UTILITY BOX L COVER	1
12	83515-KWA-940H	COVER L UTILITY BOX	1
13	83520-KTC-900	COLLAR, UTILITY BOX	2
14	83550-KWA-930	LOCK SIDE COVER	1
15	90116-KCC-900	BOLT FLANGE, 8 X 97	1
16	90117-KCC-900	BOLT, FLANGE, 8 X 110	1
17	90121-AAD-500	BOLT FLANGE 8 X 16	2
18	91509-GE2-760	SCREW, WASHER, 5 X 11.5	1
19	94030-08000	NUT, HEX., 8 MM	2

F-25 : FRAME BODY/UTILITY BOX

	94030-08000	NUT, HEX., 8 MM	2
20	94111-08000	WASHER, SPRING, 8MM	2
21	95701-06010-00	BOLT, FLANGE, 6 X 10	1
	95701-06010-00	BOLT, FLANGE, 6 X 10	1
22	95701-06016-07	BOLT, FLANGE, 6 X 16	4
23	64350-AAC-300	BASH PLATE	1
24	64311-AAC-300	STAY BASH PLATE	1
25	90324-AAC-300	COLLAR 8 MM	2
26	90111-187-000	BOLT, FLANGE. 6 MM	2
	90111-187-000	BOLT, FLANGE. 6 MM	2

F-25A : VALVE, ASSY., AIR SUCTION

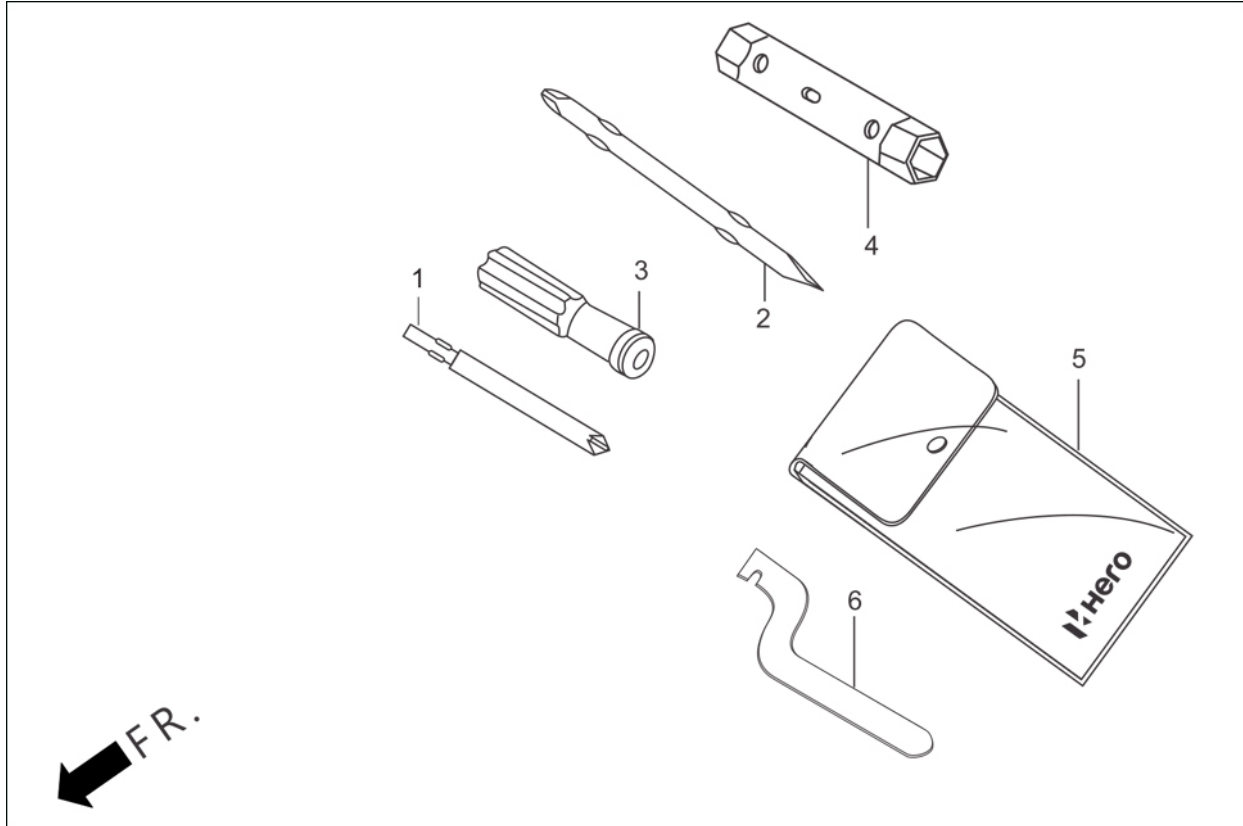


F-25A : VALVE, ASSY., AIR SUCTION

Group Number: F-25A **Model ::** Passion Pro TR (July, 2014)

Ref No.	Part Number	Description	Req.
1	17622-GB7-900	RUBBER, CUSHION	2
	17622-GB7-900	RUBBER, CUSHION	2
2	17316-611-000	CLIP, BREATHER TUBE	2
	17316-611-000	CLIP, BREATHER TUBE	2
3	18600-KWA-940	VALVE ASSY. AIR SUCTION	1
4	18640-KCC-940	PIPE, COMP. AIR FEED	1
5	18645-MT4-730	GASKET, AIR FEED PIPE	1
	18645-MT4-730	GASKET, AIR FEED PIPE	1
6	18651-KWA-940	TUBE A AVS	1
7	18652-KWA-940	TUBE B AVS	1
8	19509-198-770	CLAMP D 16 TUBE	2
9	90101-KCC-940	BOLT WASH, 6 X 25	2
10	90501-KC2-750	WASHER, REGULATOR SETTING	2
11	94021-06000-0S	NUT, HEX CAP 6MM	2
12	95002-02070	CLIP, B-7 TUBE	2
13	95005-35170-20	TUBE 3.5×170	1
14	96001-06016-00	BOLT, FLANGE SH. 6 X 16	3

F-26 : TOOLS

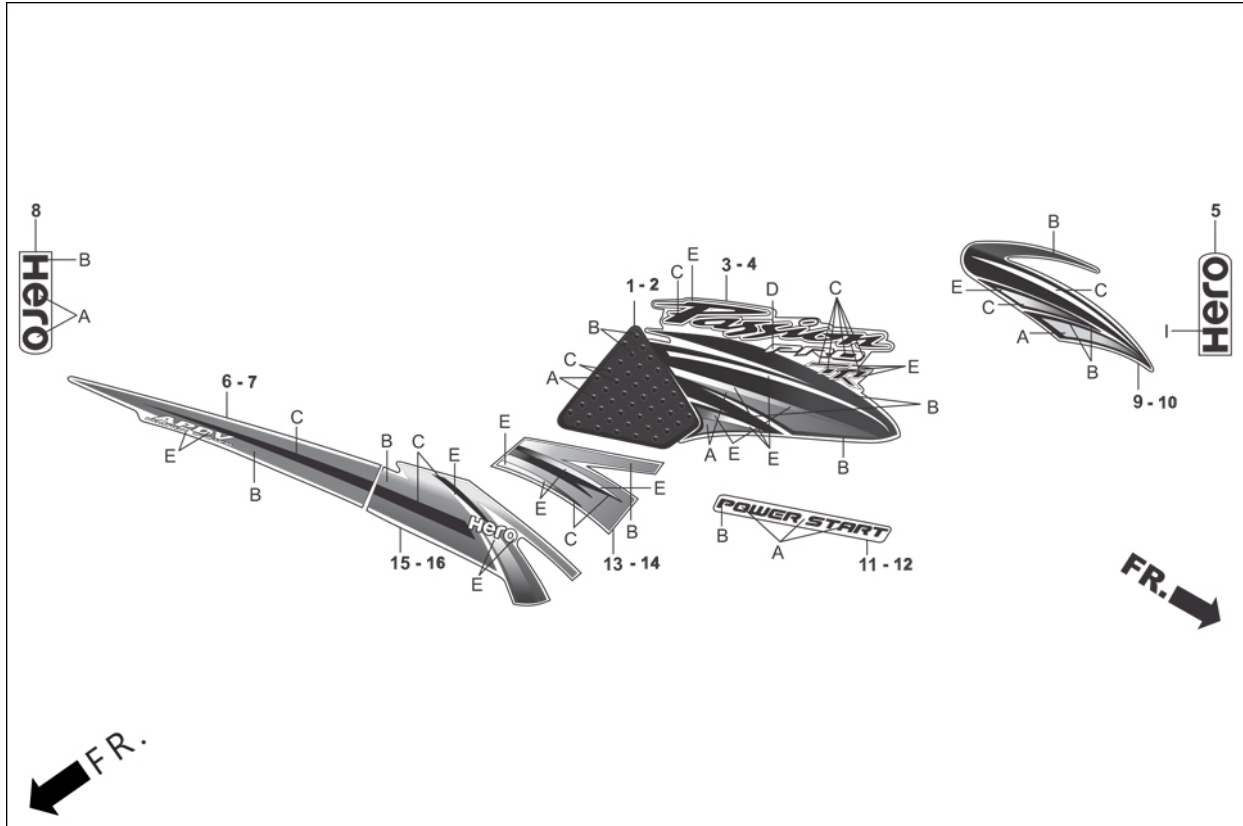


F-26 : TOOLS

Group Number: F-26 **Model ::** Passion Pro TR (July, 2014)

Ref No.	Part Number	Description	Req.
1	89102-AAC-000	NO.3 CROSS POINT SCREW DRIVER	1
2	89102-538-000	SCREW, DRIVER PLUS/MINUS	1
3	89103-538-000	GRIP, SCREW DRIVER	1
4	89215-AAC-000	BOX WRENCH P16X14	1
5	89216-AAD-H00	TOOL BAG	1
6	99007-45000	PIN, SPANNER	1

F-27 : STRIPES / MARKS / EMBLEM



F-27 : STRIPES / MARKS / EMBLEM

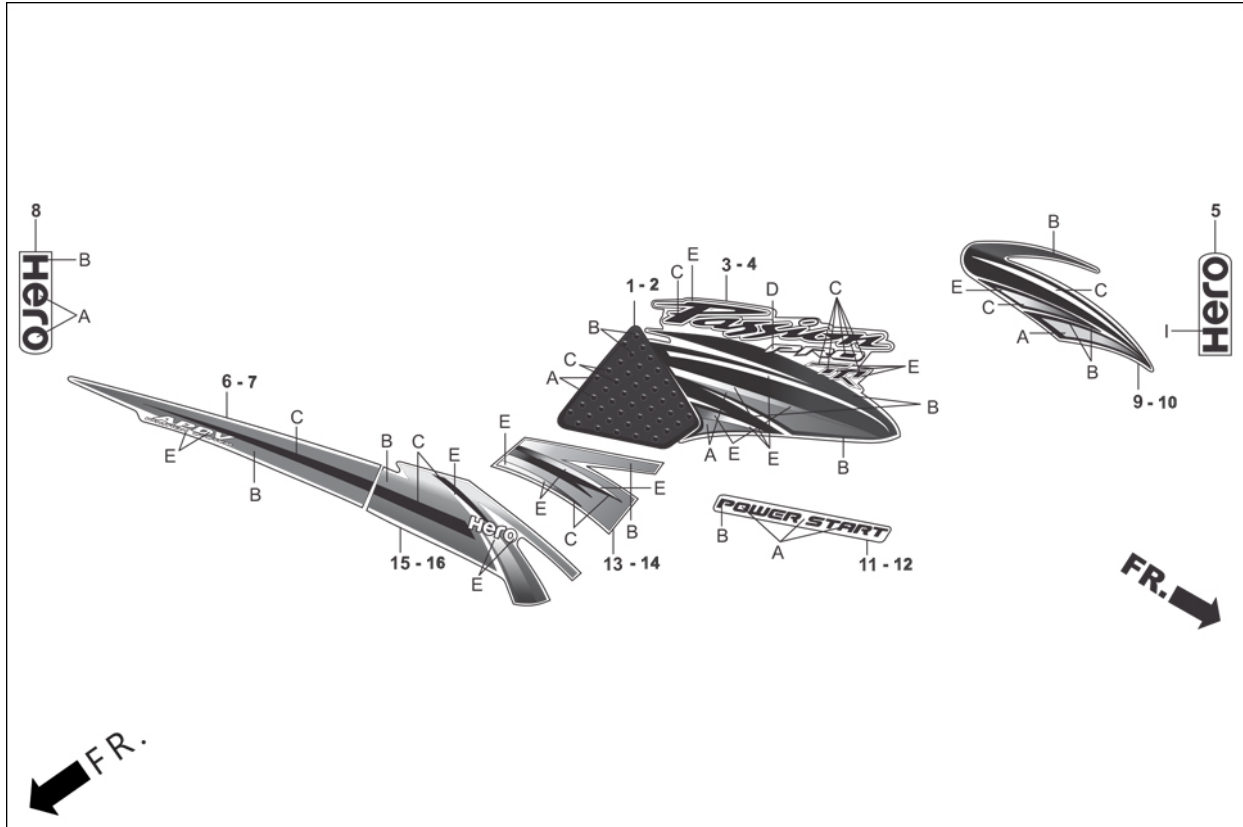
Group Number: F-27 **Model ::** Passion Pro TR (July, 2014)

Ref No.	Part Number	Description	Req.
1	17504-AAC-300	PAD R FUEL TANK	1

SPECIFIED COLOUR CHART FOR PAD RIGHT FUEL TANK

SPECIFIED COLOUR TYPE	A	B	C	D	MAIN BODY COLOUR
1	CHECKER BLACK ME.	PEARL WHITE	NH-1 BLACK	GRAY ME. GREY BORDER	TECHNO BLUE ME. (BL-002M)
1	CHECKER BLACK ME.	PEARL WHITE	NH-1 BLACK	GRAY ME. GREY BORDER	SPORTS RED (R-321)
1	CHECKER BLACK ME.	PEARL WHITE	NH-1 BLACK	GRAY ME. GREY BORDER	BLACK (NH-1) TYPE-1

F-27 : STRIPES / MARKS / EMBLEM



F-27 : STRIPES / MARKS / EMBLEM

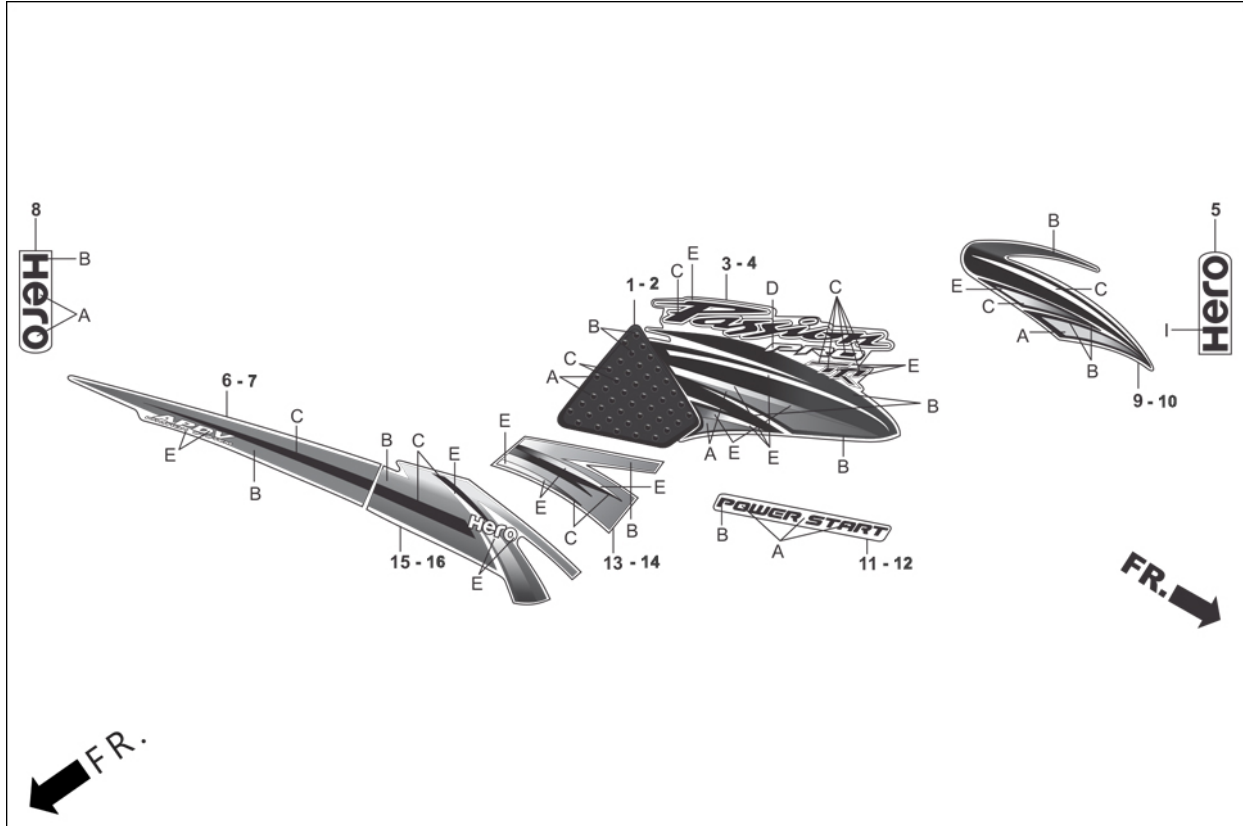
Group Number: F-27 **Model ::** Passion Pro TR (July, 2014)

Ref No.	Part Number	Description	Req.
2	17505-AAC-300	PAD L FUEL TANK	1

SPECIFIED COLOUR CHART FOR PAD LEFT FUEL TANK

SPECIFIED COLOUR TYPE	A	B	C	D	MAIN BODY COLOUR
1	CHECKER BLACK ME.	PEARL WHITE	NH-1 BLACK	GRAY ME. GREY BORDER	TECHNO BLUE ME. (BL-002M)
1	CHECKER BLACK ME.	PEARL WHITE	NH-1 BLACK	GRAY ME. GREY BORDER	SPORTS RED (R-321)
1	CHECKER BLACK ME.	PEARL WHITE	NH-1 BLACK	GRAY ME. GREY BORDER	BLACK (NH-1) TYPE-1

F-27 : STRIPES / MARKS / EMBLEM



F-27 : STRIPES / MARKS / EMBLEM

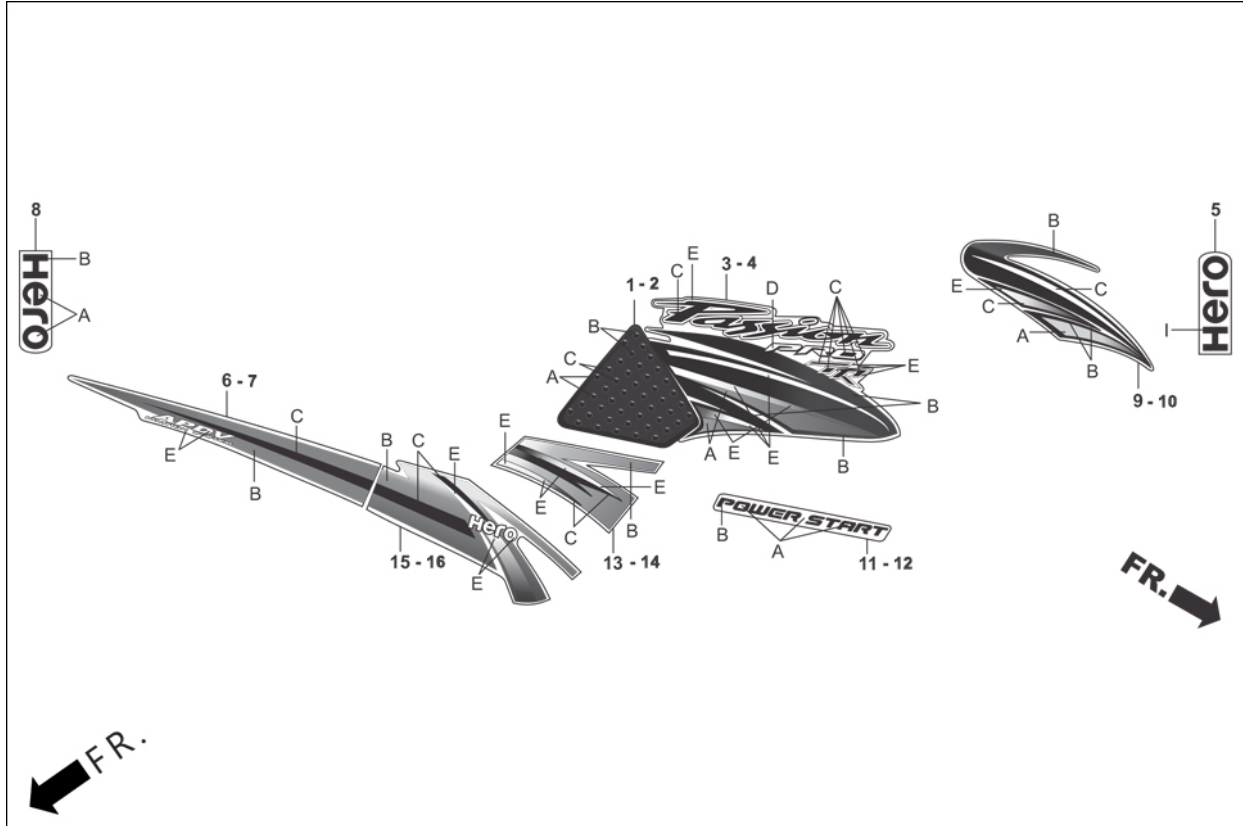
Group Number: F-27 **Model ::** Passion Pro TR (July, 2014)

Ref No.	Part Number	Description	Req.
3	17507-AAC-300R	STRIPE R FUEL TANK(TYPE-1)	1
	17507-AAC-300S	STRIPE R FUEL TANK(TYPE-2)	1
	17507-AAC-300T	STRIPE R FUEL TANK(TYPE-3)	1

SPECIFIED COLOUR CHART FOR STRIPE RIGHT FUEL TANK

SPECIFIED COLOUR TYPE	A	B	C	D	E	MAIN BODY COLOUR
1	COOL SILVER	NH-1 BLACK	NH-1 BLACK	SPORTS RED (R-321)	PEARL WHITE	TECHNO BLUE ME. (BL-002M)
2	COOL SILVER	NH-1 BLACK	NH-1 BLACK	PEARL WHITE	PEARL WHITE	SPORTS RED (R-321)
3	COOL SILVER	SPORTS RED (R-321)	NH-1 BLACK	SPORTS RED (R-321)	PEARL WHITE	BLACK (NH-1) TYPE-1

F-27 : STRIPES / MARKS / EMBLEM



F-27 : STRIPES / MARKS / EMBLEM

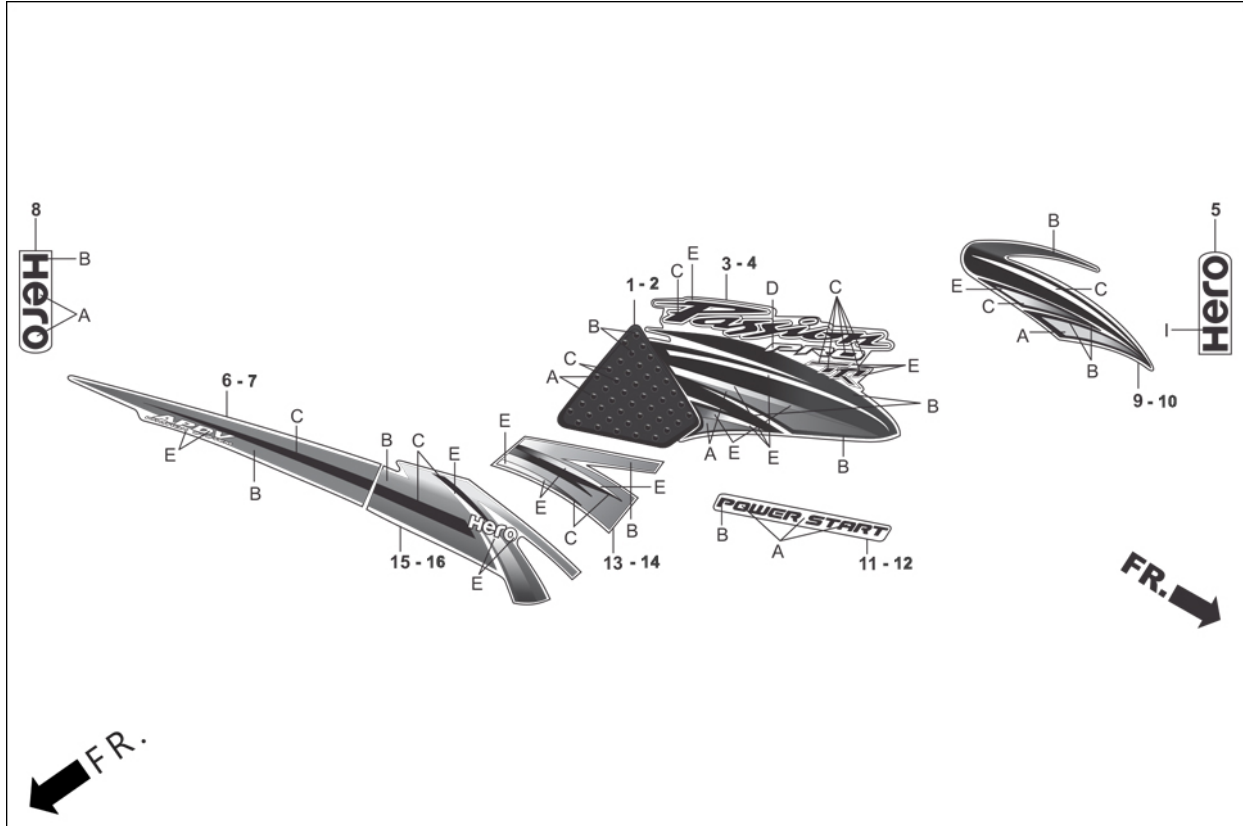
Group Number: F-27 **Model ::** Passion Pro TR (July, 2014)

Ref No.	Part Number	Description	Req.
4	17508-AAC-300R	STRIPE L FUEL TANK(TYPE-1)	1
	17508-AAC-300S	STRIPE L FUEL TANK(TYPE-2)	1
	17508-AAC-300T	STRIPE L FUEL TANK(TYPE-3)	1

SPECIFIED COLOUR CHART FOR STRIPE LEFT FUEL TANK

SPECIFIED COLOUR TYPE	A	B	C	D	E	MAIN BODY COLOUR
1	COOL SILVER	NH-1 BLACK	NH-1 BLACK	SPORTS RED (R-321)	PEARL WHITE	TECHNO BLUE ME. (BL-002M)
2	COOL SILVER	NH-1 BLACK	NH-1 BLACK	PEARL WHITE	PEARL WHITE	SPORTS RED (R-321)
3	COOL SILVER	SPORTS RED (R-321)	NH-1 BLACK	SPORTS RED (R-321)	PEARL WHITE	BLACK (NH-1) TYPE-1

F-27 : STRIPES / MARKS / EMBLEM



F-27 : STRIPES / MARKS / EMBLEM

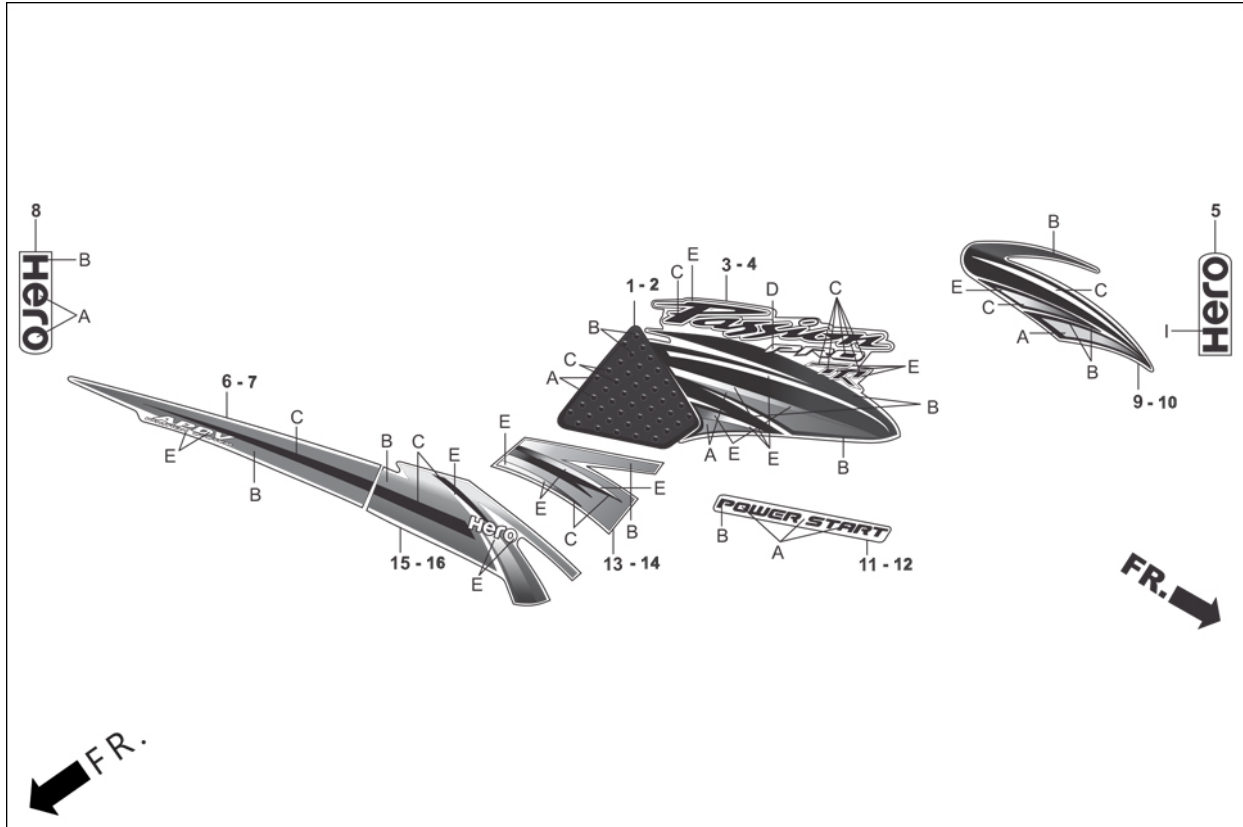
Group Number: F-27 **Model ::** Passion Pro TR (July, 2014)

Ref No.	Part Number	Description	Req.
5	61108-AAC-H40ZC	MARK,FR FENDER (TYPE-3)	1

SPECIFIED COLOUR CHART FOR STRIPE MARK FENDER

SPECIFIED COLOUR TYPE	I	MAIN BODY COLOUR
3	FORCE SILVER ME.	TECHNO BLUE ME. (BL-002M)
3	FORCE SILVER ME.	SPORTS RED (R-321)
3	FORCE SILVER ME.	BLACK (NH-1) TYPE-1

F-27 : STRIPES / MARKS / EMBLEM



F-27 : STRIPES / MARKS / EMBLEM

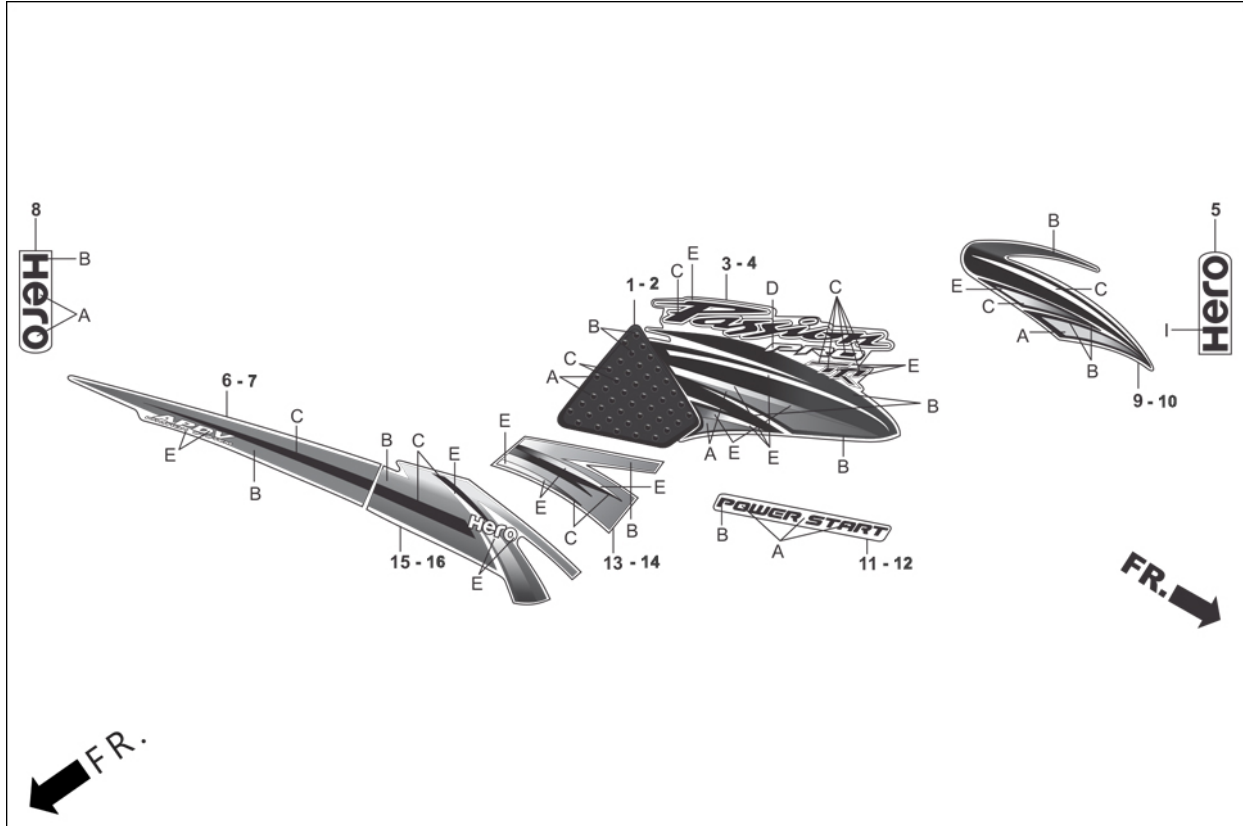
Group Number: F-27 **Model ::** Passion Pro TR (July, 2014)

Ref No.	Part Number	Description	Req.
6	77248-AAC-300R	STRIPE R SIDE COWL(TYPE-1)	1
	77248-AAC-300S	STRIPE R SIDE COWL(TYPE-2)	1

SPECIFIED COLOUR CHART FOR STRIPE RIGHT SIDE COWL

SPECIFIED COLOUR TYPE	B	C	E	MAIN BODY COLOUR
1	TECHNO BLUE ME. (BL-002M)	NH-1 BLACK	PEARL WHITE	TECHNO BLUE ME. (BL-002M)
2	SPORTS RED (R-321)	NH-1 BLACK	PEARL WHITE	SPORTS RED (R-321)
2	SPORTS RED (R-321)	NH-1 BLACK	PEARL WHITE	BLACK (NH-1) TYPE-1

F-27 : STRIPES / MARKS / EMBLEM



F-27 : STRIPES / MARKS / EMBLEM

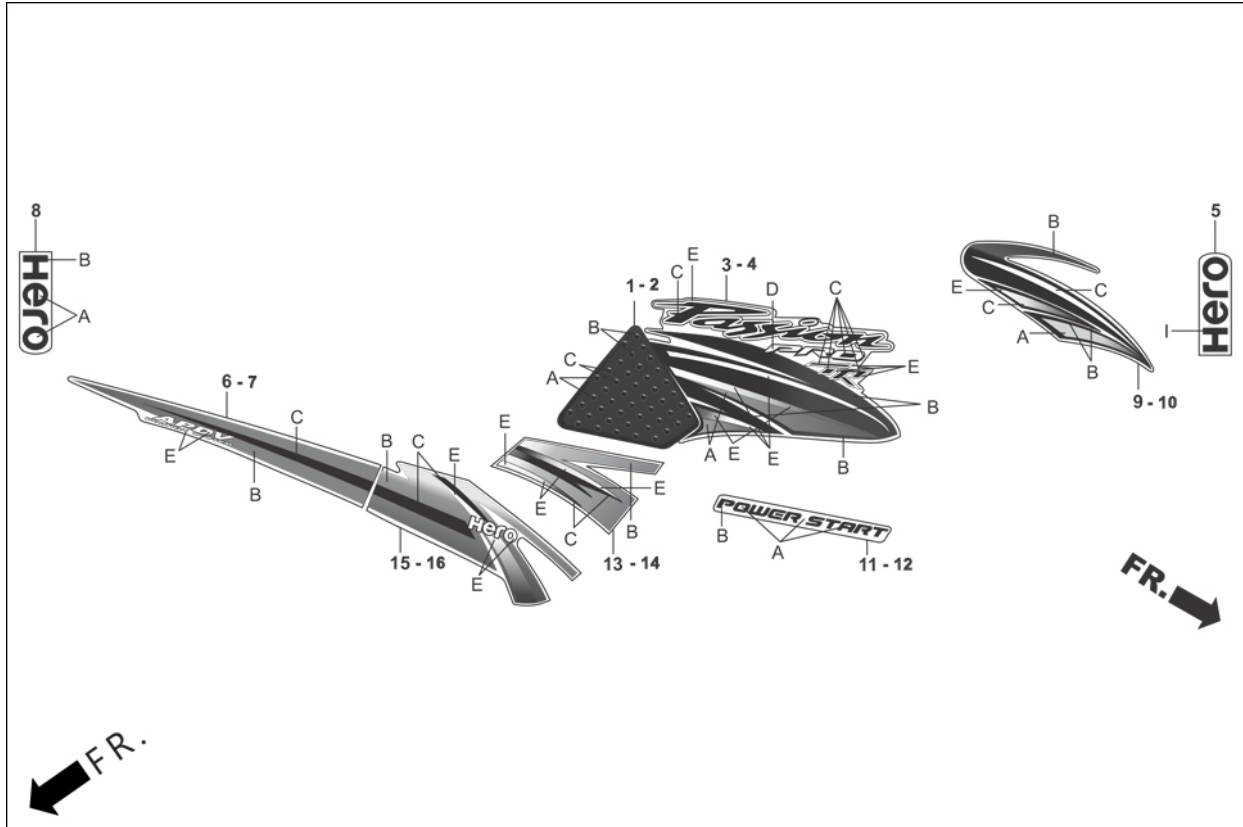
Group Number: F-27 **Model ::** Passion Pro TR (July, 2014)

Ref No.	Part Number	Description	Req.
7	77258-AAC-300R	STRIPE L SIDE COWL(TYPE-1)	1
	77258-AAC-300S	STRIPE L SIDE COWL(TYPE-2)	1

SPECIFIED COLOUR CHART FOR STRIPE LEFT SIDE COWL

SPECIFIED COLOUR TYPE	B	C	E	MAIN BODY COLOUR
1	TECHNO BLUE ME. (BL-002M)	NH-1 BLACK	PEARL WHITE	TECHNO BLUE ME. (BL-002M)
2	SPORTS RED (R-321)	NH-1 BLACK	PEARL WHITE	SPORTS RED (R-321)
2	SPORTS RED (R-321)	NH-1 BLACK	PEARL WHITE	BLACK (NH-1) TYPE-1

F-27 : STRIPES / MARKS / EMBLEM



F-27 : STRIPES / MARKS / EMBLEM

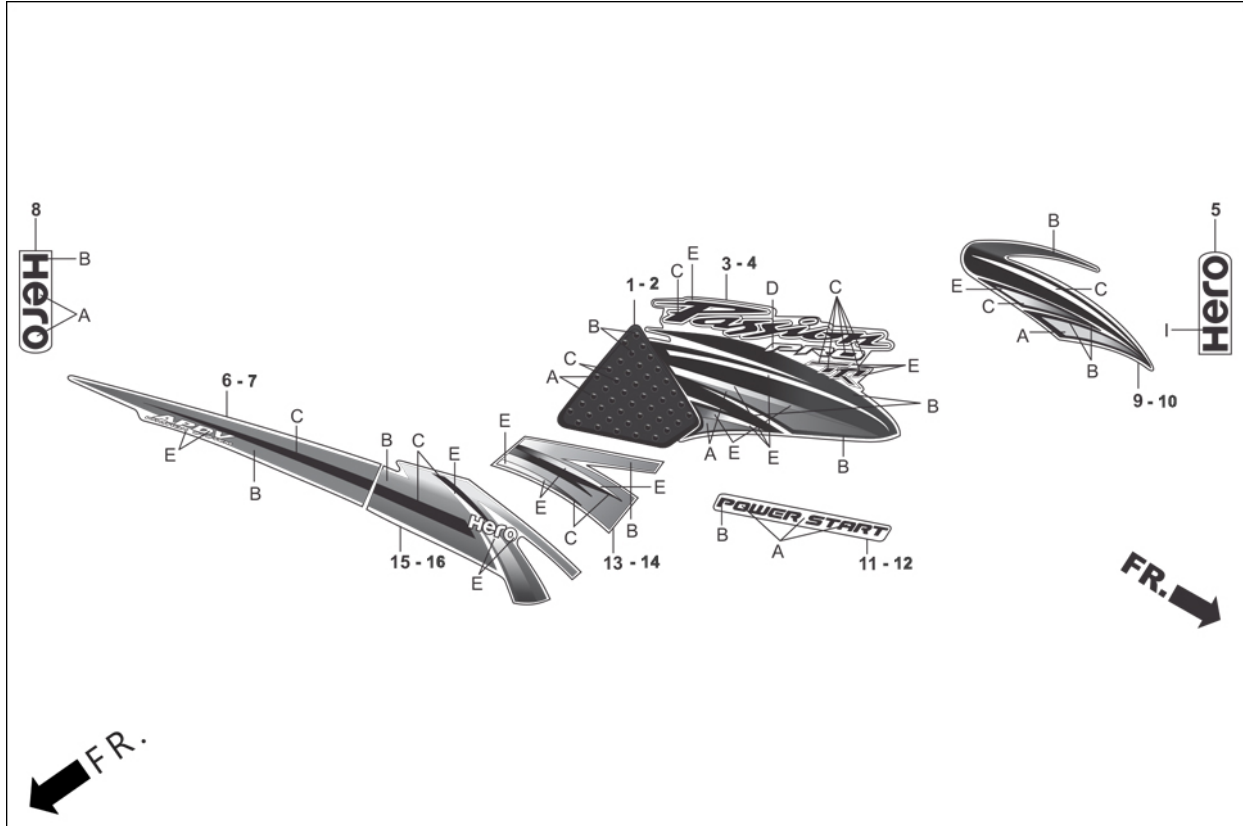
Group Number: F-27 **Model ::** Passion Pro TR (July, 2014)

Ref No.	Part Number	Description	Req.
8	80102-AAC-H30	MARK,REAR FENDER	1

SPECIFIED COLOUR CHART FOR MARK REAR FENDER

SPECIFIED COLOUR TYPE	A	B	MAIN BODY COLOUR
1	MAT BLACK	WHITE	TECHNO BLUE ME. (BL-002M)
			SPORTS RED (R-321)
			BLACK (NH-1) TYPE-1

F-27 : STRIPES / MARKS / EMBLEM



F-27 : STRIPES / MARKS / EMBLEM

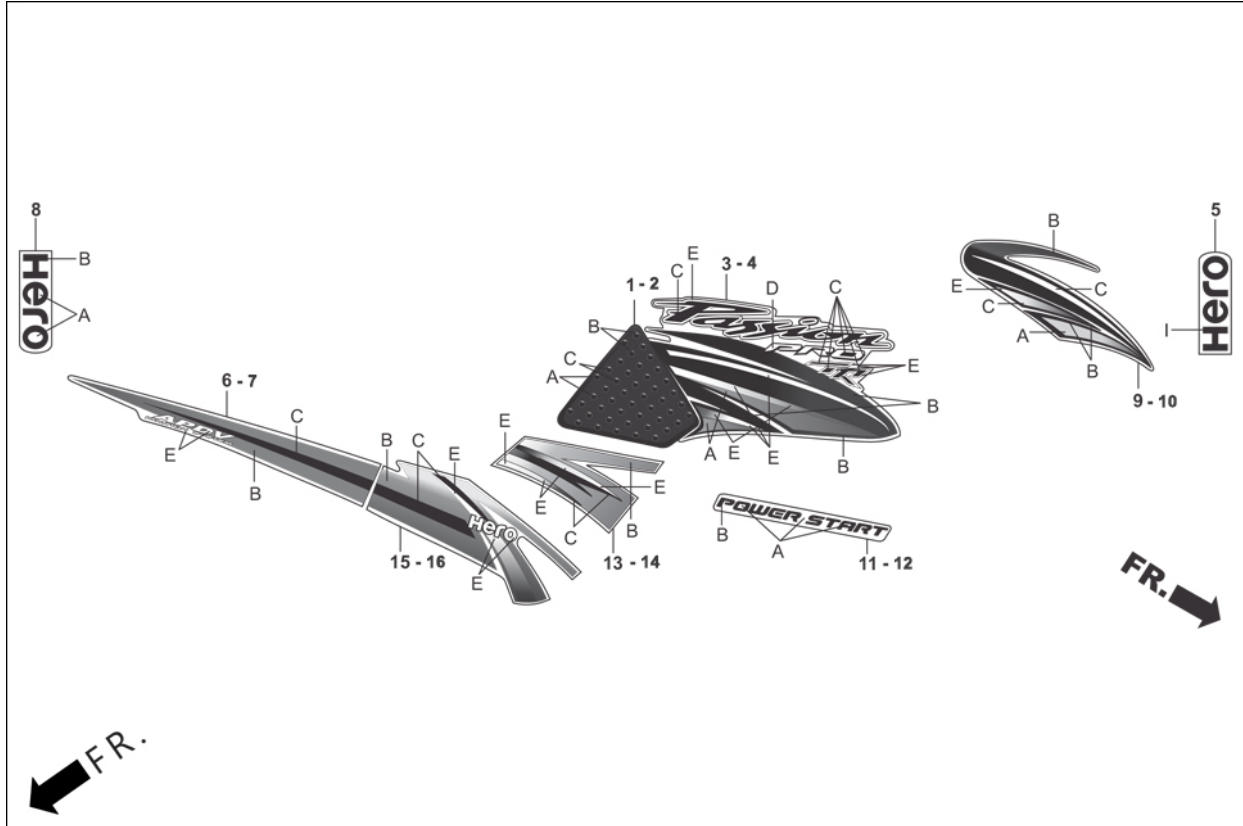
Group Number: F-27 **Model ::** Passion Pro TR (July, 2014)

Ref No.	Part Number	Description	Req.
9	83406-AAC-300R	STRIPE R FR.VISOR(TYPE-1)	1
	83406-AAC-300S	STRIPE R FR.VISOR(TYPE-2)	1

SPECIFIED COLOUR CHART FOR STRIPE RIGHT FR. VISOR

SPECIFIED COLOUR TYPE	A	B	C	E	MAIN BODY COLOUR
1	COOL SILVER	NH-1 BLACK	PEARL WHITE	PEARL WHITE	TECHNO BLUE ME. (BL-002M)
1	COOL SILVER	NH-1 BLACK	PEARL WHITE	PEARL WHITE	SPORTS RED (R-321)
2	COOL SILVER	SPORTS RED (R-321)	NH-1 BLACK	PEARL WHITE	BLACK (NH-1) TYPE-1

F-27 : STRIPES / MARKS / EMBLEM



F-27 : STRIPES / MARKS / EMBLEM

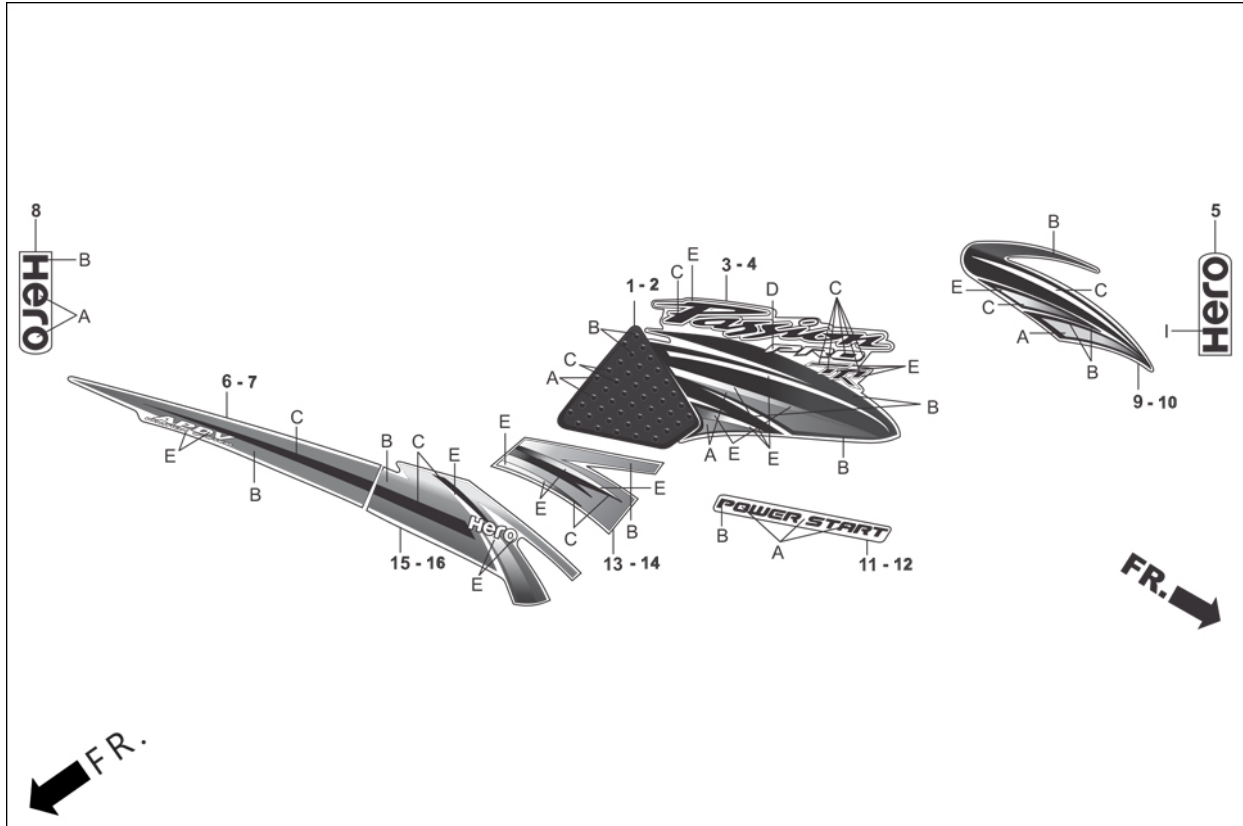
Group Number: F-27 **Model ::** Passion Pro TR (July, 2014)

Ref No.	Part Number	Description	Req.
10	83408-AAC-300R	STRIPE L FR.VISOR(TYPE-1)	1
	83408-AAC-300S	STRIPE L FR.VISOR(TYPE-2)	1

SPECIFIED COLOUR CHART FOR STRIPE LEFT FR. VISOR

SPECIFIED COLOUR TYPE	A	B	C	E	MAIN BODY COLOUR
1	COOL SILVER	NH-1 BLACK	PEARL WHITE	PEARL WHITE	TECHNO BLUE ME. (BL-002M)
1	COOL SILVER	NH-1 BLACK	PEARL WHITE	PEARL WHITE	SPORTS RED (R-321)
2	COOL SILVER	SPORTS RED (R-321)	NH-1 BLACK	PEARL WHITE	BLACK (NH-1) TYPE-1

F-27 : STRIPES / MARKS / EMBLEM



F-27 : STRIPES / MARKS / EMBLEM

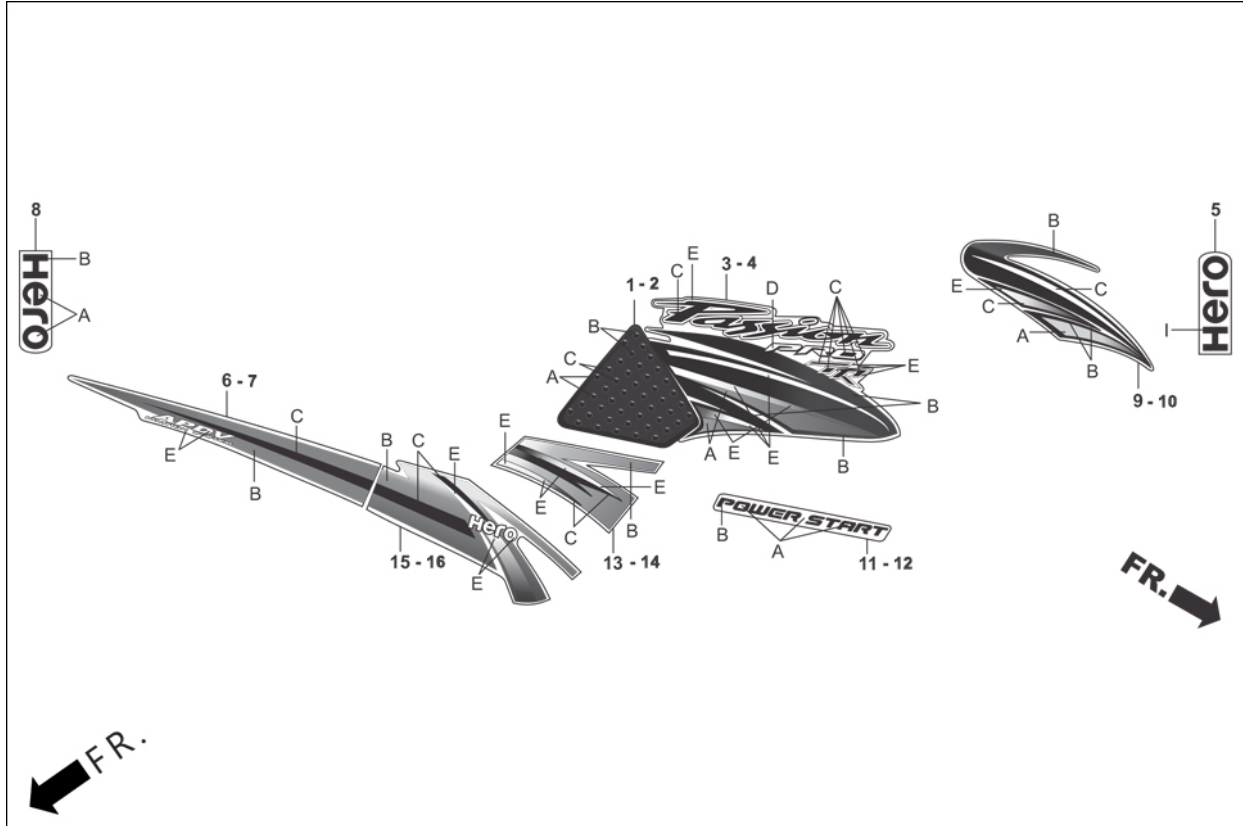
Group Number: F-27 **Model ::** Passion Pro TR (July, 2014)

Ref No.	Part Number	Description	Req.
11	83511-KWA-840	MARK,UTILITY BOX RIGHT COVER	1

SPECIFIED COLOUR CHART FOR MARK UTILITY BOX, RIGHT COVER

SPECIFIED COLOUR TYPE	A	B	MAIN BODY COLOUR
1	MAT BLACK	WHITE	TECHNO BLUE ME. (BL-002M)
			SPORTS RED (R-321)
			BLACK (NH-1) TYPE-1

F-27 : STRIPES / MARKS / EMBLEM



F-27 : STRIPES / MARKS / EMBLEM

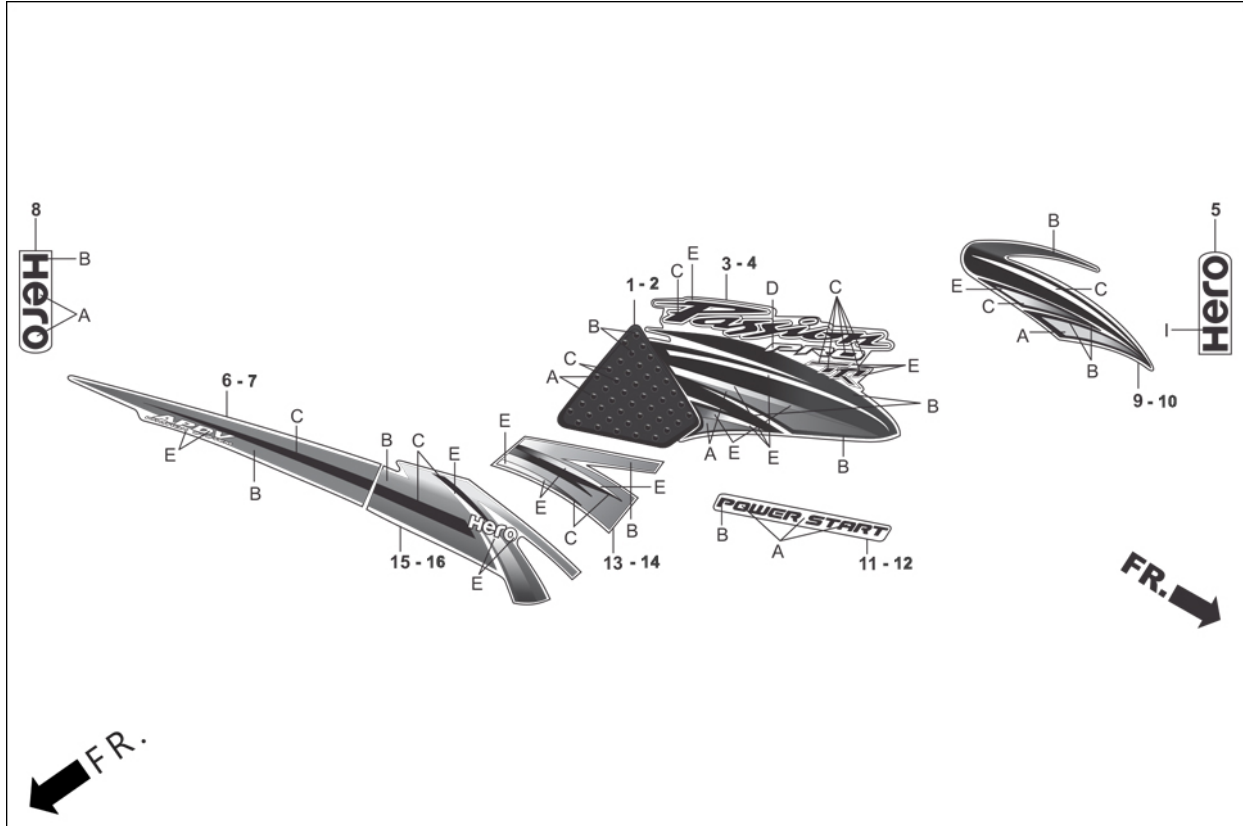
Group Number: F-27 **Model ::** Passion Pro TR (July, 2014)

Ref No.	Part Number	Description	Req.
12	83516-KWA-840	MARK,UTILITY BOX LEFT COVER	1

SPECIFIED COLOUR CHART FOR MARK UTILITY BOX, LEFT COVER

SPECIFIED COLOUR TYPE	A	B	MAIN BODY COLOUR
1	MAT BLACK	WHITE	TECHNO BLUE ME. (BL-002M)
			SPORTS RED (R-321)
			BLACK (NH-1) TYPE-1

F-27 : STRIPES / MARKS / EMBLEM



F-27 : STRIPES / MARKS / EMBLEM

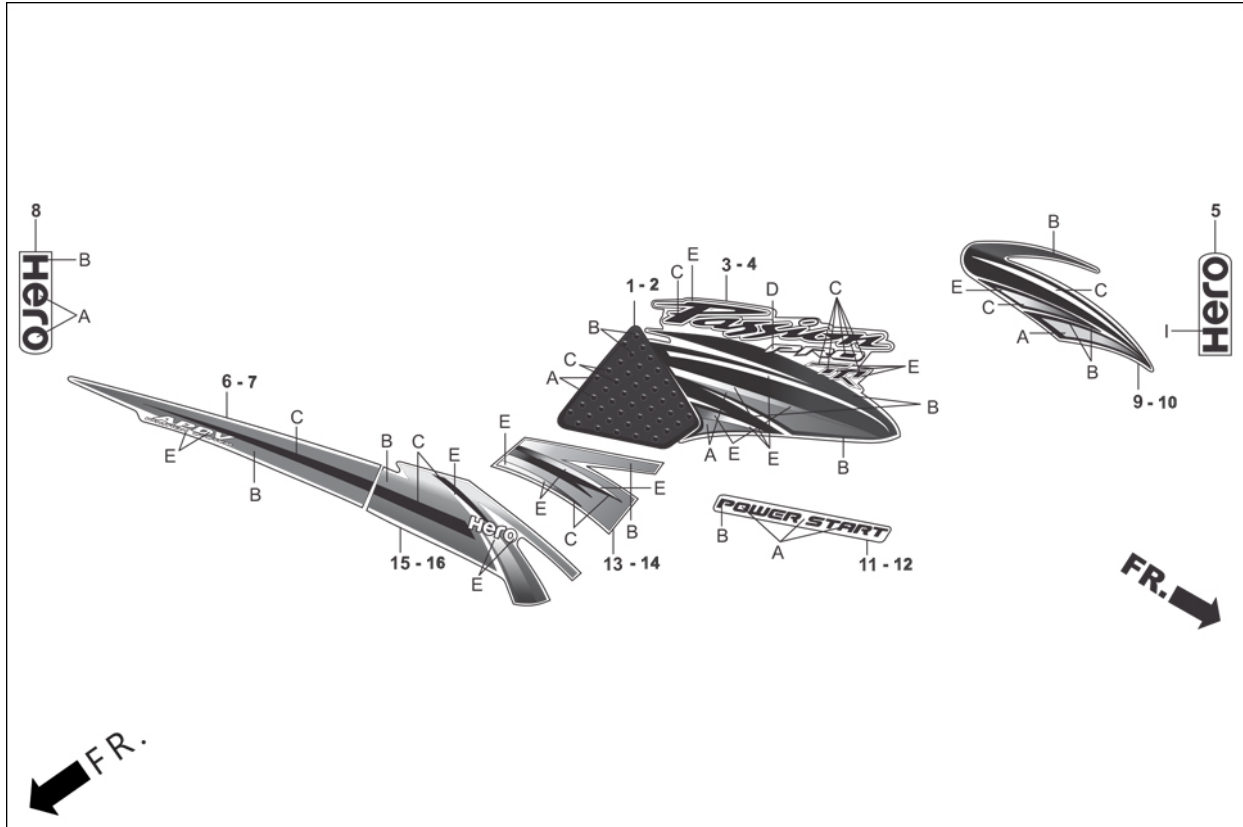
Group Number: F-27 **Model ::** Passion Pro TR (July, 2014)

Ref No.	Part Number	Description	Req.
13	87115-AAC-300R	STRIPE A R SIDE COVER(TYPE-1)	1
	87115-AAC-300S	STRIPE A R SIDE COVER(TYPE-2)	1

SPECIFIED COLOUR CHART FOR STRIPE RIGHT SIDE COVER

SPECIFIED COLOUR TYPE	B	C	E	MAIN BODY COLOUR
1	TECHNO BLUE ME. (BL-002M)	NH-1 BLACK	PEARL WHITE	TECHNO BLUE ME. (BL-002M)
2	SPORTS RED (R-321)	NH-1 BLACK	PEARL WHITE	SPORTS RED (R-321)
2	SPORTS RED (R-321)	NH-1 BLACK	PEARL WHITE	BLACK (NH-1) TYPE-1

F-27 : STRIPES / MARKS / EMBLEM



F-27 : STRIPES / MARKS / EMBLEM

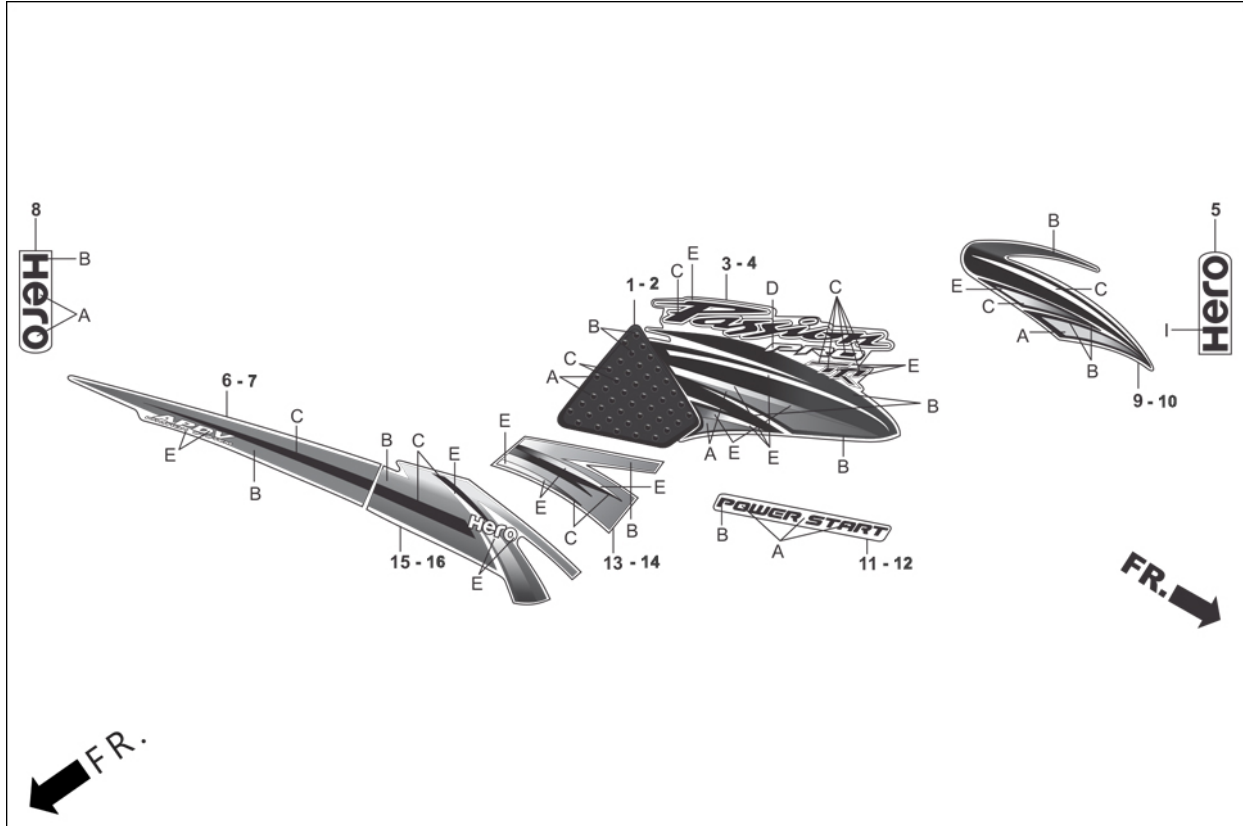
Group Number: F-27 **Model ::** Passion Pro TR (July, 2014)

Ref No.	Part Number	Description	Req.
14	87116-AAC-300R	STRIPE A L SIDE COVER(TYPE-1)	1
	87116-AAC-300S	STRIPE A L SIDE COVER(TYPE-2)	1

SPECIFIED COLOUR CHART FOR STRIPE LEFT SIDE COVER

SPECIFIED COLOUR TYPE	B	C	E	MAIN BODY COLOUR
1	TECHNO BLUE ME. (BL-002M)	NH-1 BLACK	PEARL WHITE	TECHNO BLUE ME. (BL-002M)
2	SPORTS RED (R-321)	NH-1 BLACK	PEARL WHITE	SPORTS RED (R-321)
2	SPORTS RED (R-321)	NH-1 BLACK	PEARL WHITE	BLACK (NH-1) TYPE-1

F-27 : STRIPES / MARKS / EMBLEM



F-27 : STRIPES / MARKS / EMBLEM

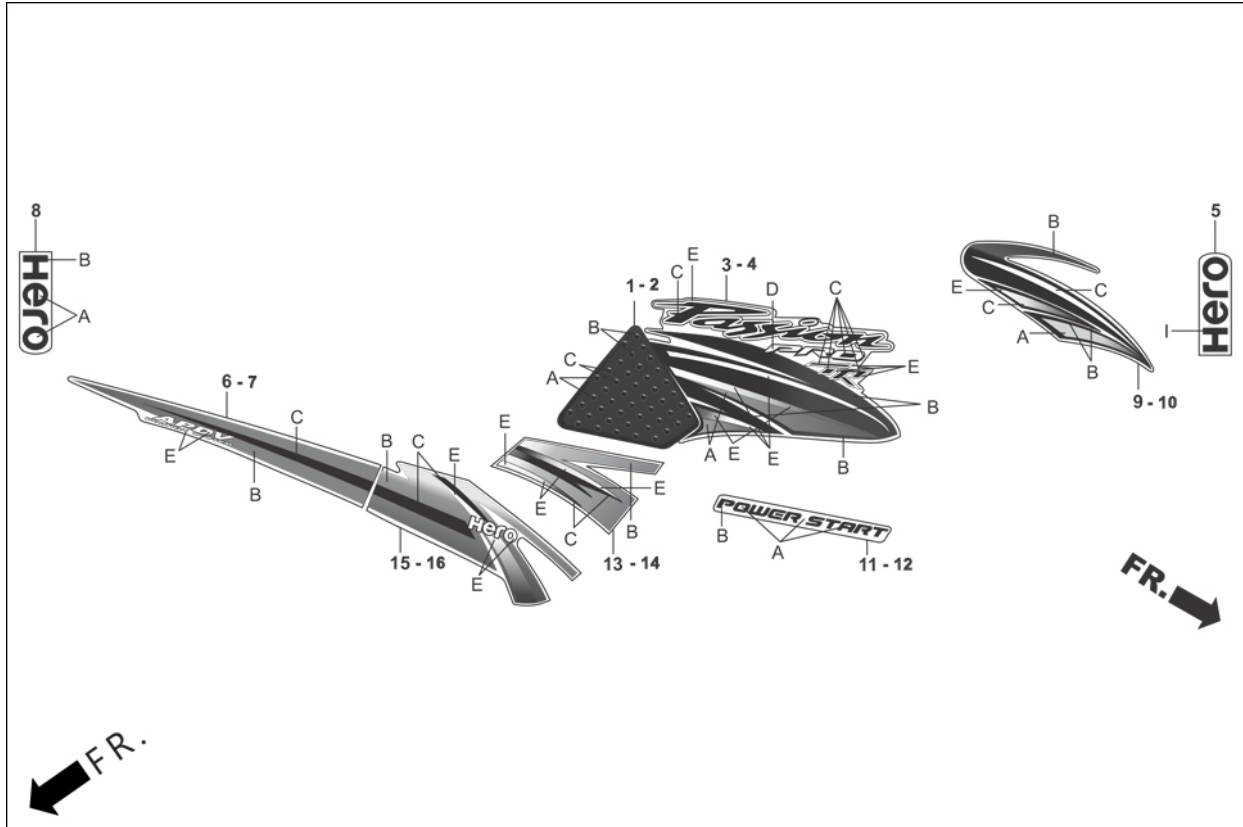
Group Number: F-27 **Model ::** Passion Pro TR (July, 2014)

Ref No.	Part Number	Description	Req.
15	87117-AAC-300R	STRIPE B R SIDE COVER(TYPE-1)	1
	87117-AAC-300S	STRIPE B R SIDE COVER(TYPE-2)	1

SPECIFIED COLOUR CHART FOR STRIPE RIGHT SIDE COVER

SPECIFIED COLOUR TYPE	B	C	E	MAIN BODY COLOUR
1	TECHNO BLUE ME. (BL-002M)	NH-1 BLACK	PEARL WHITE	TECHNO BLUE ME. (BL-002M)
2	SPORTS RED (R-321)	NH-1 BLACK	PEARL WHITE	SPORTS RED (R-321)
2	SPORTS RED (R-321)	NH-1 BLACK	PEARL WHITE	BLACK (NH-1) TYPE-1

F-27 : STRIPES / MARKS / EMBLEM



F-27 : STRIPES / MARKS / EMBLEM

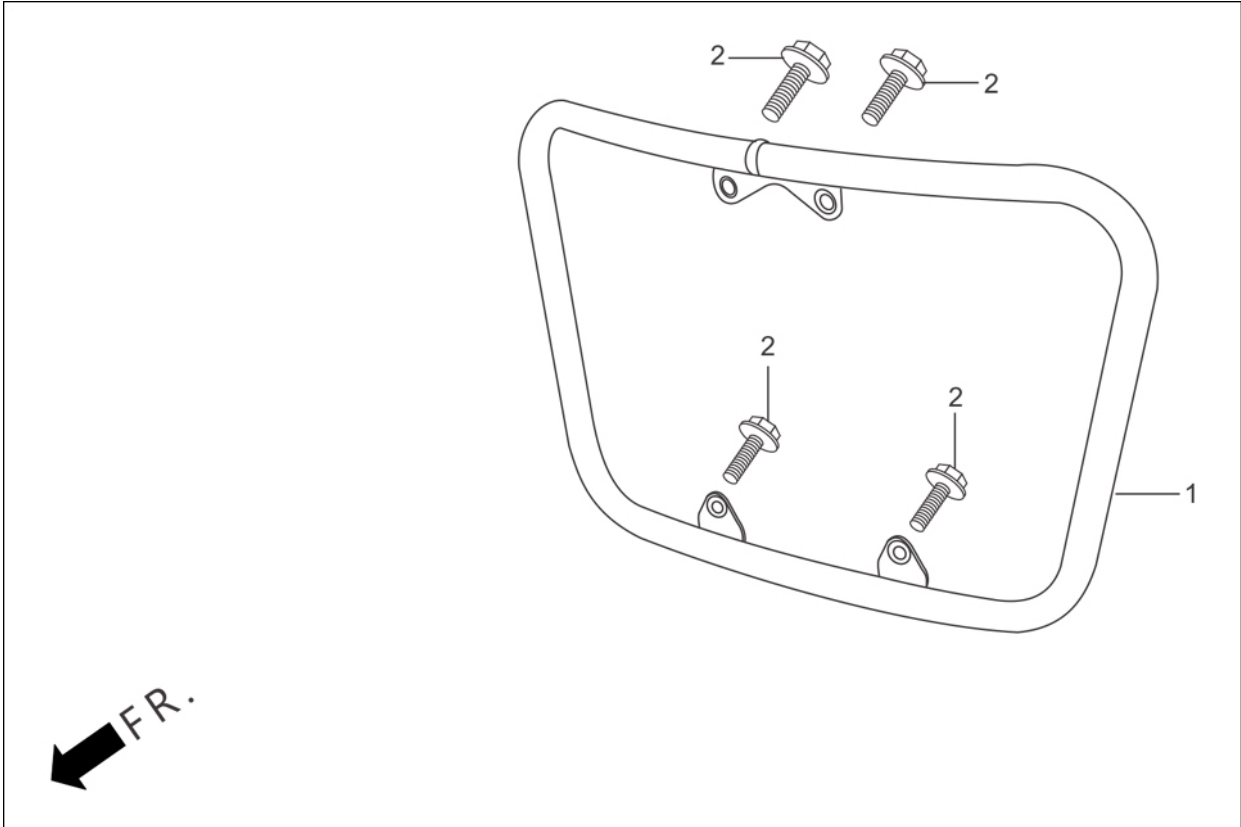
Group Number: F-27 **Model ::** Passion Pro TR (July, 2014)

Ref No.	Part Number	Description	Req.
16	87118-AAC-300R	STRIPE A L SIDE COVER(TYPE-1)	1
	87118-AAC-300S	STRIPE A L SIDE COVER(TYPE-2)	1

SPECIFIED COLOUR CHART FOR STRIPE LEFT SIDE COVER

SPECIFIED COLOUR TYPE	B	C	E	MAIN BODY COLOUR
1	TECHNO BLUE ME. (BL-002M)	NH-1 BLACK	PEARL WHITE	TECHNO BLUE ME. (BL-002M)
2	SPORTS RED (R-321)	NH-1 BLACK	PEARL WHITE	SPORTS RED (R-321)
2	SPORTS RED (R-321)	NH-1 BLACK	PEARL WHITE	BLACK (NH-1) TYPE-1

F-28 : GUARD ENGINE

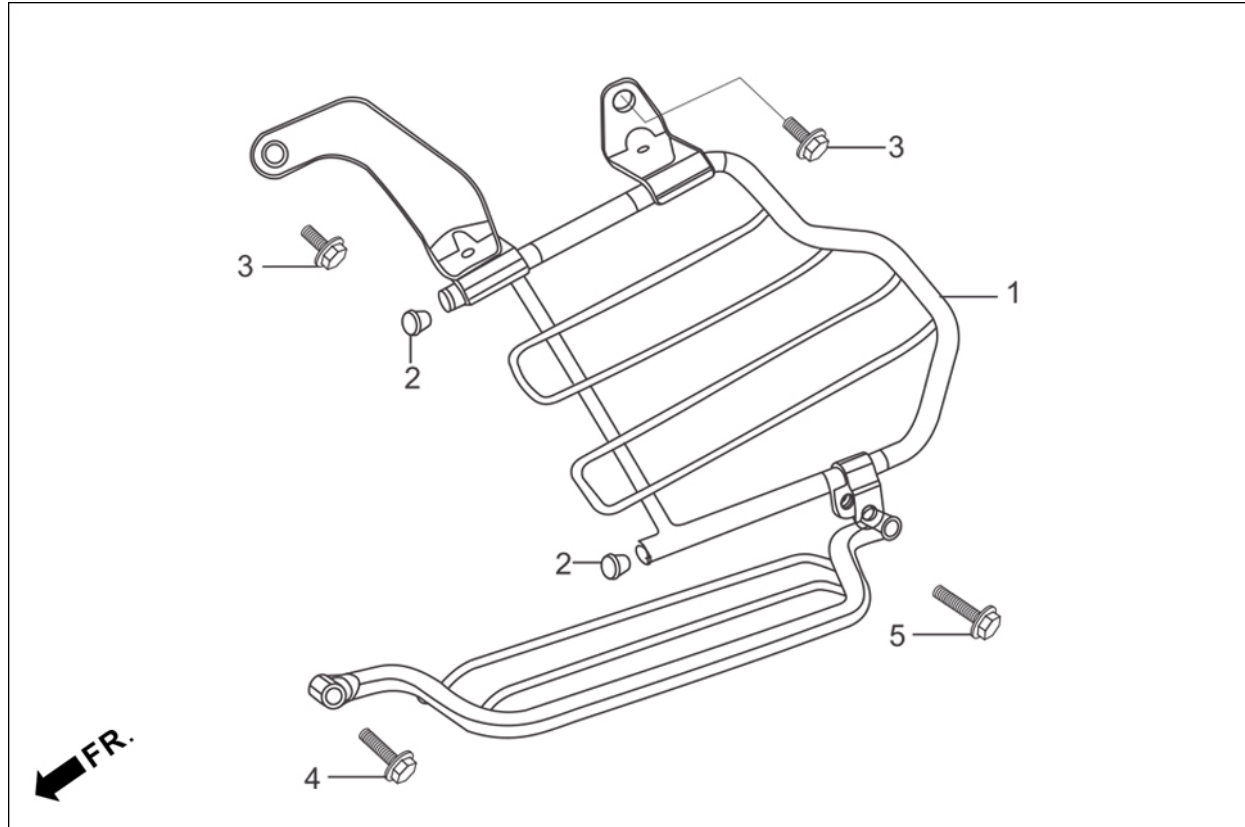


F-28 : GUARD ENGINE

Group Number: F-28 **Model ::** Passion Pro TR (July, 2014)

Ref No.	Part Number	Description	Req.
1	50803-KWA-940	GUARD, ENGINE	1
2	95701-08016-00	BOLT, FLANGE, 8X16	4
	95701-08016-00	BOLT, FLANGE, 8X16	4

F-29 : GUARD SARI

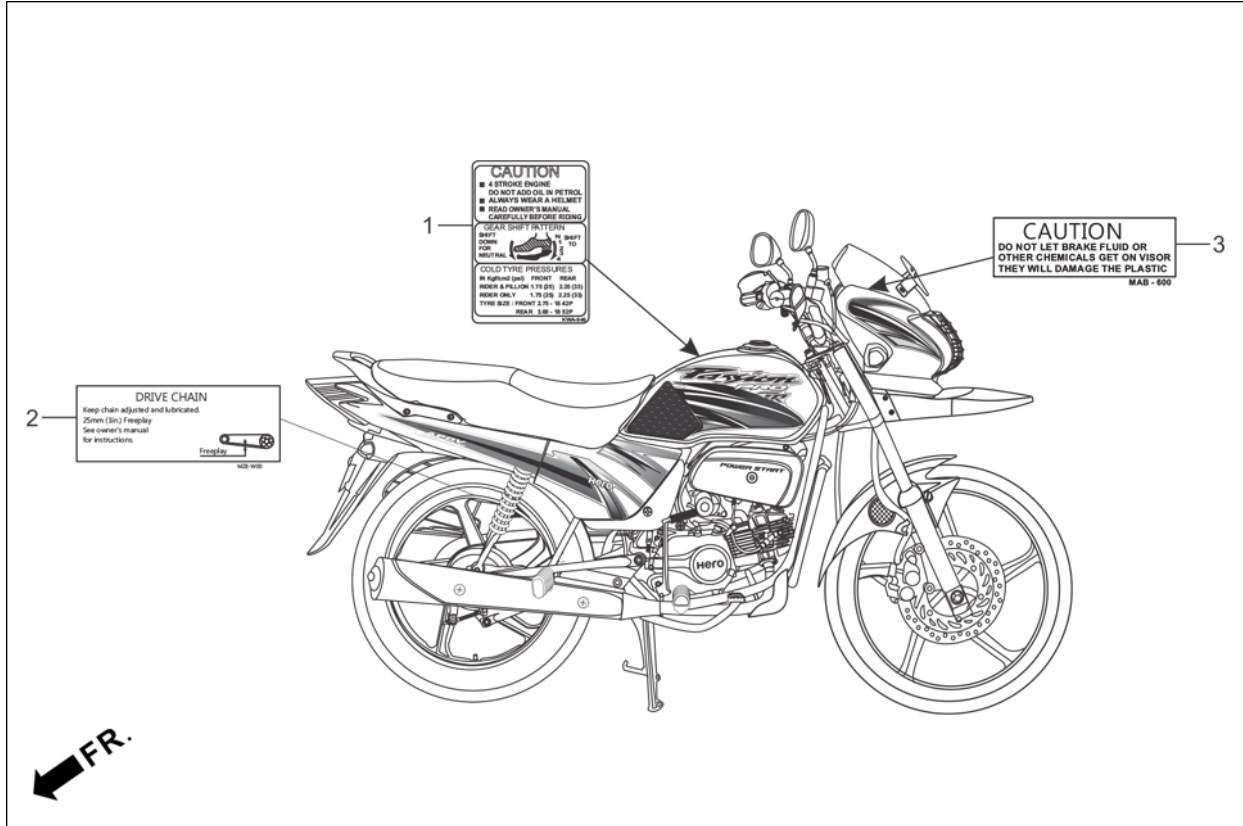


F-29 : GUARD SARI

Group Number: F-29 **Model ::** Passion Pro TR (July, 2014)

Ref No.	Part Number	Description	Req.
1	51103-AAC-000	GUARD SARI	1
2	51106-KCC-900	CAP, GUARD SARI	2
3	95701-08016-00	BOLT, FLANGE, 8X16	1
	95701-08016-00	BOLT, FLANGE, 8X16	1
4	95701-08035-00	BOLT, FLANGE, 8 X 35	1
	95701-08035-00	BOLT, FLANGE, 8 X 35	1
5	95701-10045-07	BOLT FLANGE, 10 X 45	1
	95701-10045-07	BOLT FLANGE, 10 X 45	1

F-30 : MARK CAUTION



F-30 : MARK CAUTION

Group Number: F-30 **Model ::** Passion Pro TR (July, 2014)

Ref No.	Part Number	Description	Req.
1	87501-AAC-300	MARK CAUTION	1
2	87507-MZ8-W00	LABEL, CHAIN DRIVE	1
3	87522-MAB-600	LABEL, VISOR CAUTION	1

PARTS INDEX

PART NO	BLOCK	PART NO	BLOCK
2830A-KWA-941	F-17	14610-086-000R	E-4
3310B-AAC-H00	F-1	14615-035-010	E-4
3340A-KWA-931	F-22	14670-035-030L	E-4
3345A-KWA-931	F-22	14675-178-000	E-4
3360A-KWA-831	F-22	14711-GN5-90099	E-3
3365A-KWA-831	F-22	14721-AAE-H10	E-3
3370B-AAC-H00	F-23	14751-GBG-900	E-3
06451-KCC-841	F-8	14761-GBG-900	E-3
06451-KCC-841	F-8	14771-GB4-680	E-3
06455-AAN-211	F-8	14775-MA6-000	E-3
11100-KWA-900	E-8	14775-MA6-000	E-3
11191-AAH-00099	E-8	14781-MA6-000	E-3
11200-KWA-941	E-8	14781-MA6-000	E-3
11321-KWA-940	E-7B-SELF	15100-KCC-900	E-8
11330-AAC-H00	E-5	15119-178-000	E-8
11341-AAC-010	E-7A-SELF	15384-178-000	E-8
11360-KWA-930	E-7A-SELF	15421-035-010	E-8
11394-AAH-00099	E-5	15421-035-010	E-8
11395-AAH-000	E-7A-SELF	15431-198-000	E-6
12101-KST-940	E-2	15439-AAH-00099	E-6
12191-AAH-F0099	E-2	15441-198-000	E-6
12200-AAF-010	E-2	15650-AAC-H00	E-5
12209-GB4-685	E-3	15661-198-000	E-6
12209-GB4-685	E-3	16010-KWA-931	E-13
12237-GB4-305	E-2	16012-AAF-000	E-13
12245-GB4-305	E-2	16013-KRB-901	E-13
12251-KST-94099	E-2	16014-KTR-A01	E-13
12301-KWA-900	E-1	16015-KVW-921	E-13
12331-KWA-900	E-1	16016-KPH-651	E-13

12341-KWA-900	E-1	16022-KWA-931	E-13
12361-035-000	E-1	16028-KST-941	E-13
12361-035-000	E-1	16037-KPH-901	E-13
12391-AAH-00099	E-1	16060-KWA-933	E-13
12394-AAH-00099	E-1	16075-KTC-901	E-13
12395-AAH-00099	E-1	16076-KPL-901	E-13
13000-AAF-000	E-9	16100-AAC-401	E-13
13011-AAF-00099	E-9	16118-KTR-A01	E-13
13012-AAF-00099	E-9	16148-KPL-901	E-13
13013-AAF-00099	E-9	16155-KRS-861	E-13
13014-AAF-00099	E-9	16163-GFP-901	E-13
13015-AAF-00099	E-9	16165-KWA-931	E-13
13101-AAF-00099	E-9	16173-001-000	F-13
13102-AAF-00099	E-9	16199-KWA-931	E-13
13103-AAF-00099	E-9	16201-KWB-920	E-1
13104-AAF-00099	E-9	16211-459-750	E-1
13105-AAF-00099	E-9	16236-045-010	E-8
13111-087-000	E-9	16950-AAE-H0099	F-13
13111-087-000	E-9	16952-KCC-900	F-13
13115-001-000	E-9	16952-KCC-900	F-13
13115-001-000	E-9	16958-397-770	F-13
13201-GF6-300	E-9	16967-MA2-770	F-13
13381-KCC-900L	E-9	17110-KCC-870	E-1
14100-AAH-H41	E-3	17210-KWA-840	F-15
14311-035-000	E-9	17212-KTC-900	F-15
14321-AAD-200	E-4	17213-AAC-A0099	F-15
14401-AAD-00099	E-4	17214-KWA-840	F-15
14430-KST-940	E-3	17214-KWA-840	F-15
14451-KST-940	E-3	17214-KWA-840	F-24
14500-035-020	E-4	17214-KWA-840	F-24

14502-086-000R	E-4	17218-KTC-900	F-15
14531-035-000	E-4	17219-KTC-900	F-15
14541-GB4-681	E-4	17219-KTC-900	F-15
14550-GB0-910R	E-4	17220-KWA-940	F-15
14566-086-030	E-4	17224-KWA-830	F-15

PART NO	BLOCK	PART NO	BLOCK
17234-KCC-940	F-15	23216-GF6-000	E-6
17234-KCC-940	F-15	23217-GF6-000L	E-6
17251-KWA-940	F-15	23221-GF6-000	E-10
17253-KTC-900	F-15	23421-GB4-770	E-10
17316-611-000	F-25A	23422-GB4-770	E-10
17316-611-000	F-25A	23431-GN5-910	E-10
17369-198-770	F-25	23441-GB4-770	E-10
17371-KWA-940	E-8	23451-GK4-761	E-10
17500-AAC-300R	F-13	23461-GK4-760	E-10
17500-AAC-300S	F-13	23471-GN5-910	E-10
17500-AAC-300T	F-13	23481-HF7-000	E-10
17504-AAC-300	F-27	23801-178-000	E-10
17505-AAC-300	F-27	23802-040-000	E-10
17506-KCC-730	F-13	24211-GF6-000R	E-12
17507-AAC-300R	F-27	24261-121-742	E-12
17507-AAC-300S	F-27	24263-028-000	E-12
17507-AAC-300T	F-27	24301-KWA-930	E-12
17508-AAC-300R	F-27	24411-198-900	E-12
17508-AAC-300S	F-27	24421-200-000	E-12
17508-AAC-300T	F-27	24425-198-900	E-12
17509-398-960	F-12	24430-KST-900	E-12
17509-398-960	F-12	24435-GB4-770	E-12
17509-398-960	F-21	24610-KST-940	E-12
17509-398-960	F-21	24639-035-000L	E-12
17611-KCC-900	F-13	24641-041-000	E-12
17613-KCC-900	F-13	24651-035-000L	E-12
17613-KCC-900	F-13	24652-035-000	E-12
17620-KWA-930H	F-13	24701-KWA-940	F-17
17622-GB7-900	F-25A	28101-KWA-940	E-7B-SELF

17622-GB7-900	F-25A	28102-KWA-940	E-7B-SELF
17681-KWA-940	F-13	28103-GB4-700	E-7B-SELF
17910-KWA-940	F-3	28110-AAD-H40	E-7B-SELF
18291-KTC-900	F-16	28117-KFL-850	E-7B-SELF
18293-KPK-900	F-16	28120-KWA-942	E-7B-SELF
18293-KPK-900	F-16	28211-AAF-000	E-11
18345-MBT-610	F-16	28221-198-010	E-11
18345-MBT-610	F-16	28251-GF6-000	E-11
18350-AAC-500	F-16	28253-397-000	E-11
18355-KWA-830	F-16	28254-198-000	E-11
18600-KWA-940	F-25A	28256-198-000	E-11
18640-KCC-940	F-25A	28261-198-000	E-11
18645-MT4-730	F-25A	28262-198-000	E-11
18645-MT4-730	F-25A	28293-KAG-900	F-17
18651-KWA-940	F-25A	28302-KWA-940	F-17
18652-KWA-940	F-25A	28321-427-770	F-17
18655-KWA-940	E-1	28333-124-000	F-17
19509-198-770	F-25A	30401-KTE-910	F-24
22110-AAH-H40	E-6	30401-KTE-910	F-24
22121-198-900	E-6	30410-AAF-001	F-24
22201-GF6-000	E-6	30500-AAF-H00	F-24
22311-107-000	E-6	30700-KWA-831	F-24
22350-115-020	E-6	30700-KWA-831	F-24
22361-KST-940	E-6	31100-AAC-211	E-7A-SELF
22401-GF6-000	E-6	31110-AAC-211	E-7A-SELF
22810-198-000	E-5	31120-AAC-201	E-7A-SELF
22815-166-000	E-5	31201-KG8-004	E-7C-SELF
22815-166-000	E-5	31202-GB2-700L	E-7C-SELF
22847-KCC-900	E-6	31204-KG8-004	E-7C-SELF
22847-KCC-900	E-6	31205-KWA-941	E-7C-SELF

22870-KWA-940	F-3	31208-KWA-941	E-7C-SELF
22871-116-670	F-3	31210-KWA-94099	E-7C-SELF
23112-AAJ-H10	E-6	31210-KWA-94099	E-7C-SELF
23121-KST-901	E-6	31211-KWA-941	E-1
23211-GF6-000	E-10	31211-KWA-941	E-7C-SELF

PART NO	BLOCK	PART NO	BLOCK
31213-KWA-941	E-7C-SELF	35701-KWA-931	E-13
31500-KVT-801	F-24	35750-001-000	E-12
31500-KVT-801	F-24	35753-035-010	E-12
31600-KWA-831	F-24	35755-001-000	E-12
31700-124-000	F-24	37100-AAC-301	F-2
31700-124-000	F-24	37100-AAC-H00020	F-2
32100-AAC-010	F-24	37105-KRJ-901	F-2
32102-KCC-840	F-3A	37202-KWA-831	F-2
32108-GW6-700	F-24	37210-AAC-301	F-2
32161-404-000	F-3	37211-AAC-H71	F-2
32410-KVH-871	E-7C-SELF	37212-AAC-021	F-2
32712-ZA0-000	F-25	37214-KV7-671	F-2
32961-KST-940	E-7A-SELF	37214-KV7-671	F-2
32981-GB4-780	E-7A-SELF	37243-323-000	F-17
33104-AAC-300	F-1	37243-323-000	F-17
33120-AAC-H01	F-1	37700-KWA-830	F-2
33126-KCC-730	F-1	37800-KWA-930	F-13
33128-GBL-000	F-1	38301-KWA-831	F-24
33130-KWA-831	F-1	38306-GE7-000	F-24
33301-KVE-900	F-1	38306-GE7-000	F-24
33301-KVE-900	F-1	38501-KTP-890	F-24
33401-KCC-730	F-22	38502-KSP-910	F-24
33402-KCC-690Z	F-22	38502-KSP-910	F-24
33405-KCC-730A	F-22	38506-KSP-910	F-24
33407-KCC-900	F-22	38506-KSP-910	F-24
33408-KCC-730	F-22	38506-KWA-840	F-24
33451-KCC-730	F-22	40510-KWA-940	F-19
33455-KCC-730A	F-22	40520-KWA-940	F-19
33491-KAF-000	F-22	40530-KST-940	F-19

33601-KWA-831	F-22	40531-KTE-910	F-19
33603-KWA-831	F-22	40543-198-900	F-10
33615-KWA-831	F-22	40544-198-900	F-11
33619-459-840A	F-16	40545-001-000	F-19
33619-459-840A	F-16	40545-001-000	F-19
33653-KWA-831	F-22	41201-KVH-760	F-11
33665-KWA-831	F-22	41241-KTC-900	F-11
33702-AAC-H00	F-23	42301-ABA-000	F-11
33704-AAC-H00	F-23	42303-KCC-600	F-11
33705-KWA-830	F-23	42304-198-900	F-11
33706-KWA-830	F-23	42313-KCC-600	F-10
33741-KAK-971	F-6	42601-AAC-H02	F-11
33741-KTC-900	F-21	42611-KWA-940	F-11
34901-KSP-910	F-1	42615-KCC-600	F-11
34901-KSP-910	F-1	42620-KTR-700	F-11
34906-GK8-700	F-23	42620-KTR-700	F-11
34930-AAC-700	F-22	42711-AAC-300	F-11
34930-AAC-700	F-22	42711-AAC-300	F-11
35010-AAC-H00	F-2	42712-P11-000	F-9
35100-AAC-H01	F-2	42712-P11-000	F-9
35121-AAC-H30	F-2	42712-P11-000	F-11
35122-AAC-H30	F-2	42712-P11-000	F-11
35130-AAD-00099	F-18	43100-KTR-700	F-10
35140-AAD-00099	F-18	43100-KTR-700	F-10
35150-KWA-841	F-3	43141-KTC-900	F-10
35152-KWA-841	F-3	43141-KTC-900	F-10
35200-KWA-841	F-3	43216-MAK-003	F-8
35330-413-003	F-3	43410-KCT-690	F-10
35330-413-003	F-3	43410-KCT-690	F-10
35340-KCC-841	F-3	43431-198-900	F-19

35340-KCC-841	F-3	43434-286-000	F-10
35340-KCC-841	F-3A	43434-286-000	F-10
35340-KCC-841	F-3A	43451-KCC-600	F-18
35350-KWA-940	F-18	44301-KTR-700	F-9
35357-KWA-830	F-18	44301-KTR-700	F-9

PART NO	BLOCK	PART NO	BLOCK
44311-KRC-900	F-9	46515-KB9-000	F-18
44311-KRC-900	F-9	46515-KB9-000	F-18
44601-AAC-H30	F-9	50100-AAC-510	F-25
44620-400-000	F-9	50160-KCC-900	F-17
44620-400-000	F-9	50186-KWA-830	F-21
44680-410-000	F-9	50211-KCC-900	F-25
44680-410-000	F-9	50250-KWA-830	F-25
44711-AAC-300	F-9	50301-KTR-900	F-5
44711-AAC-300	F-9	50301-KTR-900	F-5
44800-KVE-901	F-9	50500-KCC-870	F-18
44800-KVE-901	F-9	50505-KCC-900	F-16
44804-KVE-901	F-9	50505-KCC-900	F-16
44805-KVE-901	F-9	50512-KTC-900	F-18
44809-170-000	F-9	50512-KTC-900	F-18
44809-170-000	F-9	50524-001-000	F-12
44810-KTC-900	F-9	50524-001-000	F-12
44810-KTC-900	F-9	50530-KCC-900	F-17
44830-KWA-830	F-2	50603-KB4-000	F-17
44830-KWA-830A	F-2	50614-413-000	F-17
45107-KCC-841	F-8	50614-413-000	F-17
45108-KCC-841	F-8	50618-KCC-000	F-17
45125-AAH-F0099	F-10	50619-425-010	F-17
45126-KCC-840	F-3A	50619-KCC-000	F-17
45126-KCC-840	F-3A	50661-425-670	F-17
45132-KCC-841	F-8	50661-425-670	F-17
45133-KCC-841	F-8	50701-KWA-830	F-17
45133-KCC-900	F-10	50702-KST-940	F-17
45133-KCC-900	F-10	50710-461-770	F-17
45134-250-000	F-10	50710-461-770	F-17

45134-250-000	F-10	50712-438-730	F-17
45145-KFM-900	F-10	50712-438-730	F-17
45145-KFM-900	F-10	50713-438-730	F-17
45155-KCC-840	F-3A	50713-438-730	F-17
45156-KCC-840	F-3A	50715-KCC-900	F-17
45156-KCC-840	F-3A	50715-KCC-900	F-17
45220-KCC-841	F-8	50718-KCC-900	F-17
45250-KCC-841	F-8	50718-KCC-900	F-17
45250-KCC-841	F-8	50803-KWA-940	F-28
45251-KVE-901	F-9	51103-AAC-000	F-29
45290-KCC-841	F-8	51106-KCC-900	F-29
45290-KCC-841	F-8	51400-KWA-971	F-7
45352-KCC-841	F-8	51401-KST-941	F-7
45353-KCC-841	F-8	51403-447-730	F-7
45451-KCC-900	F-6	51403-KCC-900	F-7
45504-KCC-841	F-3A	51410-KWA-941	F-7
45506-KCC-841	F-3A	51412-KAG-900	F-7
45510-KVN-901	F-3A	51412-KWA-941	F-7
45510-KVN-901	F-3A	51420-KWA-971	F-7
45513-KCC-841	F-3A	51425-KST-901	F-7
45515-KVN-901	F-3A	51425-KST-901	F-7
45516-KCC-841	F-3A	51432-KST-901	F-7
45517-KCC-841	F-3A	51437-KVN-901	F-7
45517-KCC-841	F-3A	51440-KTR-901	F-7
45518-KCC-841	F-3A	51500-KWA-971	F-7
45519-KCC-841	F-3A	51520-KWA-971	F-7
45520-KCC-841	F-3A	52101-KST-940	F-19
45521-KCC-841	F-3A	52110-AAC-400	F-19
45522-KCC-841	F-3A	52147-KTC-900	F-19
45525-KCC-841	F-3A	52147-KTC-900	F-19

45526-KCC-841	F-3A	52170-AAJ-H40	F-19
45530-KCC-841	F-3A	52400-KWA-90099	F-20
46500-KWA-830	F-18	52410-KCC-871	F-20
46514-KCC-900	F-18	52486-KAG-900	F-20
46514-KCC-900	F-18	52486-KTN-701	F-20

PART NO	BLOCK	PART NO	BLOCK
52489-399-600	F-20	75581-673-000	F-25
52495-098-000	F-20	75581-673-000	F-25
53100-AAC-300	F-4	77110-AAC-H00	F-12
53131-AAC-H00	F-4	77156-KCC-870	F-12
53132-124-000	F-4	77200-KWA-830	F-12
53132-124-000	F-4	77202-KCC-900	F-12
53133-198-900	F-4	77202-KCC-900	F-12
53133-198-900	F-4	77202-KCC-900	F-21
53134-028-000	F-4	77202-KCC-900	F-21
53134-028-000	F-4	77204-KCC-900	F-12
53135-198-900	F-4	77204-KCC-900	F-12
53135-198-900	F-4	77206-KCC-900	F-12
53136-198-900	F-4	77206-KCC-900	F-12
53136-198-900	F-4	77211-KCC-900	F-12
53140-KWA-830	F-3	77220-KY6-000	F-12
53166-KWA-830	F-3	77220-KY6-000	F-12
53168-KWA-841	F-3	77230-KWA-830	F-12
53172-KTC-920	F-3	77232-KVE-900	F-12
53172-KTC-920	F-3	77236-KWA-830H	F-12
53175-KCC-840	F-3	77237-KWA-830	F-23
53175-KCC-840	F-3A	77240-AAC-300R	F-12
53178-AAF-H00	F-3	77240-AAC-300S	F-12
53178-AAF-H00	F-3	77248-AAC-300R	F-27
53179-AAC-300	F-3	77248-AAC-300S	F-27
53181-AAC-300	F-3	77250-AAC-300R	F-12
53182-AAC-300	F-3	77250-AAC-300S	F-12
53184-AAC-300	F-3	77258-AAC-300R	F-27
53200-AAD-000	F-5	77258-AAC-300S	F-27
53209-GAH-000	F-1	78135-AAC-021	F-2

53209-GAH-000	F-1	80101-443-000	F-1
53211-268-010	F-5	80101-443-000	F-1
53211-268-010	F-5	80102-AAC-H30	F-27
53212-200-000	F-5	80104-KCC-870H	F-21
53212-200-000	F-5	80120-AAC-H30	F-21
53214-200-000	F-5	80123-KCC-870	F-21
53214-200-000	F-5	81201-KWA-940ZA	F-12
53215-KTR-900	F-5	81202-KCC-730Z	F-12
53215-KTR-900	F-5	81203-KCC-730Z	F-12
53221-KTR-900	F-5	83400-AAC-300R	F-1
53221-KTR-900	F-5	83400-AAC-300S	F-1
53222-KTR-900	F-5	83400-AAC-300T	F-1
53222-KTR-900	F-5	83402-KWA-830	F-1
53230-KST-950	F-4	83405-KWA-830	F-1
61100-AAC-300	F-6	83406-AAC-300R	F-27
61102-AAC-300	F-6	83406-AAC-300S	F-27
61103-357-000	F-23	83407-KWA-830	F-1
61104-KM7-910	F-23	83407-KWA-830	F-1
61107-KK6-000	F-25	83407-KTR-940	F-15
61108-AAC-H40ZC	F-27	83407-KTR-940	F-15
61110-AAC-300	F-6	83408-AAC-300R	F-27
61302-KWA-830	F-1	83408-AAC-300S	F-27
61303-KWA-830	F-1	83500-AAC-300R	F-14
61306-KWA-940	F-1	83500-AAC-300S	F-14
61311-AAC-300	F-1	83510-KWA-830	F-25
61312-149-300	F-1	83511-KWA-840	F-27
61312-149-300	F-1	83512-KWA-830	F-25
61317-KCC-900	F-2	83514-KWA-840H	F-25
61317-KCC-900	F-23	83515-KWA-940H	F-25
64100-AAC-300	F-1	83516-KWA-840	F-27

64310-198-D20A	F-1	83518-KWA-840H	F-25
64310-198-D20A	F-1	83520-KTC-900	F-25
64311-AAC-300	F-25	83550-KWA-930	F-25
64316-KWA-940	F-1	83551-300-000	F-13
64350-AAC-300	F-25	83551-300-000	F-13

PART NO	BLOCK	PART NO	BLOCK
83600-AAC-300R	F-14	90111-187-000	F-21
83600-AAC-300S	F-14	90111-187-000	F-25
83601-MN5-000	F-14	90111-187-000	F-25
84701-KCC-860	F-21	90112-KCC-841	F-3A
84701-KCC-860	F-21	90114-AAC-300	F-3
84701-P26-D00A	F-21	90114-AAC-300	F-3A
87115-AAC-300R	F-27	90116-KAG-900	F-7
87115-AAC-300S	F-27	90116-KCC-900	F-25
87116-AAC-300R	F-27	90117-KCC-900	F-25
87116-AAC-300S	F-27	90118-383-000	F-19
87117-AAC-300R	F-27	90121-AAD-500	F-25
87117-AAC-300S	F-27	90122-KVT-941	F-24
87118-AAC-300R	F-27	90123-KRM-860	F-7
87118-AAC-300S	F-27	90123-KRM-860	F-7
87501-AAC-300	F-30	90123-KST-941	F-7
87507-MZ8-W00	F-30	90133-331-770	F-19
87522-MAB-600	F-30	90133-331-770	F-19
88110-AAC-H41ZA	F-3	90145-MS9-610	F-3A
88114-198-D10	F-3	90145-MS9-610	F-3A
88114-198-D10	F-3	90155-KY4-900	F-8
88115-KTR-900	F-3	90155-KY4-900	F-8
88115-KTR-900	F-3	90183-KTC-900	F-19
88120-AAC-H41ZA	F-3	90183-KTC-900	F-19
89102-AAC-000	F-26	90201-GF6-000R	E-1
89102-538-000	F-26	90201-MW3-620	F-3
89103-538-000	F-26	90201-MW3-620	F-3
89215-AAC-000	F-26	90206-001-000	E-3
89216-AAD-H00	F-26	90206-001-000	E-3
90003-KCC-840	F-3	90231-087-010	E-6

90003-KCC-840	F-3	90231-087-010	E-6
90012-333-000R	E-3	90231-198-000	E-6
90012-333-000R	E-3	90235-KCZ-000	F-2
90022-GFP-900	E-12	90302-KTE-911	F-10
90031-GF6-000R	E-8	90302-KTE-911	F-10
90032-GF6-000R	E-8	90302-KBP-900	F-11
90033-041-020	E-2	90302-KBP-900	F-11
90050-KFL-850	E-6	90303-KCC-841	F-3A
90071-171-010	E-12	90303-KCC-841	F-3A
90081-GFP-900	E-2	90304-AAH-000	F-4
90081-035-000	E-4	90304-AAH-000	F-4
90083-KVH-900	E-4	90304-KST-942	F-4
90083-KVH-900	E-7A-SELF	90304-KST-942	F-4
90084-KWA-930	E-7A-SELF	90304-438-000	F-16
90084-KWA-930	E-7A-SELF	90304-KST-942	F-17
90085-KWA-940	E-7B-SELF	90304-KST-942	F-17
90087-KWA-930	E-7A-SELF	90306-KTE-911	F-9
90101-GJ6-000	F-1	90306-KTE-911	F-9
90101-GJ6-000	F-1	90306-KST-942	F-10
90101-GE0-000	F-12	90306-KST-942	F-10
90101-GE0-000	F-14	90306-KST-942	F-11
90101-KWA-830	F-15	90306-KST-942	F-11
90101-KCC-940	F-25A	90306-KTE-911	F-19
90102-KVN-900	F-4	90306-KTE-911	F-19
90102-KVN-900	F-4	90306-KVT-941	F-24
90104-KCC-870	F-6	90307-GJ6-000	F-1
90105-MK5-010	F-9	90307-GJ6-000	F-1
90105-MK5-010	F-9	90307-001-000	F-11
90107-GZ4-670	F-12	90307-001-000	F-11
90107-KAN-900	F-16	90308-KWA-940	F-11

90107-KAN-900	F-16	90311-MT3-000	F-15
90111-KCC-841	F-3A	90320-GC3-000	F-1
90111-187-000	F-15	90320-GC3-000	F-12
90111-187-000	F-15	90320-GC3-000	F-14
90111-187-000	F-21	90320-GC3-000	F-21

PART NO	BLOCK	PART NO	BLOCK
90324-AAC-300	F-13	90703-HC4-000	E-8
90324-AAC-300	F-25	90741-KFB-000	E-9
90325-KCC-900	F-13	90741-KFB-000	E-9
90325-KCC-900	F-13	90753-029-000	F-11
90380-MB2-000	F-22	90753-029-000	F-11
90381-KWA-940	F-14	90801-035-000	E-12
90381-KWA-940	F-14	91001-GF6-000	F-9
90407-259-000	E-8	91001-GF6-000	F-9
90407-259-000	E-8	91101-AAF-000	E-9
90410-HC4-000	E-7A-SELF	91102-AAF-000	E-9
90432-086-000	E-6	91103-AAF-000	E-9
90432-086-000	E-6	91201-GBG-900	E-7B-SELF
90441-035-000	E-4	91202-302-010	E-5
90442-GF6-000	E-1	91203-GB5-760	E-10
90443-GF6-010	E-1	91204-GBG-850	E-7B-SELF
90451-GF6-000	E-10	91205-350-000	E-6
90451-198-000	E-10	91208-KB4-670	E-12
90452-GB4-770	E-10	91251-KPH-901	F-9
90452-GB4-770	E-10	91251-KPH-901	F-9
90452-115-000	E-11	91251-KPH-901	F-9
90454-107-000	E-11	91251-KPH-901	F-9
90454-107-000	E-11	91255-KWA-941	F-7
90461-357-000	E-1	91255-KWA-941	F-7
90461-357-000	E-4	91258-KEJ-900	F-9
90461-GF6-000	E-6	91258-KEJ-900	F-9
90461-GB4-770	E-10	91301-035-000	E-7B-SELF
90461-GB4-770	E-10	91302-KEV-900	E-1
90461-035-000	E-10	91303-719-000	E-5
90461-459-000	E-10	91303-719-000	E-5

90481-035-000	E-4	91303-377-000	E-7A-SELF
90501-AAC-300	F-3	91303-377-000	E-7A-SELF
90501-KCC-870	F-6	91303-GF6-000	E-8
90501-KCC-870	F-6	91304-GB1-900	E-1
90501-KC2-750	F-25A	91304-GB1-900	E-1
90502-AAC-300	F-3	91304-704-000	F-11
90502-198-900	F-18	91304-704-000	F-11
90502-198-900	F-18	91305-028-150	E-2
90503-KTR-900	F-4	91305-MC7-000	F-13
90503-KTR-900	F-4	91305-MC7-000	F-13
90504-KWA-940	F-1	91307-035-000	E-5
90505-425-000	F-10	91307-035-000	E-5
90505-425-000	F-10	91308-KWA-941	E-7C-SELF
90521-292-000	F-7	91309-KWA-941	E-7C-SELF
90521-292-000	F-7	91312-107-000	E-12
90544-439-930	F-7	91317-171-000	E-7B-SELF
90545-300-000	F-3A	91352-GAZ-930	F-2
90545-300-000	F-3A	91356-KGH-901	E-7A-SELF
90551-178-000	F-20	91356-KAG-900	F-7
90551-178-000	F-20	91455-MG8-000	F-4
90601-001-000	E-10	91455-MG8-000	F-4
90601-001-000	E-10	91509-GE2-760	F-1
90601-459-000	E-10	91509-KWA-830	F-1
90601-459-000	E-11	91509-GE2-760	F-25
90601-GF5-730	F-7	91540-S30-003	F-24
90601-GF5-730	F-7	92000-06008-0H	E-10
90651-KCC-841	F-3A	92000-06016-0A	F-17
90701-GF6-000	E-2	92000-06016-0A	F-17
90701-GF6-000	E-2	92000-06020-0H	F-17
90702-GB6-910	E-4	92000-06012-0A	F-19

90702-GB6-910	E-4	92000-06016-0A	F-21
90702-GB6-910	E-5	92000-06016-0A	F-21
90702-GB6-910	E-5	92000-05022-0H	F-23
90702-GB6-910	E-7A-SELF	92101-06032-0A	F-17
90702-GB6-910	E-7A-SELF	92800-12000-00	E-8

PART NO	BLOCK	PART NO	BLOCK
92800-12000-00	E-8	94101-AAC-300	F-3
92811-10000	F-10	94101-08000	F-5
92811-10000	F-10	94101-08000	F-5
93500-05010-1A	F-1	94101-05000	F-15
93500-05016-1G	F-1	94101-06000	F-17
93500-05020-0G	F-3	94101-06000	F-17
93500-05020-0G	F-3	94101-08000	F-17
93500-05022-1G	F-3	94101-08000	F-17
93500-05022-1G	F-3	94101-06000	F-19
93500-05010-1A	F-15	94101-06000	F-19
93500-05016-0A	F-15	94101-08000	F-19
93500-05016-0A	F-15	94101-08000	F-19
93600-05012-1H	E-6	94101-12000	F-20
93600-05012-1H	E-6	94101-12000	F-20
93600-06016-0A	E-7B-SELF	94101-06000	F-21
93700-04012-1G	F-22	94101-06000	F-21
93891-05014-18	F-24	94103-06700	F-2
93892-04006-08L	E-7C-SELF	94111-10000	F-19
93892-05030-08L	E-7C-SELF	94111-10000	F-19
93892-04010-10	E-13	94111-08000	F-25
93892-04014-18	E-13	94201-20150	F-10
93901-44220	F-1	94201-20150	F-10
93901-22310	F-22	94201-16150	F-17
93901-24580	F-23	94201-16150	F-17
93903-22480	F-2	94201-20150	F-18
93903-34380	F-12	94201-20150	F-18
93903-34380	F-12	94201-30250	F-18
93903-24310	F-15	94201-30250	F-18
93903-25280	F-15	94201-20150	F-19

93913-25210	F-21	94201-20150	F-19
94001-06070-0S	F-2	94510-12000L	E-7C-SELF
94001-06000-0S	F-3	94510-16000	E-11
94001-06000-0S	F-3	94510-16000	E-11
94001-06000-0S	F-10	95002-02100	E-8
94001-06000-0S	F-10	95002-80000	E-8
94001-08000-0S	F-10	95002-02089	E-13
94001-08000-0S	F-10	95002-02659	E-13
94001-06000-0S	F-11	95002-02080	F-13
94001-06000-0S	F-11	95002-02100	F-13
94001-08000-0S	F-19	95002-02130	F-15
94001-08000-0S	F-19	95002-02070	F-25A
94001-10000-0S	F-20	95005-35260-50	E-13
94002-08000-0S	F-15	95005-35170-20	F-25A
94021-10000-0S	F-20	95011-51000	F-17
94021-10000-0S	F-20	95014-72302	F-17
94021-06000-0S	F-25A	95014-72302	F-17
94030-10000	F-17	95014-71702	F-18
94030-10000	F-17	95014-71702	F-18
94030-08000	F-25	95014-73100	F-18
94030-08000	F-25	95014-73100	F-18
94050-10000	E-7A-SELF	95015-81000	F-17
94050-10000	E-7A-SELF	95015-32001	F-18
94050-06000	F-3	95015-32001	F-18
94050-06000	F-3	95015-42000	F-18
94050-06000	F-6	95015-42000	F-18
94050-06000	F-6	95015-53000	F-18
94050-06000	F-13	95015-53000	F-18
94050-06000	F-13	95018-46320	F-15
94050-08000	F-16	95701-06110-00	E-1

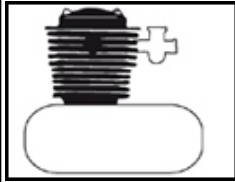
94050-08000	F-16	95701-06020-00	E-11
94050-10000	F-22	95701-06020-00	E-11
94050-10000	F-22	95701-08040-00	F-5
94101-04000	F-1	95701-08040-00	F-5
94101-05000	F-1	95701-06012-00	F-6

PART NO	BLOCK	PART NO	BLOCK
95701-06012-00	F-6	96100-60010-00	E-6
95701-06035-00	F-10	96100-60010-00	E-6
95701-06035-00	F-10	96100-60010-00	E-10
95701-06012-00	F-12	96100-60010-00	E-10
95701-06012-00	F-12	96100-62010-00	E-10
95701-06020-00	F-12	96100-62010-00	E-10
95701-06020-00	F-12	96100-62030-00	E-10
95701-08016-00	F-12	96100-62030-00	E-10
95701-08016-00	F-12	96120-60010-10L	E-7C-SELF
95701-08035-00	F-13	96140-63010-10	F-9
95701-08035-00	F-13	96140-63010-10	F-9
95701-06012-00	F-15	96140-63010-10	F-11
95701-06012-00	F-15	96140-63010-10	F-11
95701-08016-00	F-16	96150-63010-10	F-9
95701-08016-00	F-16	96150-63010-10	F-9
95701-08016-07	F-17	96150-62030-10	F-11
95701-08016-07	F-17	96150-62030-10	F-11
95701-06012-00	F-21	96211-08000	F-5
95701-06012-00	F-21	96211-08000	F-5
95701-06020-00	F-21	96211-08000	F-17
95701-06020-00	F-21	96211-08000	F-17
95701-06012-00	F-24	96220-30085	E-12
95701-06012-00	F-24	96220-30085	E-12
95701-06010-00	F-25	96700-08020-00	F-2
95701-06010-00	F-25	96700-08040-00	F-12
95701-06016-07	F-25	98200-31000	F-24
95701-08016-00	F-28	98200-31000	F-24
95701-08016-00	F-28	98200-31500	F-24
95701-08016-00	F-29	98200-31500	F-24

95701-08016-00	F-29	99007-45000	F-26
95701-08035-00	F-29	99101-KWA-1050	E-13
95701-08035-00	F-29	99103-KTC-0350	E-13
95701-10045-07	F-29		
95701-10045-07	F-29		
96001-06020-00	E-1		
96001-06022-00	E-1		
96001-06022-00	E-1		
96001-06025-00	E-1		
96001-06018-00	E-4		
96001-06018-00	E-4		
96001-06040-00	E-5		
96001-06040-00	E-5		
96001-06065-00	E-5		
96001-06080-00	E-5		
96001-06016-00	E-7A-SELF		
96001-06020-00	E-7A-SELF		
96001-06028-00	E-7A-SELF		
96001-06032-00	E-7A-SELF		
96001-06050-00	E-7A-SELF		
96001-06070-00	E-7A-SELF		
96001-06010-00	E-7B-SELF		
96001-06045-00	E-7C-SELF		
96001-06045-00	E-7C-SELF		
96001-06016-00	E-8		
96001-06025-00	E-8		
96001-06050-00	E-8		
96001-06060-00	E-8		
96001-06065-00	E-8		
96001-06012-00	E-12		

96001-06012-00	E-12	
96001-06010-00	F-1	
96001-06016-07	F-1	
96001-06020-00	F-24	
96001-06016-00	F-25A	

BLOCK INDEX - GROUP Engine - Passion Pro TR (July, 2014).



E-1

CYLINDER HEAD COVER / INLET PIPE

2



E-2

CYLINDER HEAD

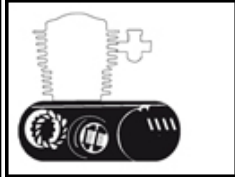
5



E-3

CAM SHAFT / VALVE

7



E-4

CAM CHAIN TENSIONER

9



E-5

RIGHT CRANK CASE COVER

12



E-6

CLUTCH

14



E-7A-SELF

LEFT CRANKCASE COVER / A.C. GEN. ASSY. (SELF START)

17



E-7B-SELF

STARTING CLUTCH

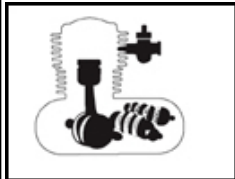
20



E-7C-SELF

STARTER MOTOR

22



E-8

CRANK CASE / OIL PUMP

24



E-9

CRANK SHAFT / PISTON

27



E-10

TRANSMISSION

30



E-11

KICK STARTER

33



E-12

GEAR SHIFT

35

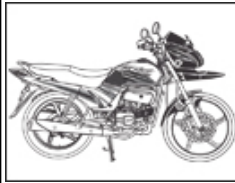


E-13

CARBURETTOR

38

BLOCK INDEX - GROUP Frame - Passion Pro TR (July, 2014).



F-1

HEAD LIGHT / FR.VISOR

41



F-2

SPEEDOMETER / CABLE / KEY SET

45



F-3

HANDEL LEVER / SWITCH / CONTROL CABLE

48



F-3A

FRONT BRAKE MASTER CYL

52



F-4

HANDLE PIPE / TOP BRIDGE

55



F-5

STEERING STEM/ HORN

58



F-6

FRONT FENDER

61



F-7

FRONT FORK

63



F-8

CALIPER ASSY. R FR

66



F-9

FRONT WHEEL

68



F-10

REAR BRAKE PANEL

71



F-11

REAR WHEEL

74



F-12

SEAT ASSY. / RR COWL / GRIP REAR

77



F-13

FUEL TANK

80



F-14

SIDE COVER

83



F-15

AIR CLEANER

85



F-16

MUFFLER

88



F-17

STEP ASSY./KICK STARTER

90



F-18

MAIN STAND / BRAKE PEDAL

94



F-19

REAR FORK / CHAIN CASE

97

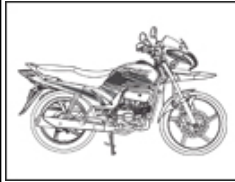


F-20

REAR CUSHION

100

BLOCK INDEX - GROUP Frame - Passion Pro TR (July, 2014).



F-21

REAR FENDER

102



F-22

WINKERS

105



F-23

TAIL LIGHT

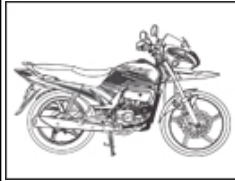
108



F-24

WIRE HARNESS / BATTERY

110



F-25

FRAME BODY/UTILITY BOX

113