

# Parts Catalog

## Commercial Vehicle

ape city 200

**PLATES INDEX**

<b>Sr No.</b>	<b>Plate Name</b>	<b>Plate No.</b>	<b>Page No.</b>
1	Eng.200 4S/3V BIII Air Ape Pax India	1	1-2
2	Clutch Cover Assembly	2	3-4
3	Clutch Group	3	5-6
4	Oil Pump Assembly	4	7-8
5	Complete Differential Gear	5	9-10
6	Differential Gear Cover With P.I.	6	11-12
7	Intake Fitting - Carburetor	7	13-14
8	AIR FILTER ASSEMBLY	7.1	15-16
9	Carburetor	8	17-18
10	Complete Crankcase	9	19-20
11	GEAR SHIFTER AND CONTROL MECHANISM	9.1	21-22
12	Cylinder Head With I.P.	10	23-24
13	Crankshaft Assembly	11	25-26
14	Aircooling Circuit Components	12	27-28
15	Timing Group	13	29-30
16	Cylinder- Piston Group	14	31-32
17	Electric Starting Group	15	33-34
18	Gear Group	16	35-36
19	Differential Gear Group	17	37-38
20	Engine Support	18	39-40
21	Fuel Tank/Filter/Fuel Pipes	19	41-42
22	Wind Shield/Glass/Beading	20	43-44
23	Main Frame/Driver Seat/Battery Bkt//Nose/Fr. Mud/Mud Flap	21	45-46
24	Inner Parts Of Cabin	22	47-48
25	Rear Suspension	23	49-52
26	Steering Column And Front Suspension	24	53-56
27	Handle Bar And Control	25	57-58
28	Brake - Tandem Master Cylinder ,Brake Pipe And Hand Brakes	26	59-62
29	Electrical Devices	27	63-66
30	Electrical Devices	28	67-68

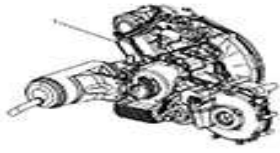
**PLATES INDEX**

<b>Sr No.</b>	<b>Plate Name</b>	<b>Plate No.</b>	<b>Page No.</b>
31	Passanger Auto Rikshaw Body-I	29	69-70
32	Passanger Auto Rikshaw Body-II	29.1	71-72
33	Wiring Harness	30	73-74
34	Front Brake Assembly	31	75-76
35	Rear Brake Assembly	32	77-78
36	Cables	33	79-80
37	CNG Kit	34	81-82
38	Two Stage CNG Regulator	35	83-84
39	First Stage Reduction Unit	36	85-86
40	LPG Kit	37	87-88
41	Two Stage LPG Regulator	38	89-90
42	TOOLS & ACCESSORIES	39	91-94

# PICTORIAL PLATES INDEX

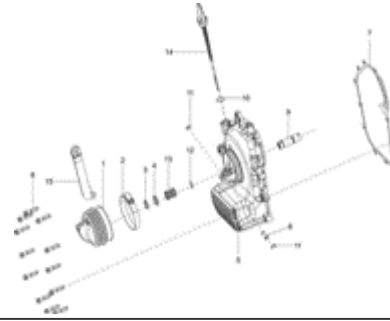
**PLATE-1** Eng.200 4S/3V BIII Air Ape Pax India

**Page No. :1-2**



**PLATE-2** Clutch Cover Assembly

**Page No. :3-4**



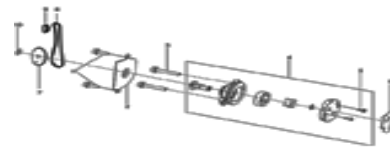
**PLATE-3** Clutch Group

**Page No. :5-6**



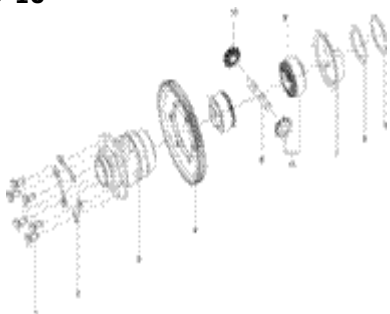
**PLATE-4** Oil Pump Assembly

**Page No. :7-8**



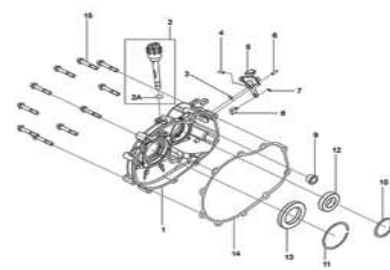
**PLATE-5** Complete Differential Gear

**Page No. :9-10**



**PLATE-6** Differential Gear Cover With P.I.

**Page No. :11-12**



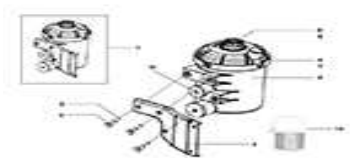
**PLATE-7** Intake Fitting - Carburetor

**Page No. :13-14**



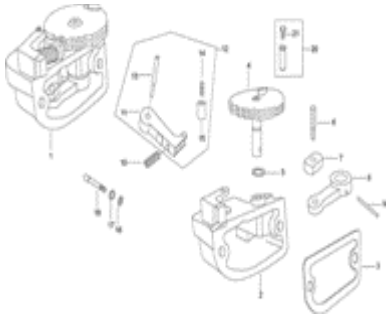


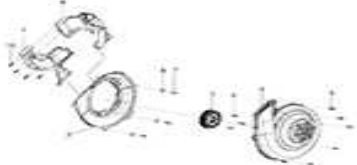




**PLATE-7.1** AIR FILTER ASSEMBLY

**Page No. :15-16**



## PICTORIAL PLATES INDEX

<p><b>PLATE-8      Carburetor</b></p> <p><b>Page No. :17-18</b></p> 	<p><b>PLATE-9      Complete Crankcase</b></p> <p><b>Page No. :19-20</b></p> 
<p><b>PLATE-9.1    GEAR SHIFTER AND CONTROL MECHANISM</b></p> <p><b>Page No. :21-22</b></p> 	<p><b>PLATE-10     Cylinder Head With I.P.</b></p> <p><b>Page No. :23-24</b></p> 
<p><b>PLATE-11     Crankshaft Assembly</b></p> <p><b>Page No. :25-26</b></p> 	<p><b>PLATE-12     Aircooling Circuit Components</b></p> <p><b>Page No. :27-28</b></p> 
<p><b>PLATE-13     Timing Group</b></p> <p><b>Page No. :29-30</b></p> 	<p><b>PLATE-14     Cylinder- Piston Group</b></p> <p><b>Page No. :31-32</b></p> 

## PICTORIAL PLATES INDEX

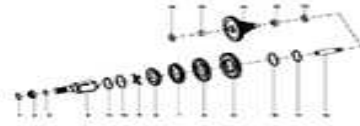
**PLATE-15 Electric Starting Group**

**Page No. :33-34**



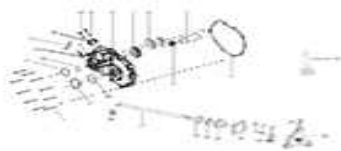
**PLATE-16 Gear Group**

**Page No. :35-36**



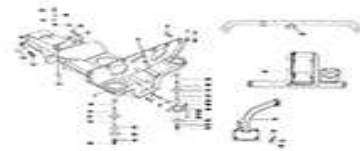
**PLATE-17 Differential Gear Group**

**Page No. :37-38**



**PLATE-18 Engine Support**

**Page No. :39-40**



**PLATE-19 Fuel Tank/Filter/Fuel Pipes**

**Page No. :41-42**



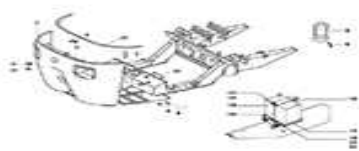
**PLATE-20 Wind Shield/Glass/Beading**

**Page No. :43-44**



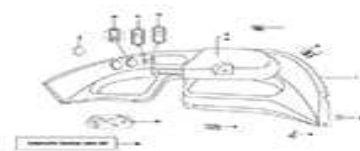
**PLATE-21 Main Frame/Driver Seat/Battery Bkt//Nose/Fr. Mud/Mud Flap**

**Page No. :45-46**



**PLATE-22 Inner Parts Of Cabin**

**Page No. :47-48**



# PICTORIAL PLATES INDEX

**PLATE-23 Rear Suspension**

**Page No. :49-52**



**PLATE-24 Steering Column And Front Suspension**

**Page No. :53-56**



**PLATE-25 Handle Bar And Control**

**Page No. :57-58**



**PLATE-26 Brake - Tandem Master Cylinder ,Brake Pipe And Hand Brakes**

**Page No. :59-62**



**PLATE-27 Electrical Devices**

**Page No. :63-66**



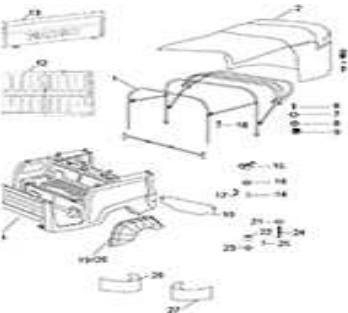
**PLATE-28 Electrical Devices**

**Page No. :67-68**



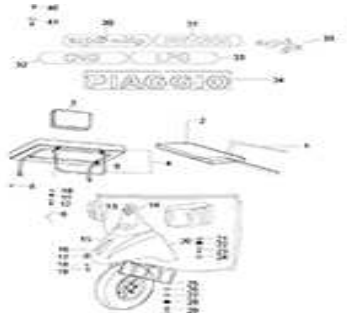
**PLATE-29 Passanger Auto Rikshaw Body-I**

**Page No. :69-70**



**PLATE-29.1 Passanger Auto Rikshaw Body-II**

**Page No. :71-72**



# PICTORIAL PLATES INDEX

**PLATE-30 Wiring Harness**

Page No. :73-74



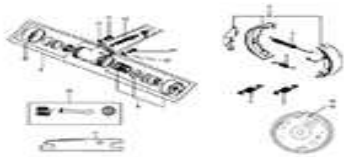
**PLATE-31 Front Brake Assembly**

Page No. :75-76



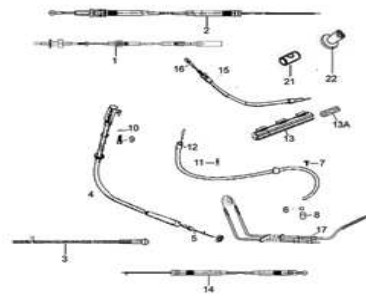
**PLATE-32 Rear Brake Assembly**

Page No. :77-78



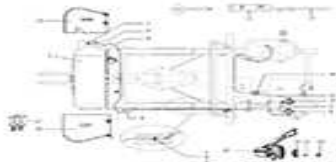
**PLATE-33 Cables**

Page No. :79-80



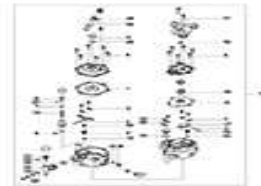
**PLATE-34 CNG Kit**

Page No. :81-82



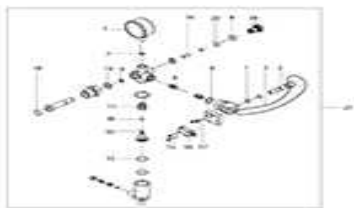
**PLATE-35 Two Stage CNG Regulator**

Page No. :83-84



**PLATE-36 First Stage Reduction Unit**

Page No. :85-86



**PLATE-37 LPG Kit**

Page No. :87-88

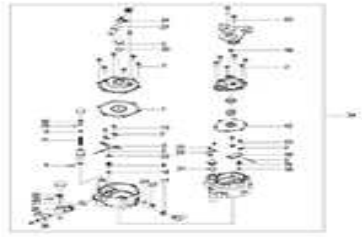




## PICTORIAL PLATES INDEX

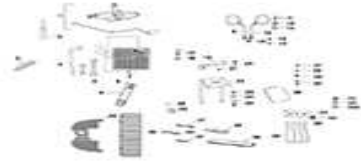
**PLATE-38 Two Stage LPG Regulator**

**Page No. :89-90**



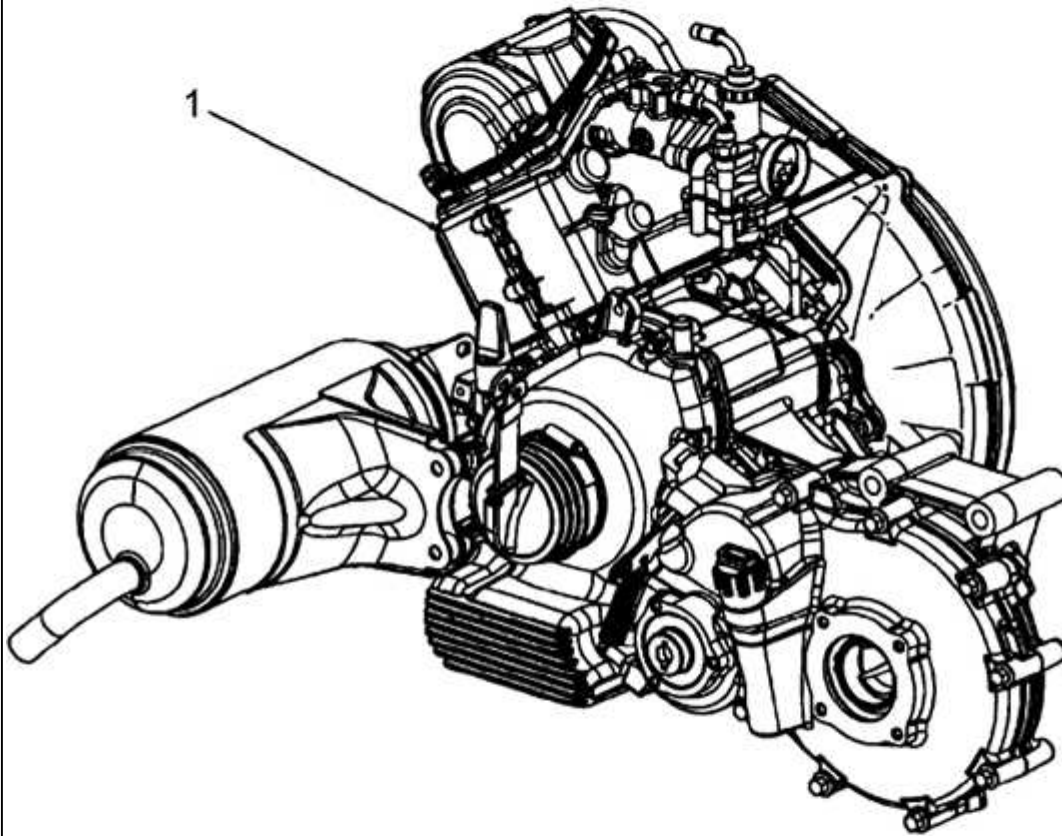
**PLATE-39 TOOLS & ACCESSORIES**

**Page No. :91-94**



**PLATE-1**

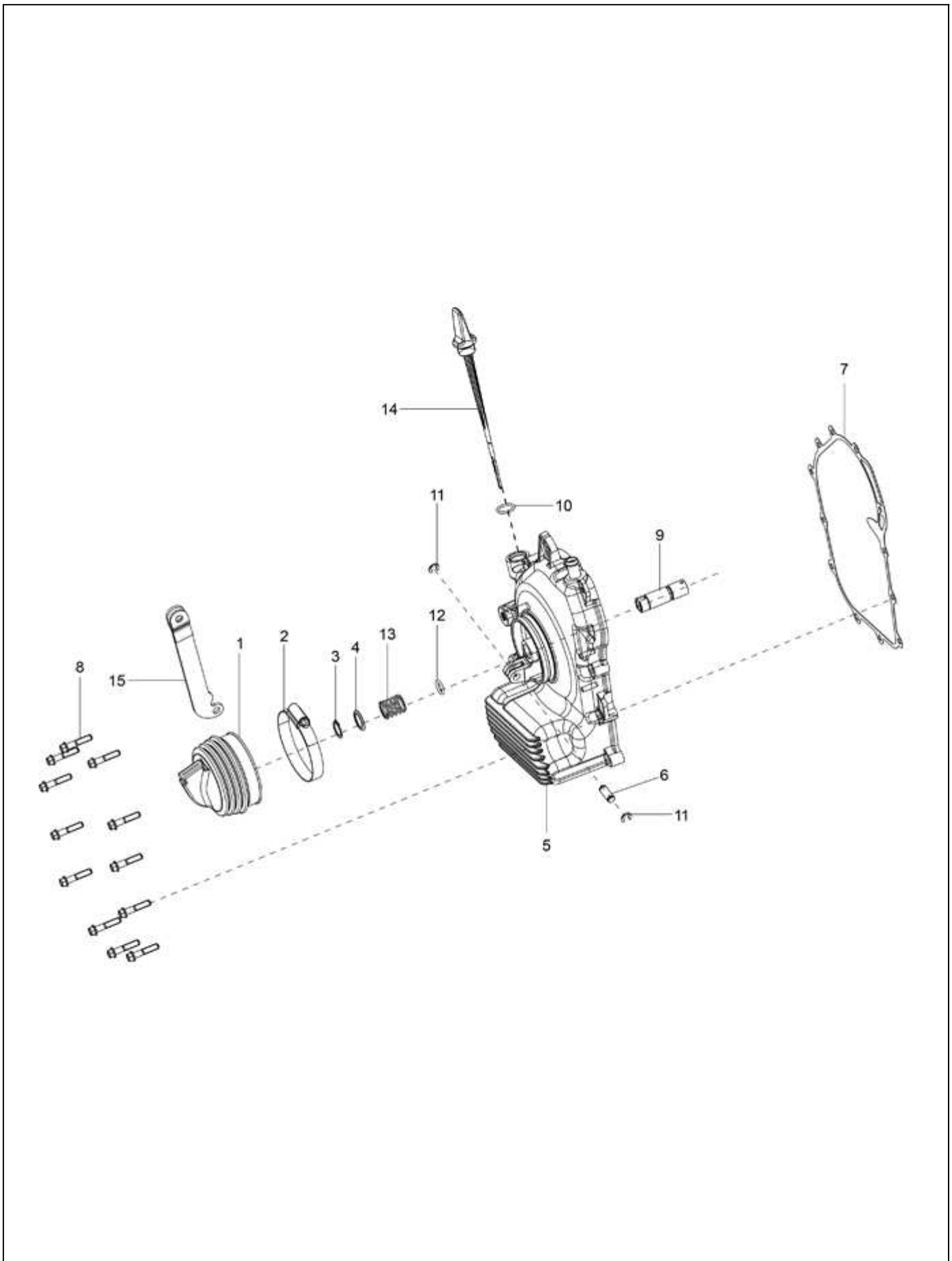
**Eng.200 4S/3V BIII Air Ape Pax India**



**PLATE-1****Eng.200 4S/3V BIII Air Ape Pax India**

<b>Fig. No.</b>	<b>Part No.</b>	<b>Description</b>	<b>Qty</b>	<b>Remarks</b>
1	CM168810	ENGINE ASSY - PETROL	1	
1	CM168802	ENGINE ASSY - LPG	1	
1	CM168803	ENGINE ASSY - CNG	1	

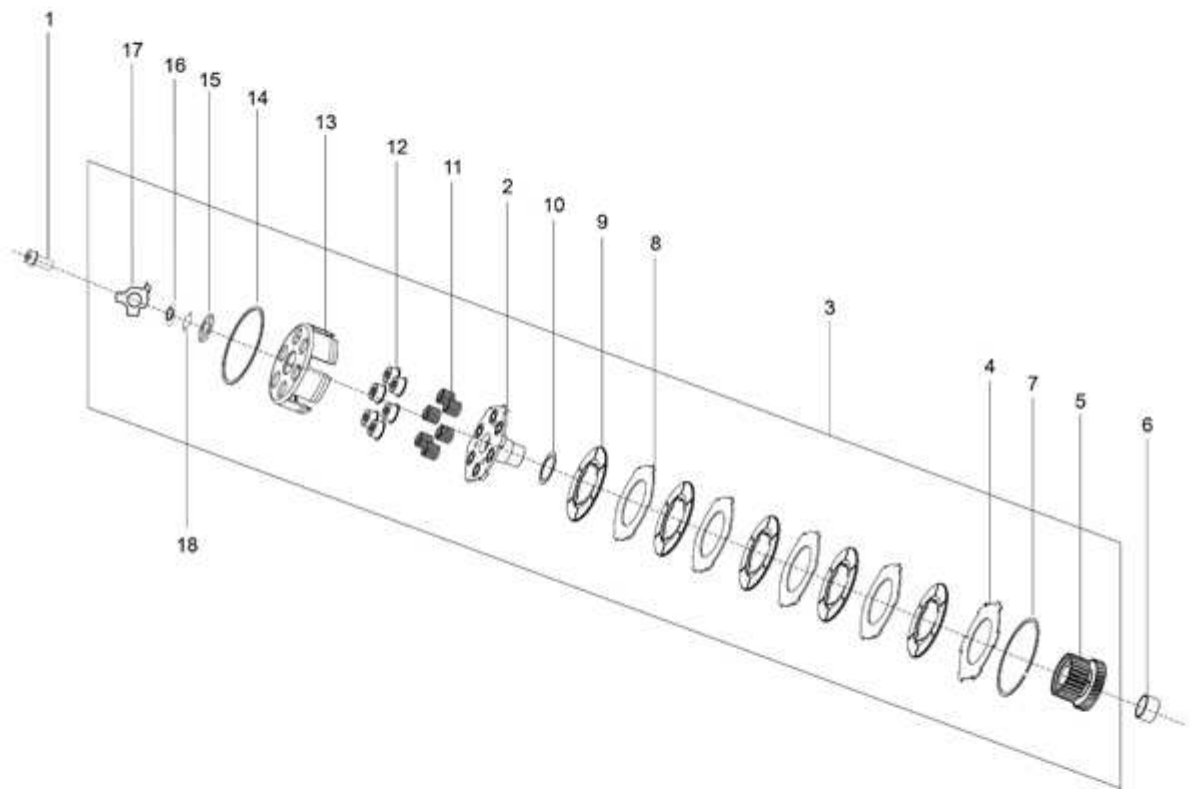
**PLATE-2**  
**Clutch Cover Assembly**



**PLATE-2****Clutch Cover Assembly**

<b>Fig. No.</b>	<b>Part No.</b>	<b>Description</b>	<b>Qty</b>	<b>Remarks</b>
1	127012019	BELLOW CLUTCH ACTUATING	1	
2	120170018	HOSE CLIP - CLUTCH COVER BELOW	1	
3	842001600	CIRCLIP DIA.16(EXT)	1	
4	120164019	RETAINING PLATE	1	
5	B015863	CLUTCH COVER WITH P.I.	1	
6	127013013	PIN CLUTCH	1	
7	B018549	CLUTCH COVER GASKET	1	
8	B018853	FLANGED HEXAGONAL HEAD SCREW M6X30	12	
9	1A001457	PLUNGER SHAFT	1	
10	479986	O-RING GASKET	1	
11	843000809	CIRCLIP DIA.8(EXT) TYPE C	2	
12	B019220	O- RING (PLUNGER SHAFT)	1	
13	127185012	SPRING - CLUTCH COVER	1	
14	B016472	OIL DIPSTICK ASSY	1	
15	127460010	LINK ASSLY - CLUTCH (IMPROVED)	1	

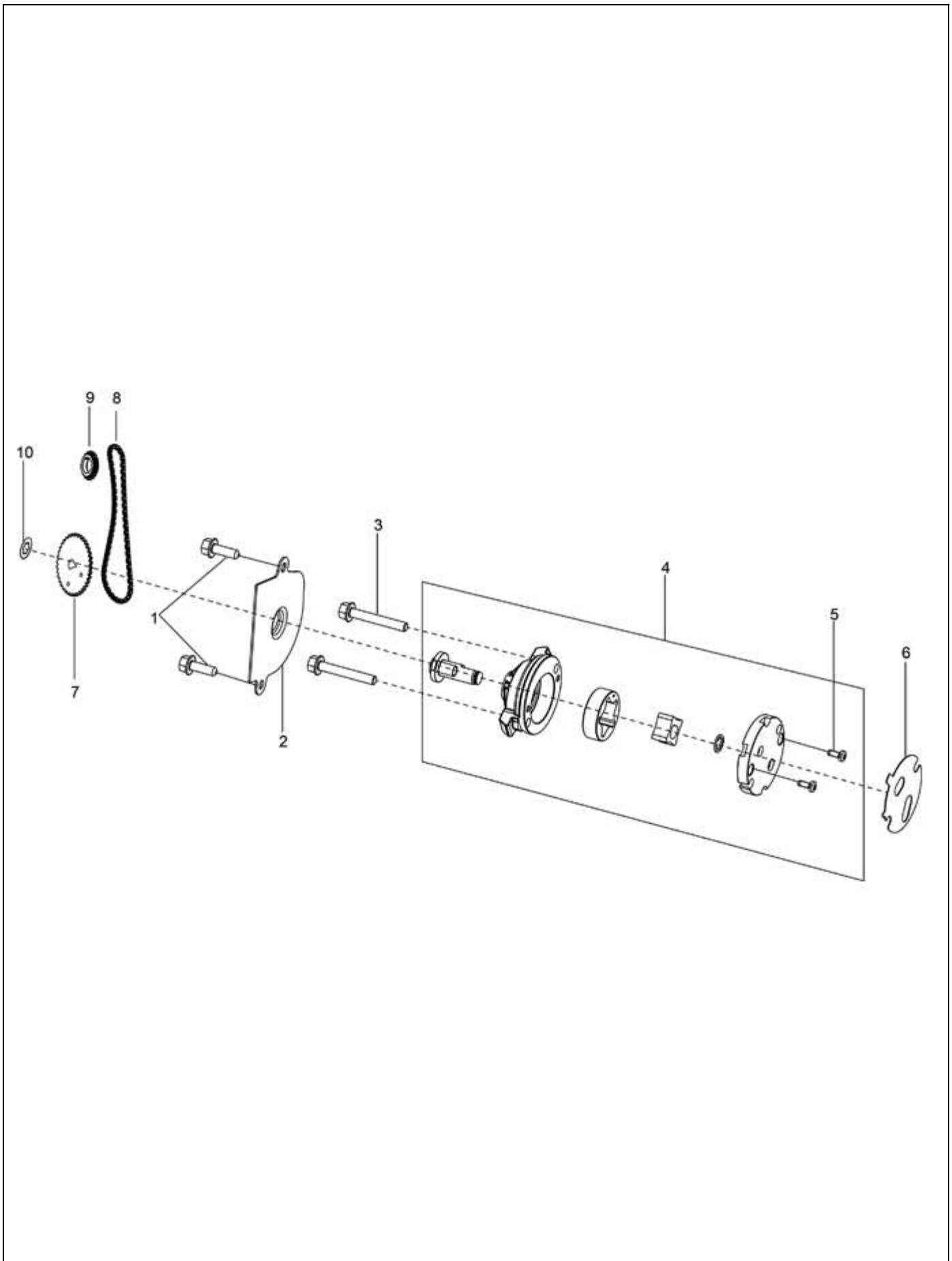
**PLATE-3**  
**Clutch Group**



**PLATE-3****Clutch Group**

<b>Fig. No.</b>	<b>Part No.</b>	<b>Description</b>	<b>Qty</b>	<b>Remarks</b>
1	B018678	SCREW M8X30	1	
2	B016033	CLUTCH HUB WITH P.I.	1	
3	1A001456	COMPLETE CLUTCH ASSLY	1	
4	127693019	PRESSURE PLATE OUTER (VE)	1	
5	B015862	ENGINE GEAR	1	
6	B016160	SPACER WASHER	1	
7	127754019	CIRCLIP - CLUTCH BOX	1	
8	127692015	DRIVING PLATE THK. 2.0 MM	4	
9	127530011	DRIVEN PLATE ASLY	5	
10	127758015	SHIM	1	
11	B023890	CLUTCH SPRING	6	
12	127757011	CUP - CLUTCH SPRING	6	
13	1A001455	CLUTCH HOUSING	1	
14	121131019	RING CLUTCH BOX	1	
15	1A004644	THRUST BEARING	1	
16	129011019	WASHER FOR CLUTCH ASSY.	1	
17	129012013	TAB WASHER	1	
18	286406	SPRING CLIP	1	

**PLATE-4**  
**Oil Pump Assembly**

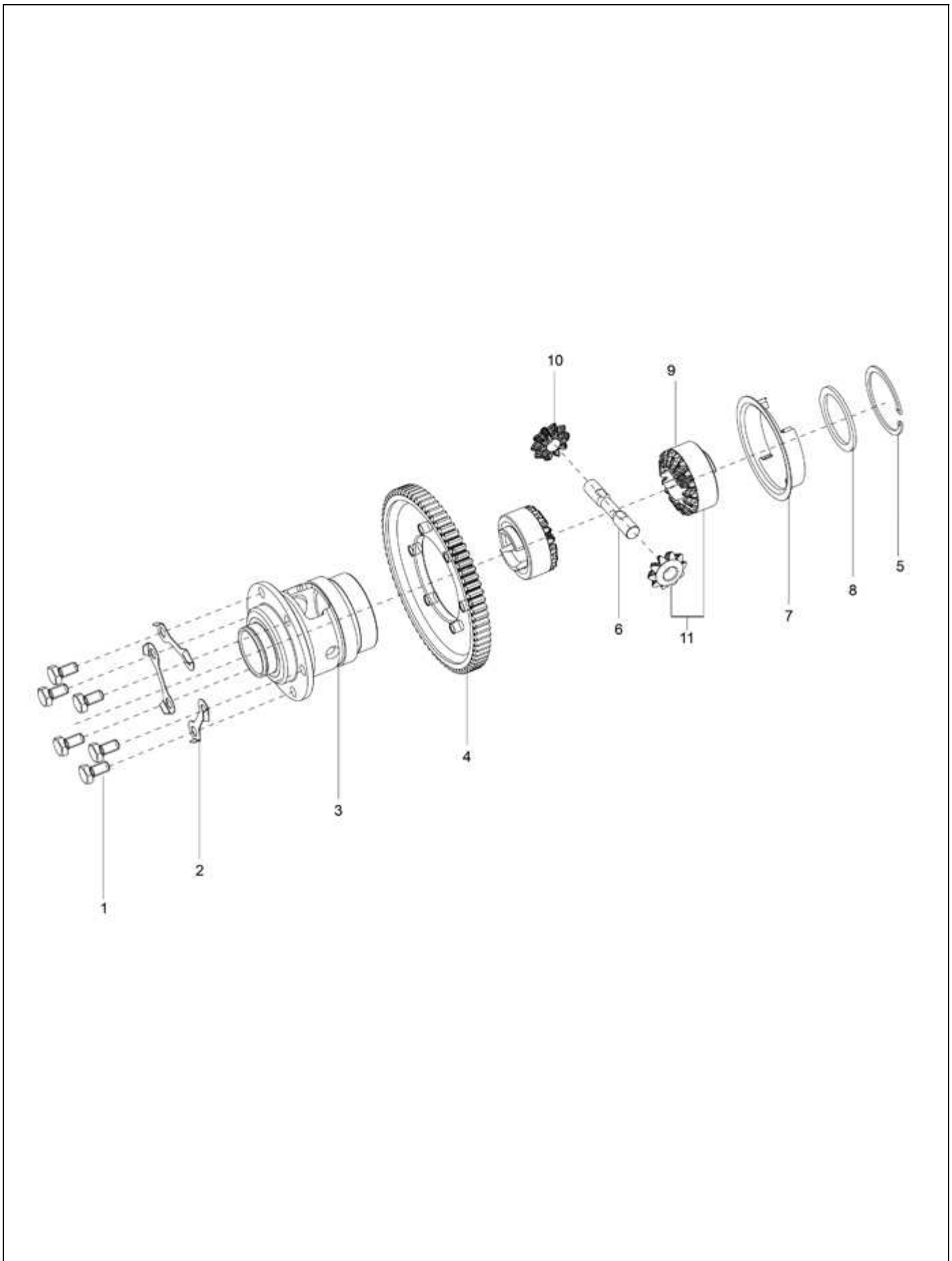




**PLATE-4****Oil Pump Assembly**

<b>Fig. No.</b>	<b>Part No.</b>	<b>Description</b>	<b>Qty</b>	<b>Remarks</b>
1	830061	FLANGED HEXAGONAL HEAD SCREW	2	
2	1A002947	OIL BULKHEAD	1	
3	829593	FLANGED HEXAGONAL HEAD SCREW	2	
4	82948R	OIL PUMP ASSEMBLY	1	
6	B015943	CRANKCASE/ OIL PUMP GASKET	1	
7	B017042	OIL PUMP CROWN	1	
8	B015026	OIL PUMP CHAIN 48 PITCHES	1	
9	1A001905R	OIL PUMP PINION	1	
10	B016160	SPACER WASHER	1	

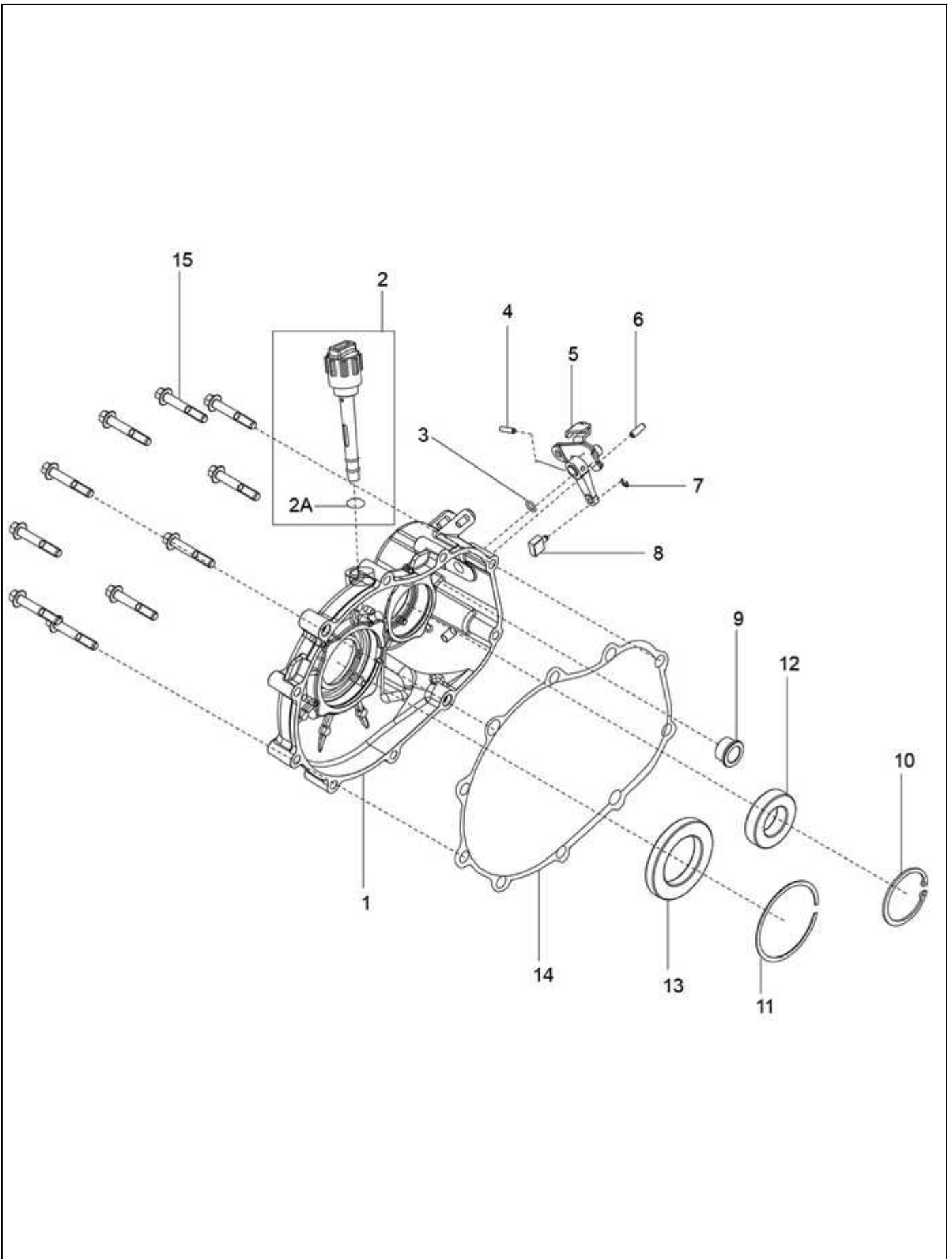
**PLATE-5**  
**Complete Differential Gear**



**PLATE-5****Complete Differential Gear**

<b>Fig. No.</b>	<b>Part No.</b>	<b>Description</b>	<b>Qty</b>	<b>Remarks</b>
1	1A004807	SCREW	6	
2	B003155	LOCK PLATE	3	
3	288730	DIFFERENTIAL CAGE	1	
4	B017135	DIFFERENTIAL CROWN - PETROL / LPG	1	
4	B015818	DIFFERENTIAL CROWN - CNG	1	
5	132134SR	CIRCLIP	2	
6	132129	PIN	1	
7	132244	STOPPER THK=1.0	1	
8	220575	WASHER 65X3	1	
9	165155R	DIFFERENTIAL GEAR	2	NS
10	132136R	GEAR SUN	2	NS
11	940028	GEAR SUN AND DIFFERENTIAL GEAR	2	

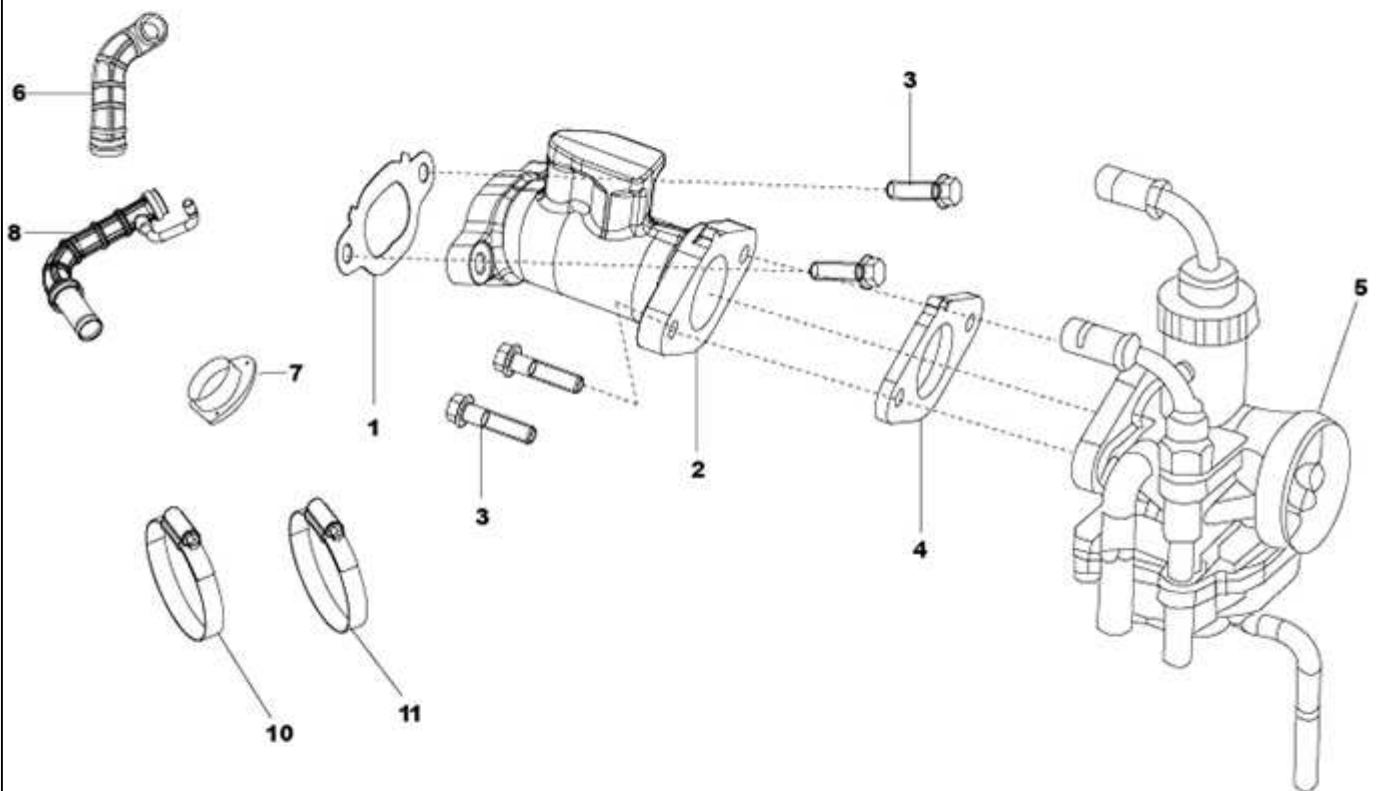
**PLATE-6**  
**Differential Gear Cover With P.I.**



**PLATE-6****Differential Gear Cover With P.I.**

<b>Fig. No.</b>	<b>Part No.</b>	<b>Description</b>	<b>Qty</b>	<b>Remarks</b>
1	B019214	DIFFERENTIAL COVER	1	
2	112898	OIL LEVEL ARM WITH PLUG	1	
2A	127016015	DIPSTICK SEALING WASHER	1	
3	1A005176	O- RING	1	
4	17702	SPRING PIN	1	
5	SP1A009310	COMPLETE INVERTER LEVER SECTOR-SPD-PTL/LPG	1	
5	SP1A009309	COMPLETE INVERTER LEVER SECTOR- SPD-CNG	1	
6	822051647	SPRING PIN 5X16	1	
7	843000500	CIRCLIP DIA.5 (EXT) TYPE C	1	
8	B017493	SLIDER - PETROL / LPG	1	
8	B018673	SLIDER - CNG	1	
9	BO42486	BUSH	1	
10	841005506	CIRCLIP DIA. 55 (INT)	1	
11	111353	CIRCLIP	1	
12	880305509R	DEEP GROOVE BALL BEARING 30X55X13	1	
13	7066R	RADIAL BALL BEARING	1	
14	NS	VALVE GUIDE SET	1	
15	B016621	SCREW M8X50	12	

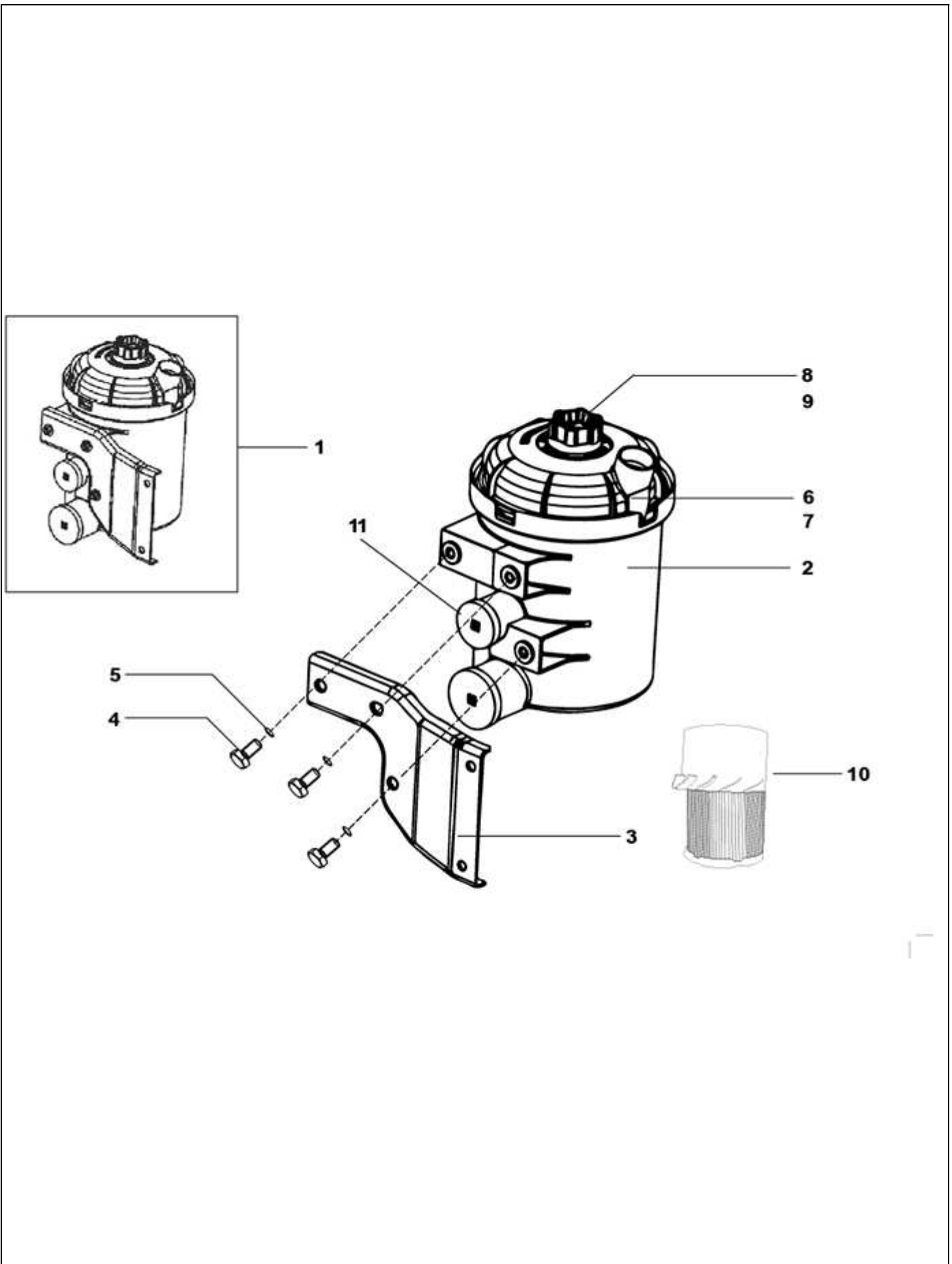
**PLATE-7**  
**Intake Fitting - Carburetor**



**PLATE-7****Intake Fitting - Carburetor**

<b>Fig. No.</b>	<b>Part No.</b>	<b>Description</b>	<b>Qty</b>	<b>Remarks</b>
1	B018442	INTAKE FITTING GASKET	1	
2	B018775	INTAKE FITTING	1	
3	018639	SCREW M6X20	4	
4	B016016	INTAKE FITTING GASKET WITH O-RING	1	
5	CM166104	CARBURETOR UVD 22 PETROL	1	
5	CM166102	CARBURETOR UVD 22-LPG	1	
5	CM166103	CARBURETOR UVD 22-CNG	1	
5	1A002305	CARBURETOR UBT22 - LPG (SINGLE MODE)	1	
6	B019289	SNORKEL AIRBOX	1	
7	B024936	RESTRICTOR AIR FILTER INLET	1	
7	B041090	RESTRATOR FOR AIR FILTER-SNORKEL LPG	1	
7	B018978	RESTRICTOR AIR FILTER INLET - LPG	1	
8	B018072	AIR BOX SNORKEL	1	
8	B017443	CARB./AIR BOX COUPLING (CNG/LPG)	1	
9	604756	HOSE CLIP	1	
10	604553	WORM CLIP	1	

**PLATE-7.1**  
**AIR FILTER ASSEMBLY**

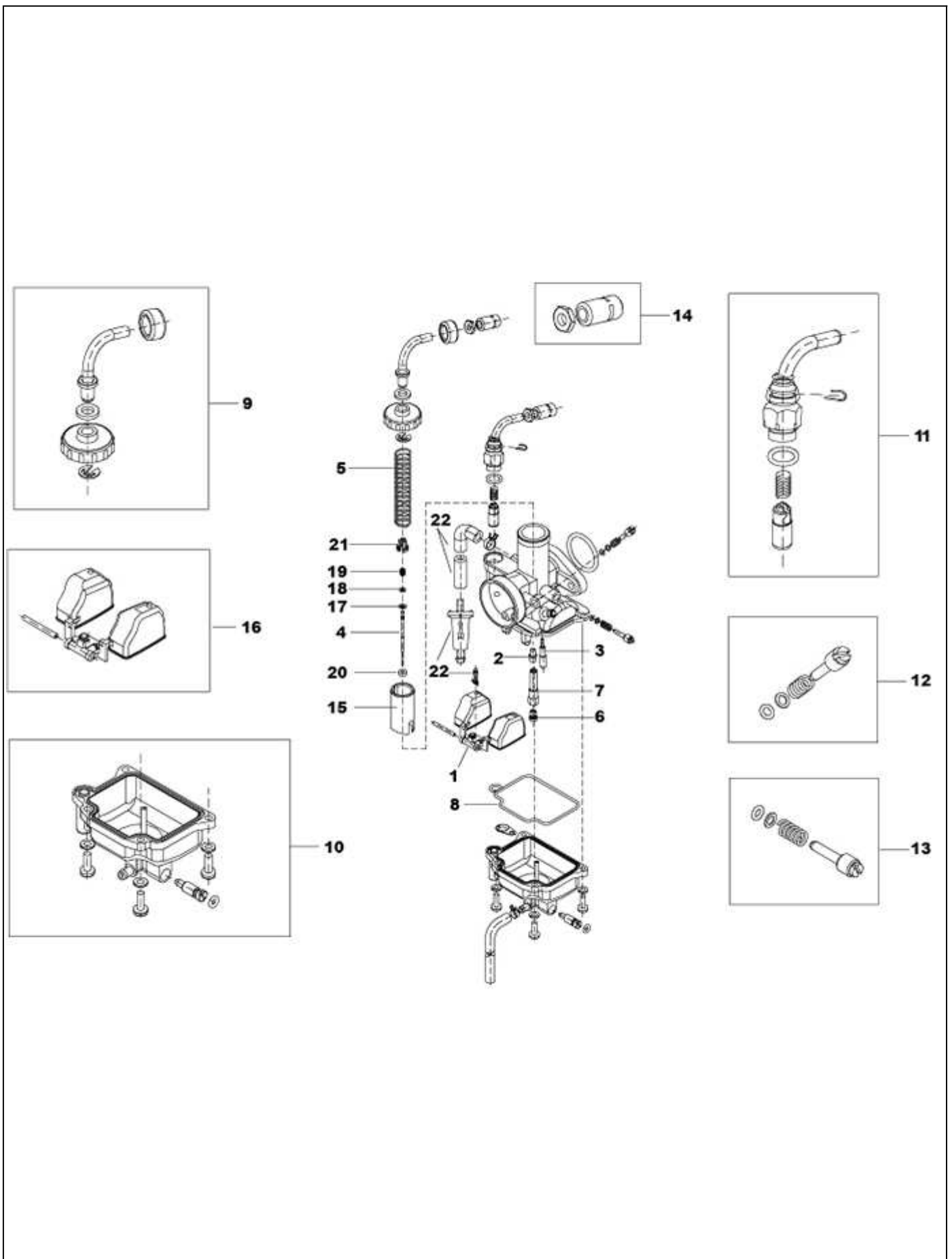




**PLATE-7.1****AIR FILTER ASSEMBLY**

<b>Fig. No.</b>	<b>Part No.</b>	<b>Description</b>	<b>Qty</b>	<b>Remarks</b>
1	B041088	AIR FILTER ASSEMBLY WITH MOUNTING BKT	1	
2	B003605	AIR FILTER ASSEMBLY W/O MTG BKT	1	
3	B008924	AIR FILTER MTG. BKT. (NI)	1	
4	31118	SCREW M8X20	3	
5	16408	SPRING WASHER M8	3	
6	940031	AIR FILTER COVER (PAXX 200)	1	
7	940032	AIR FILTER COVER GASKET (PAXX 200)	1	
8	940034	AIR FILTER KNOB (PAXX 200)	1	
9	940033	AIR FILTER KNOB GASKET (PAXX 200)	1	
10	932279	AIR FILTER ELEMENT	1	
11	B041090	RETRACTOR FOR AIR FILTER-SNORKEL LPG	1	
12	B014233	CENTRIFUGAL MASS WITH I.P.	1	

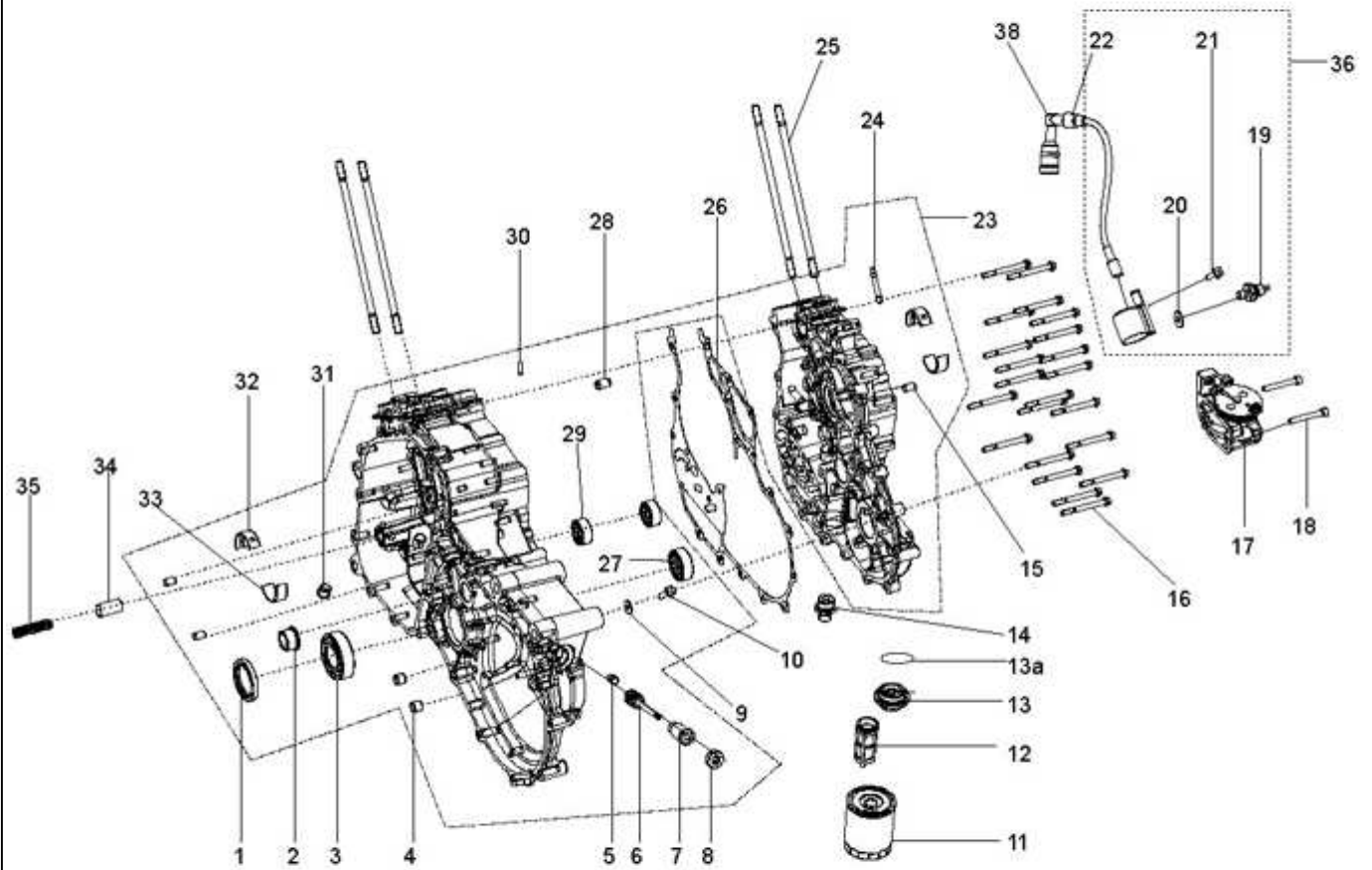
**PLATE-8**  
**Carburetor**



**PLATE-8****Carburetor**

<b>Fig. No.</b>	<b>Part No.</b>	<b>Description</b>	<b>Qty</b>	<b>Remarks</b>
1	B016823	FLOAT PIN	1	
2	B019344	NEEDLE JET (PETROL/LPG)	1	
2	B017541	NEEDLE JET (CNG)	1	
3	CM167802	PILOT JET (CNG/LPG)	1	
3	CM167803	PILOT JET (PETROL)	1	
4	B019342	JET NEEDLE (PETROL)	1	
4	B019343	JET NEEDLE (CNG)	1	
5	B016829	SPRING (PV)	1	
6	CM167704	MAIN JET (CNG)	1	
6	CM167706	MAIN JET (PETROL)	1	
6	CM167708	MAXIMUM JET	1	
7	CM167901	JET HOLDER (PETROL)	1	
7	CM167902	DIFFUSER	1	
8	B016834	FLOAT CHAMBER GASKET	1	
9	B016825	GAS VALVE COVER KIT	1	
10	B016822	FLOAT CHAMBER BODY ASSY KIT	1	
11	1A000542	STARTER KIT	1	
12	B016826	AIR SCREW KIT	1	
13	B016828	IDLE ADJUSTER KIT	1	
14	B016869	CABLE ADJUSTER KIT	1	
15	B016827	THROTTLE VALVE	1	
16	B016824	STARTER DEVICE KIT	1	
17	1A004221	E-RING	1	
18	1A004222	PACKGING	1	
19	1A004223	SPRING	1	
20	1A004224	RING	1	
21	1A004225	HOLDER	1	
22	B017542	NEEDLE VALVE KIT	1	

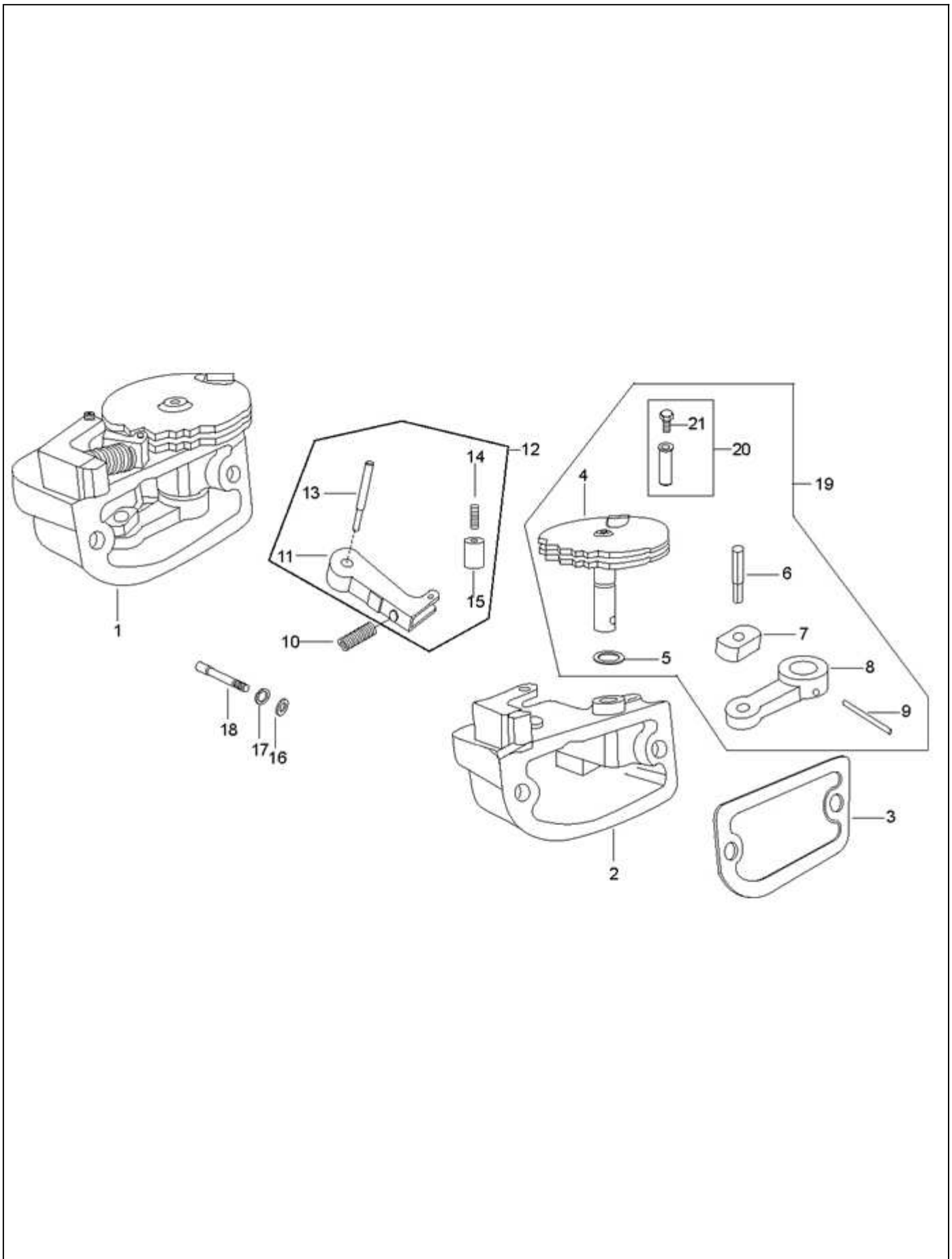
**PLATE-9**  
**Complete Crankcase**



**PLATE-9****Complete Crankcase**

Fig. No.	Part No.	Description	Qty	Remarks
1	1A002685	SEAL RING 35X47X6	1	
2	120302013	BUSH	1	
3	880255211R	DEEP GROOVE BALL BEARING 25X52X15	1	
4	B015591	REFERENCE DOWEL	2	
5	165121014	PIN	1	
6	117404	SPEEDOMETER GEAR	1	
7	117401	BUSH	1	
8	117402	OIL SEAL	1	
9	B017178	WASHER	1	
10	B018718	EXAG. SOCKET CYLIND.HEAD SCREW M5X14	1	
11	1A009762	OIL FILTER SCREW	1	
12	83065R	INTAKE OIL FILTER COMPLETE	1	
13	B015598	OIL FILTER PLUG	1	
13A	285536	O-RING GASKET 31.47X1.78	1	
14	B016856	OIL FILTER SCREW	1	
15	1A000708	DOWEL (Ø7,5, H=12)	4	
16	432142	HEXAGONAL RANGE HEAD SCREW (M6X35)	22	
17	1A001862	COMPLETE GEAR SHIFTER HSG ASSLY (NEW)	1	
17	1A001862	COMPLETE GEAR SHIFTER HSG ASSLY (NEW)	1	
17	127640012	COMPLETE GEAR SHIFTER HSG ASSLY	1	
18	819064530	SOCKET HEAD CAP SCREW M6X45	2	
19	641541	MIN.PRESSURE OIL SWITCH N.C.	1	
20	AP9150472	WASHER	1	
21	414837	SCREW M6X20	2	
22	1A001795	SPARK PLUG PROTECTION COLLAR	1	
23	940037	COMPLETE CRANKCASE WITH CRANKSHAFT STUB BEARING	1	
24	B019246	DOWEL	1	
25	B014755	STUD SCREW	4	
26	B015941	HALF-CRANKCASE GASKET	1	
27	120212012	NEEDLE BUSH	1	
28	B015592	REFERENCE DOWEL (D.9,5 H=15)	2	
30	484034	SIZING NOZZLE	1	
31	411311	TAPER THREAD PLUG	1	
32	B015872	CRANKSHAFT STUB UPPER HALF BEARING	2	
33	B015873	CRANKSHAFT STUB LOWER HALF BEARING	2	
34	829661	OIL PRES.VALVE	1	
35	485655	SPRING FOR OIL PRESSURE VALVE	1	
36	1A001794	COMPLETE H.T.COIL	1	
37	1A001283	OIL FILTER PROTECTION BRACKET (N.I.)	1	
38	643149	SPARK PLUG CAP	1	

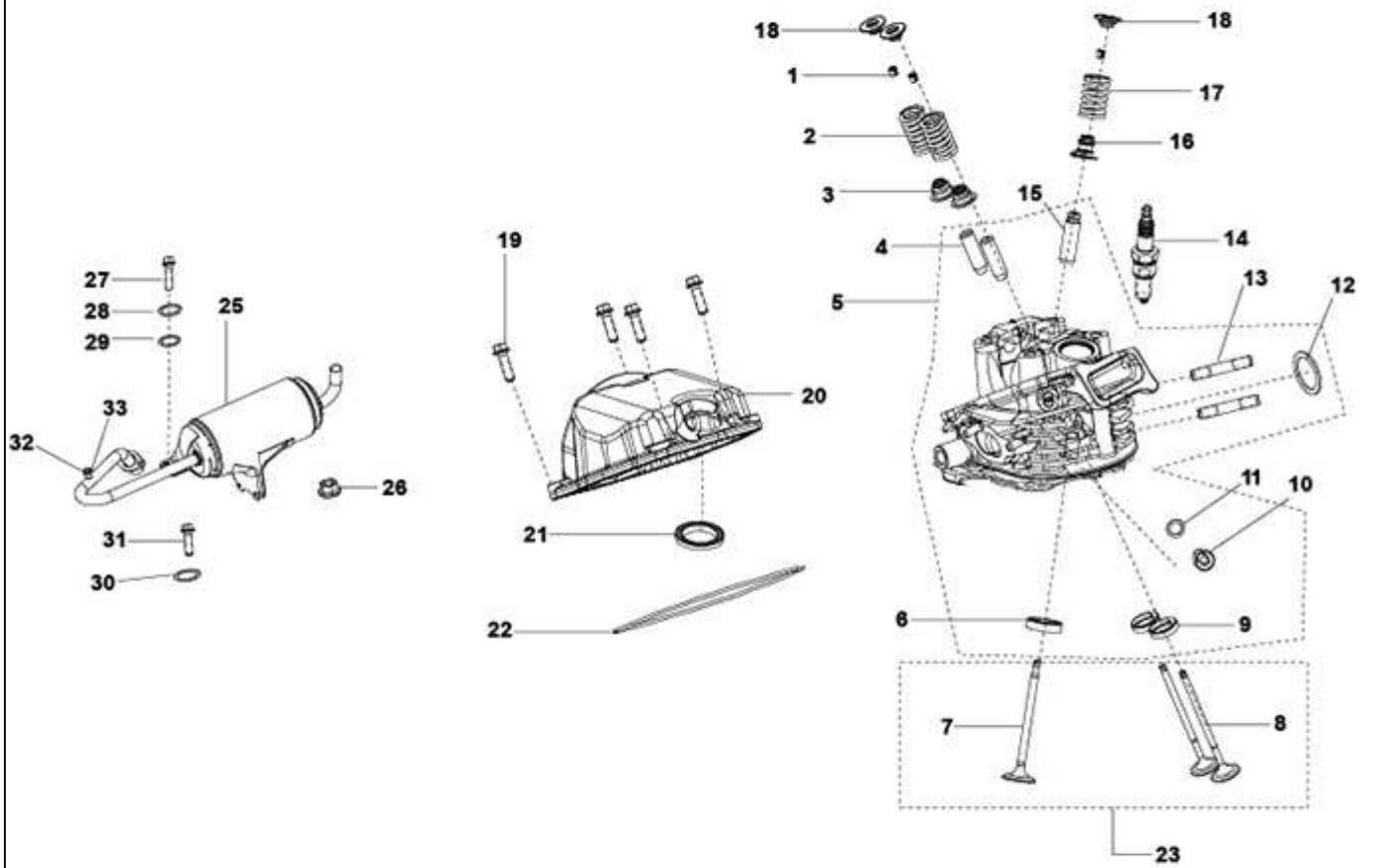
**PLATE-9.1**  
**GEAR SHIFTER AND CONTROL MECHANISM**



**PLATE-9.1****GEAR SHIFTER AND CONTROL MECHANISM**

<b>Fig. No.</b>	<b>Part No.</b>	<b>Description</b>	<b>Qty</b>	<b>Remarks</b>
1	1A001862	COMPLETE GEAR SHIFTER HSG ASSLY (NEW)	1	
2	127641016	GEAR SHIFTER HOUSING	1	
3	128081017	GASKET HOUSING GEAR SHIFTER HOUSING	1	
4	1A001864	COMPLETE SECTOR (ASSY OF SR. NOS. 4,5,6,7,8)	1	
5	825080209	O - RING - (SECTOR PLATE ASSY.)	1	
6	126022017	PIN FOR SLIDER BLOCK	1	
7	126021013	SLIDER BLOCK	1	
8	526023017	GEAR SHIFTER LEVER	1	
9	17702	SPRING PIN	1	
10	126003011	SPRING GEAR SHIFTER ASSY.	1	
11	126060019	BRACKET ASSY.	1	
12	126050014	BKT. WITH ROLLER ASSY. CONSISTING OF SR.N.11,13-15	1	
13	126054010	SCREW FOR BRACKET	1	
14	126053016	PIN FOR ROLLER	1	
15	126052012	ROLLER	1	
16	3056	PLAIN WASHER	2	
17	16406	SPRING WASHER	2	
18	819064530	SOCKET HEAD CAP SCREW M6X45	2	
19	SP1A003853	SECTOR AND LEVER ASSLY APE PAX - SPD	1	
20	604560	SCREW TERMINAL ASSY. - GEAR CONTROL	1	
21	31054	HEX HD. SCREW M5X10 CL8.8	2	

**PLATE-10**  
**Cylinder Head With I.P.**

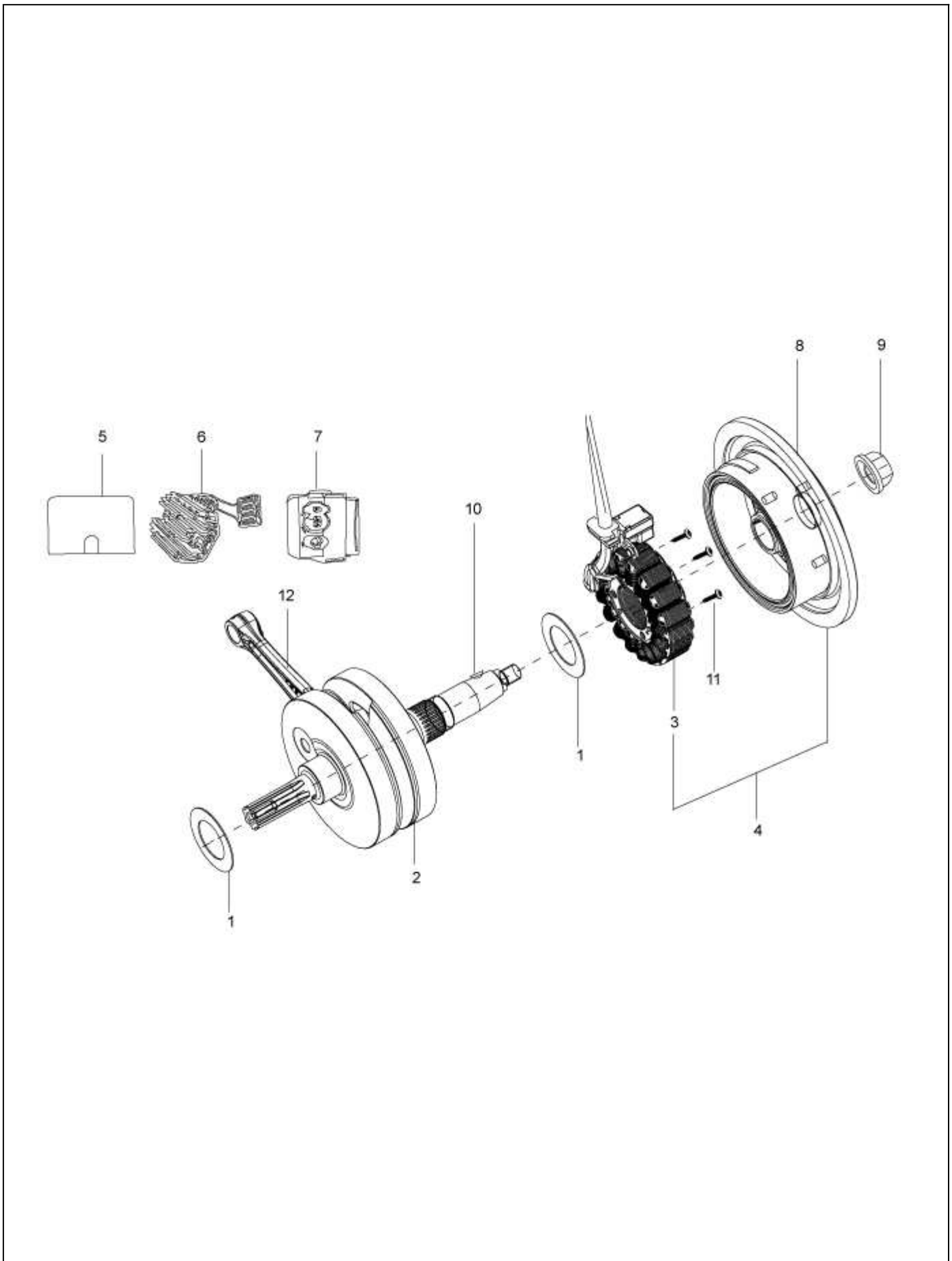




**PLATE-10****Cylinder Head With I.P.**

Fig. No.	Part No.	Description	Qty	Remarks
1	B015288	HALF-CONE	3	
2	B014706	VALVE SPRING (INTAKE)	2	
3	83053R	VALVE SEAL RING	2	
4	NS	VALVE GUIDE SET	2	
5	1A004939	CYLINDER HEAD ASSY	1	
6	B017336	EXHAUST VALVE SEAT	1	
7	B017438	EXHAUST VALVE Ø22	1	
8	B014684	INTAKE VALVE Ø20	2	
9	B017230	INTAKE VALVE SEAT	2	
10	269755	SOCKET HEAD SCREW (M8X12)	1	
11	485703	WASHER	1	
12	434716	CYLINDER HEAD/MUFFLER GASKET	1	
13	B016368	SPECIAL STUD	2	
14	643367	SPARK PLUG	1	
15	NS	VALVE GUIDE SET	1	
16	83054R	VALVE SEAL RING	1	
17	B014705	VALVE SPRING (EXHAUST)	1	
18	B017456	UPPER CUP	3	
19	1A002691	FLANGED HEX HEAD SCREW M6X20 CL10	4	
20	B019350	HEAD COVER	1	
21	B014732	SPARK PLUG HOLE GASKET	1	
22	B018533	CYLINDER HEAD COVER GASKET	1	
23	1U000020	VALVE SET (2 INLET & 1 OUTLET)	1	
24	NS	VALVE GUIDE SET	1	
25	B017921	MUFFLER ASSY-PETROL\LPG	1	
25	B019285	MUFFLER ASSY-CNG	1	
26	436947	FLANGED NUT M7X1 H=8	2	
27	30074	HEX HEAD BOLT M8 X 40 CL 8.8	2	
28	16408	SPRING WASHER M8	2	
29	3056	PLAIN WASHER	2	
30	16406	SPRING WASHER	2	
31	31089	HEX HEAD SCREW M6X18 CL 8.8	2	
32	433122	SCREW M10X6	1	
33	B016195	WASHER	1	

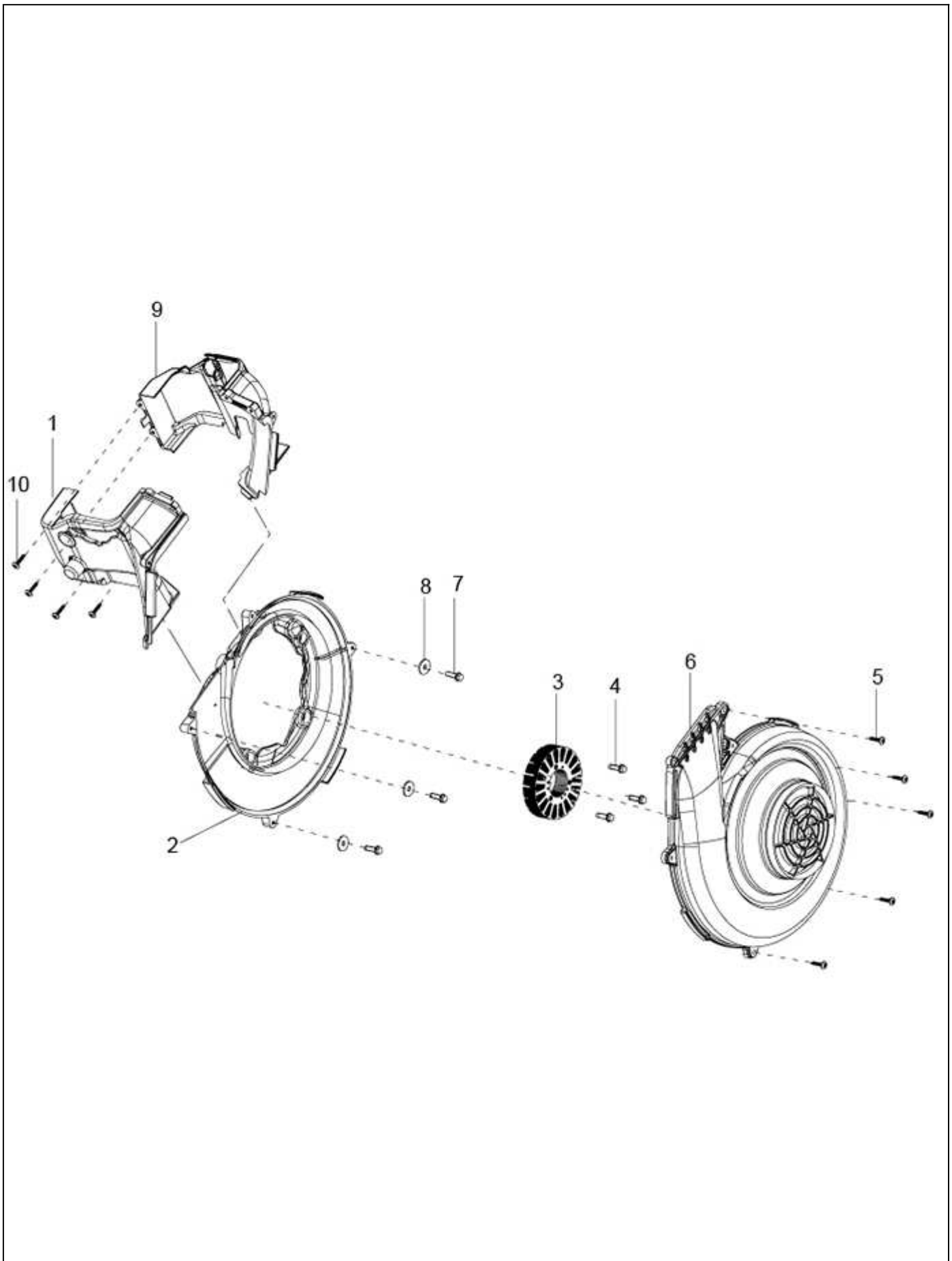
**PLATE-11**  
**Crankshaft Assembly**



**PLATE-11****Crankshaft Assembly**

<b>Fig. No.</b>	<b>Part No.</b>	<b>Description</b>	<b>Qty</b>	<b>Remarks</b>
1	B016144	WASHER	2	
2	SP1A007011	CRANKSHAFT ASSEMBLY WITH OIL DOWEL	1	
2	SP1A008092	CRANKSHAFT ASSEMBLY WITH THREADED CAP-ONLY FOR LAM ENGINE	1	
3	680075	STATOR ASSLY	1	
4	58295R	COMPLETE A.C.GENERATOR	1	
5	B024056	COVER CDI	1	
6	1D000671R	VOLTAGE REGULATOR	1	
7	680165	CONTROL DEVICE IGNITION (CDI) CNG	1	
7	643140	CONTROL DEVICE IGNITION (CDI) PETROL	1	
7	680164	CONTROL DEVICE IGNITION (CDI) LPG	1	
8	680070	ROTAR ASSY WITH HUB	1	
9	436783	NUT WITH SPRING WASHER	1	
10	000267	WOODRUFF KEY	1	
11	1A000404	CYLINDRICAL HEAD WITH CROSS MOULD SCREW	3	ECN
12	1A008613	CONNECTING ROD WITH IP-CRANK PIN GROUP	1	

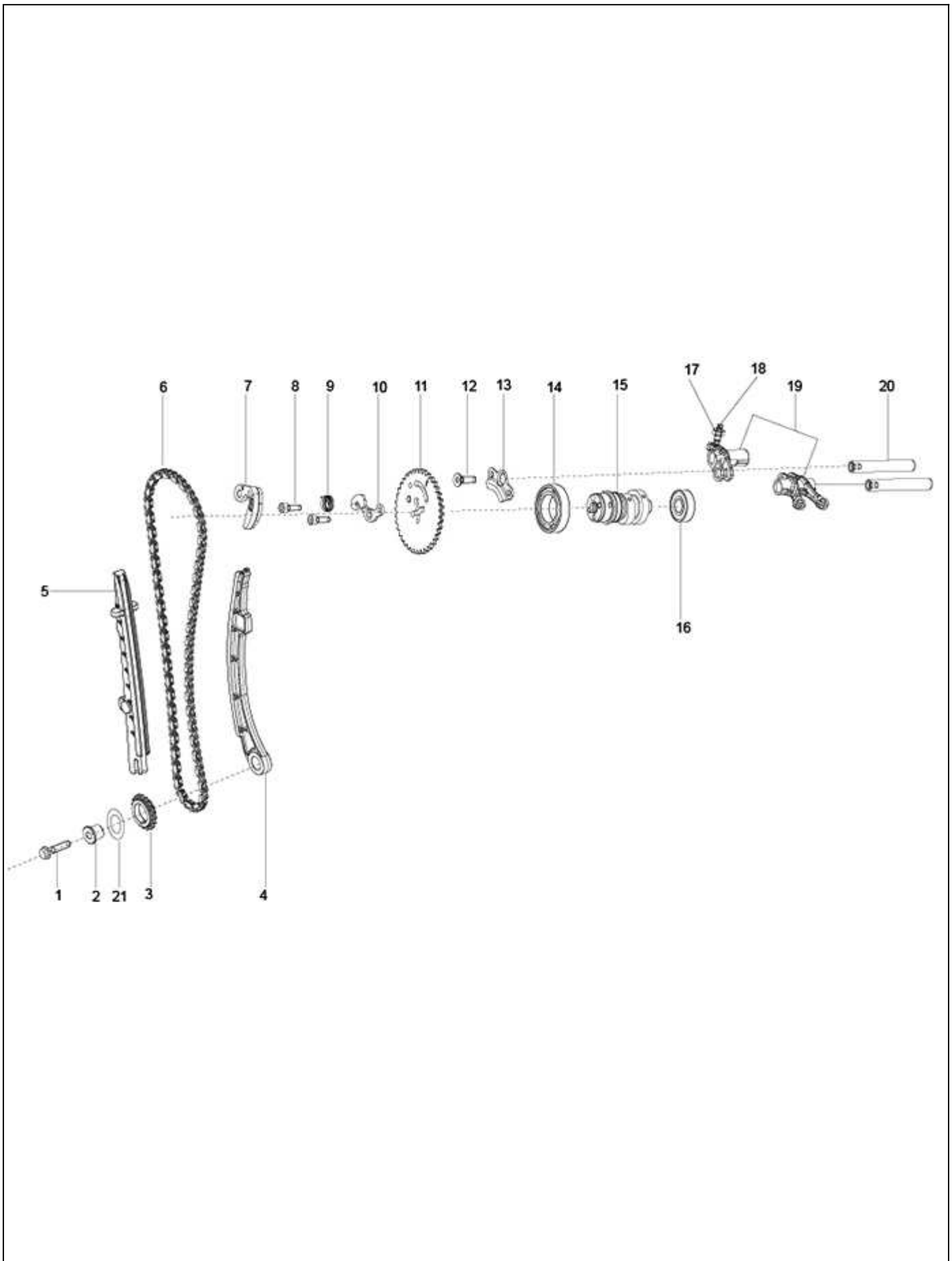
**PLATE-12**  
**Aircooling Circuit Components**



**PLATE-12****Aircooling Circuit Components**

<b>Fig. No.</b>	<b>Part No.</b>	<b>Description</b>	<b>Qty</b>	<b>Remarks</b>
1	B018023	COMPLETE SHROUD INTAKE SIDE	1	
2	B015931	FAN COVER SUPPORT	1	
3	1A000831	ASSY FAN	1	
4	1A002691	FLANGED HEX HEAD SCREW M6X20 CL10	3	
5	1A000024	SELF TAPPING SCREW (3X20)	9	
6	B017377	FAN COVER	1	
7	018639	SCREW M6X20	4	
8	B016192	WASHER 6.2X20X2	4	
9	B018025	SHROUD EXHAUST SIDE	1	
10	B016620	SCREW WITH CYLINDRICAL HEAD M5X21	1	

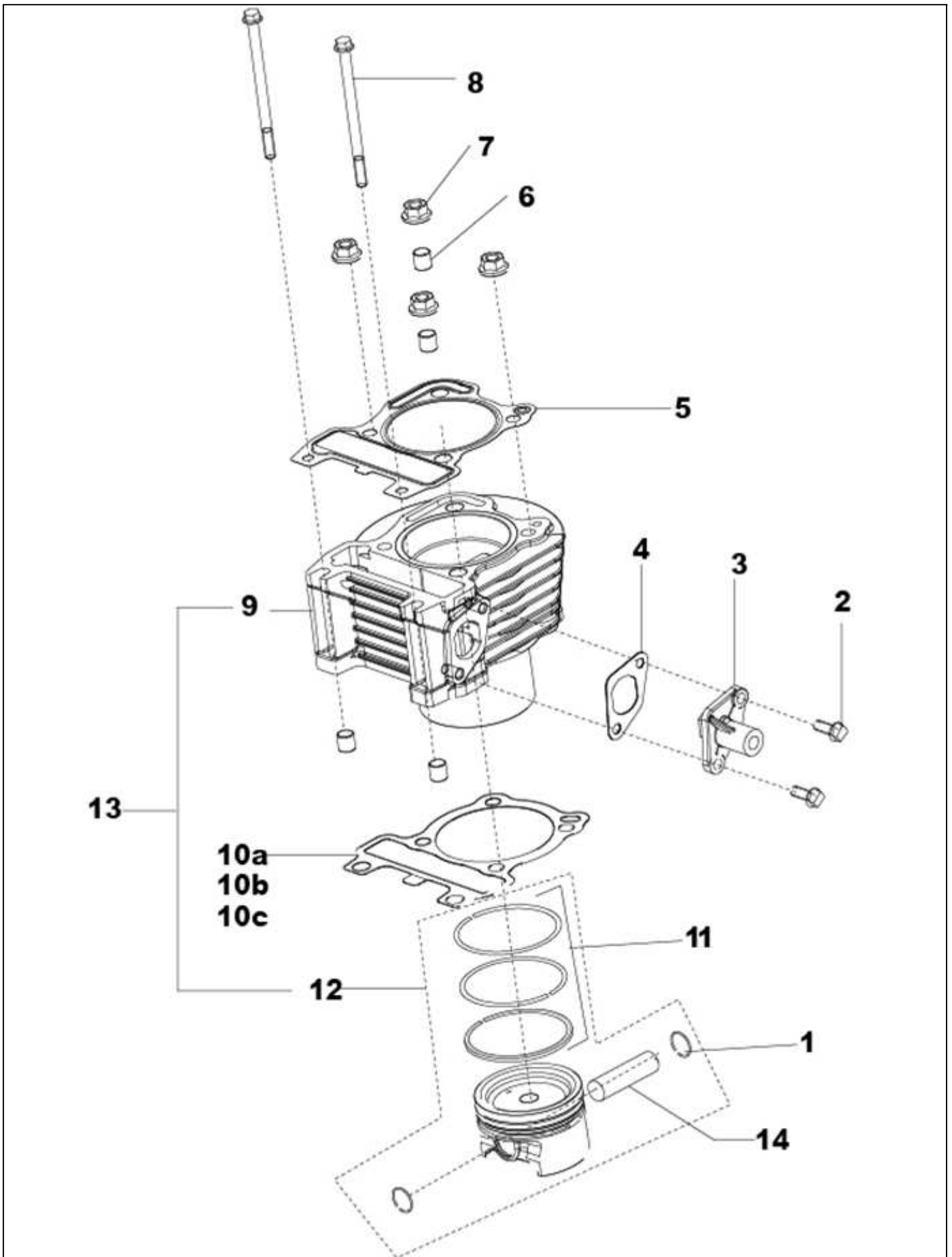
**PLATE-13**  
**Timing Group**



**PLATE-13****Timing Group**

<b>Fig. No.</b>	<b>Part No.</b>	<b>Description</b>	<b>Qty</b>	<b>Remarks</b>
1	B016774	FLANGED HEXAGONAL SCREW M6X25	1	
2	485868	SPACER FOR CHAIN TIGHTNING ROD	1	
3	B015017	TIMING PINION	1	
4	B014996	CHAIN TIGHTENING ROD	1	
5	B014997	FIXED PAD	1	
6	1A001114R	TIMING CHAIN	1	
7	SP1A005421	CENTRIFUGAL MASS WITH I.P	1	
7A	B014233	CENTRIFUGAL MASS WITH I.P.	1	
8	B018718	EXAG. SOCKET CYLIND.HEAD SCREW M5X14	2	
9	B015483	DECOMPRESSION SPRING	1	
10	B015043	CENTRIFUGAL MASS CONTAINMENT SHEET	1	
11	B015019	TIMING CROWN	1	
12	B018946	COUNTERSUNK SCREW M6X18	1	
13	B014760	CAMSHAFT CONTAINMENT SHEET-STEEL	1	
14	83041R	DEEP GROOVE BALL BEARING	1	
15	B017746	CAMSHAFT WITH I.P.	1	
16	83040R	DEEP GROOVE BALL BEARING	1	
17	B017323	VALVE ADJUSTMENT SCREW	3	
18	B017431	ROCKER ARM NUT	3	
19	83062R	ROCKER ARM GROUP	1	
20	B017113	ROCKER ARM SHAFT	2	
21	B018356	WASHER	1	

**PLATE-14**  
**Cylinder- Piston Group**

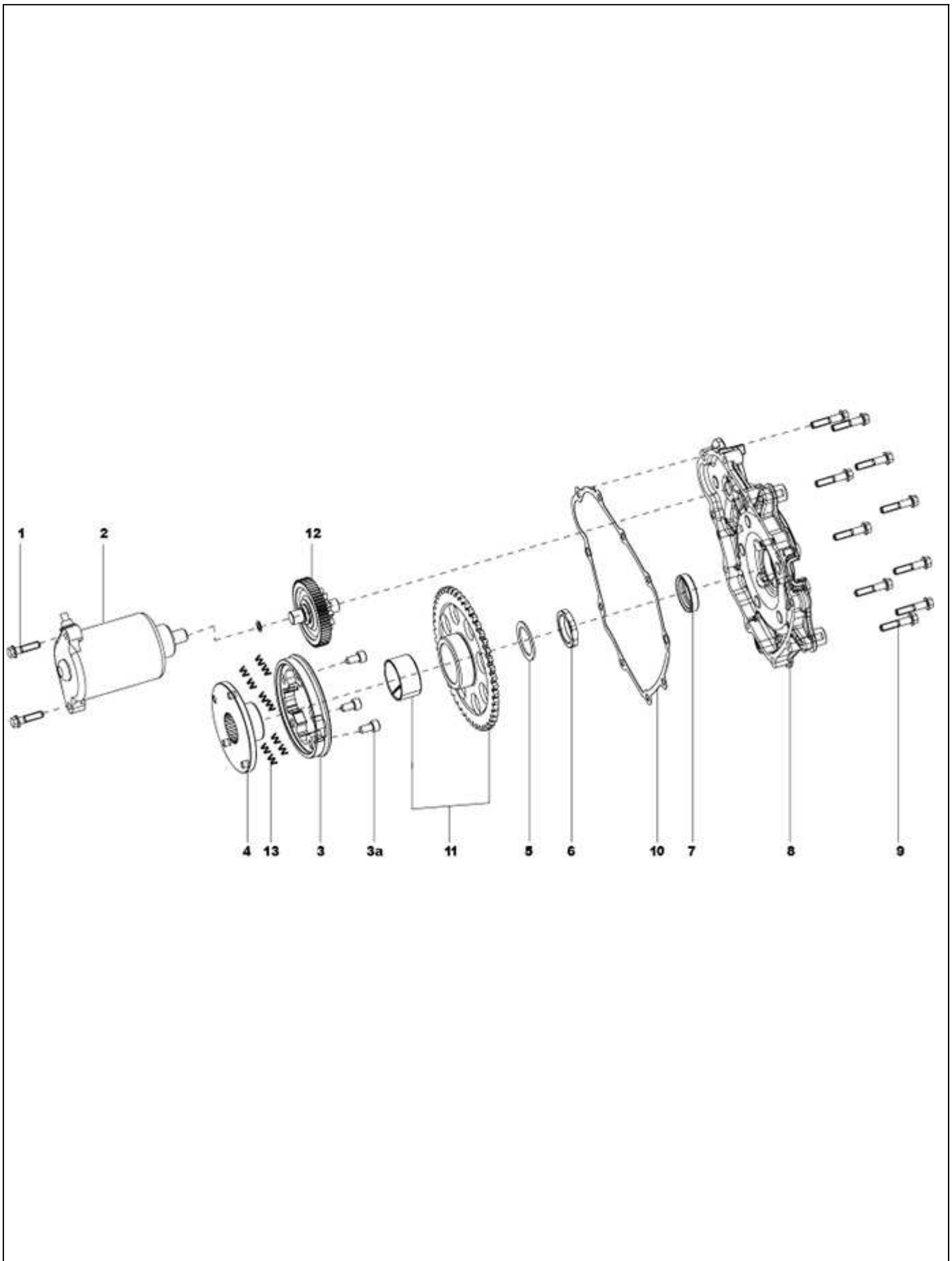




**PLATE-14****Cylinder- Piston Group**

<b>Fig. No.</b>	<b>Part No.</b>	<b>Description</b>	<b>Qty</b>	<b>Remarks</b>
1	963486	CIRCLIP FOR PISTON WRIST	2	
2	434541	SCREW	2	
3	B017165	CHAIN TENSIONER DEVICE	1	
4	847928	CHAIN SUPPORT GASKET	1	
5	B014555	HEAD CYLINDER GASKET	1	
6	435571	REFERENCE DOWEL	4	
7	B016939	FLANGED NUT M8X1.25	4	
8	B018854	HEXAGONAL HEAD FLANGED SCREW M6X90	2	
9	B019317	CYLINDER	1	
10a	CM166201	CRANKCASE/ CYLINDER GASKET 0.4 MM	1	
10b	CM166202	CRANKCASE/ CYLINDER GASKET 0.6 MM	1	
10c	CM166203	CRANKCASE/ CYLINDER GASKET 0.8 MM	1	
11	1U000023	RING SET	1	
12	1U000024	PISTON ASSLY	1	
13	1U000025	BARREL PISTON KIT	1	
14	482335	PISTON PIN	1	

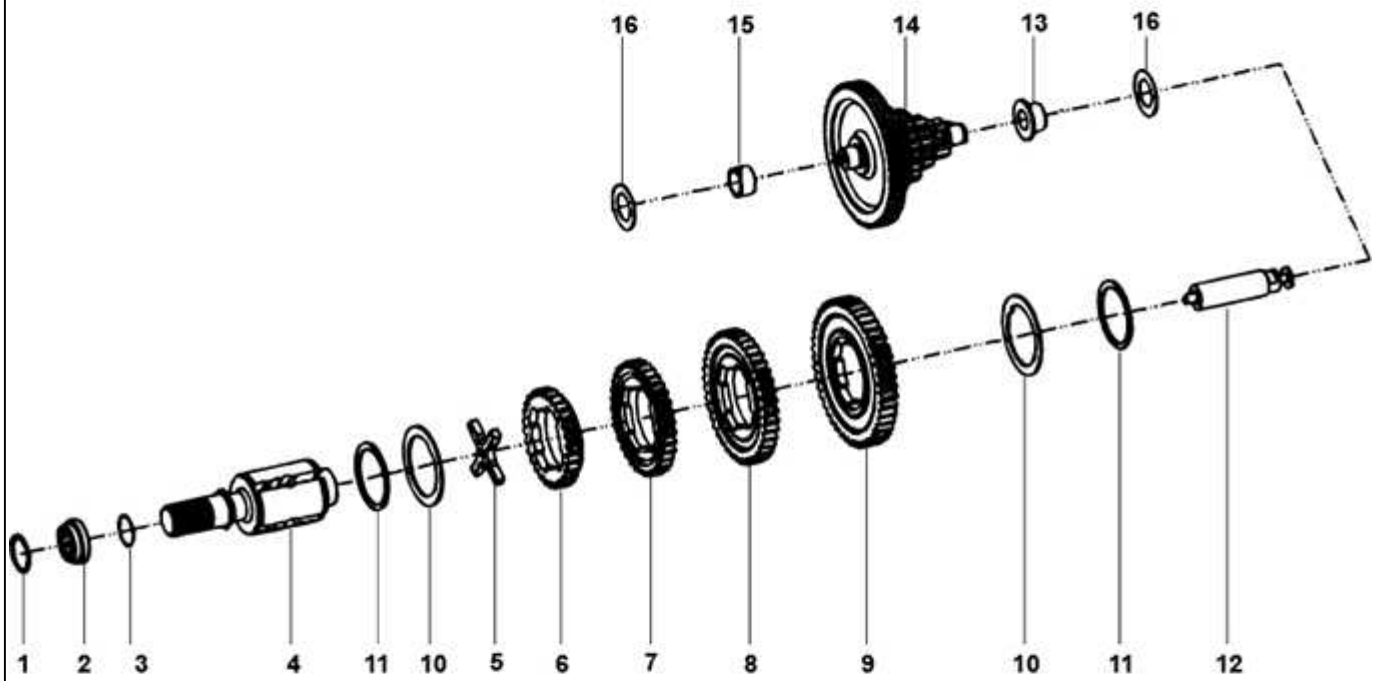
**PLATE-15**  
**Electric Starting Group**



**PLATE-15****Electric Starting Group**

<b>Fig. No.</b>	<b>Part No.</b>	<b>Description</b>	<b>Qty</b>	<b>Remarks</b>
1	018639	SCREW M6X20	2	
2	1D000425R	STARTER MOTOR	1	
3	1A010696R	ONE WAY CLUTCH	1	
3A	1A000402	SOCKET HEAD SCREW	3	
4	B019425	CAM CLUTCH HUB	1	
5	B016148	WASHER	1	
6	B016147	RING NUT	1	
7	B016120	SEAL RING 25X35X7	1	
8	B015888	STARTER COVER	1	
9	B018853	FLANGED HEXAGONAL HEAD SCREW M6X30	10	
10	B015942	STARTER COVER GASKET	1	
11	1A001187R	TOOTHED CROWN ELECTRIC STARTER	1	
12	B017189	ELECTRIC STARTER INTERMED GEAR WITH P.I.	1	
13	1A002661	PLANE SPRING - CLUTCH ASSY	5	

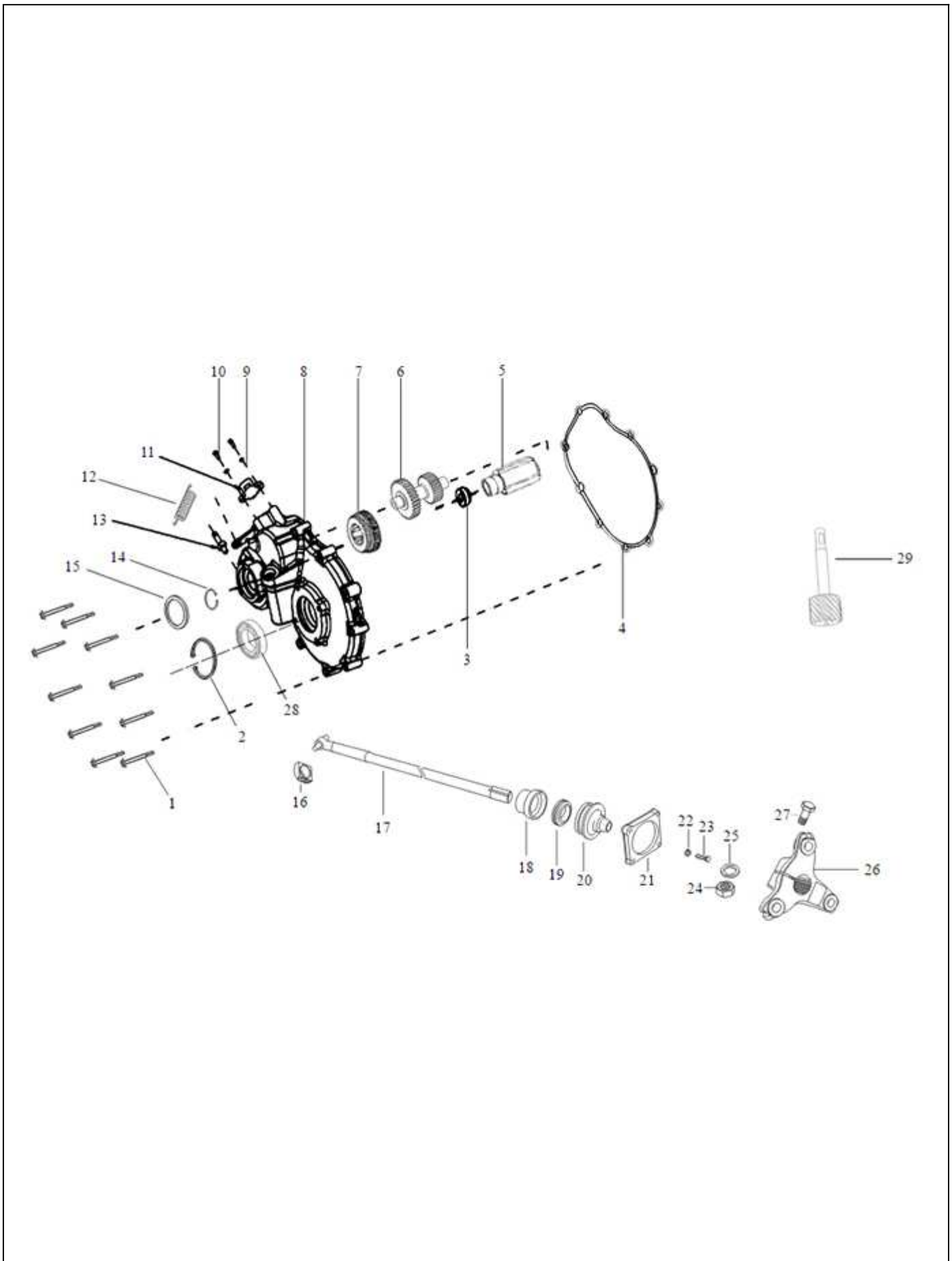
**PLATE-16**  
**Gear Group**



**PLATE-16****Gear Group**

<b>Fig. No.</b>	<b>Part No.</b>	<b>Description</b>	<b>Qty</b>	<b>Remarks</b>
1	B017177	SEAL RING	1	
2	B018472	SPACER	1	
3	B018473	O-RING	1	
4	B018471	SECONDARY GEAR SHAFT	1	
5	B003924	CROSS	1	
6	1A003606R	SPEED GEAR 4TH (NEW)	1	
7	1A003605R	SPEED GEAR 3RD (NEW)	1	
8	1A003604R	SPEED GEAR 2ND (NEW)	1	
9	1A003603R	SPEED GEAR 1ST (NEW)	1	
10	523012017	SHOULDER RING 1.7 MM THK	2	
11	842004808	CIRCLIP DIA.48 (EXT)	2	
12	1A007850	STEM	1	
13	B016205	INTERNAL RING (FLY WHEEL SIDE)	1	
14	1A003607R	CLUSTER GEAR (NEW)	1	
15	122032014	INNER RING - CLUSTER GEAR	1	
16	B016206	SHOULDER WASHER	2	

**PLATE-17**  
**Differential Gear Group**

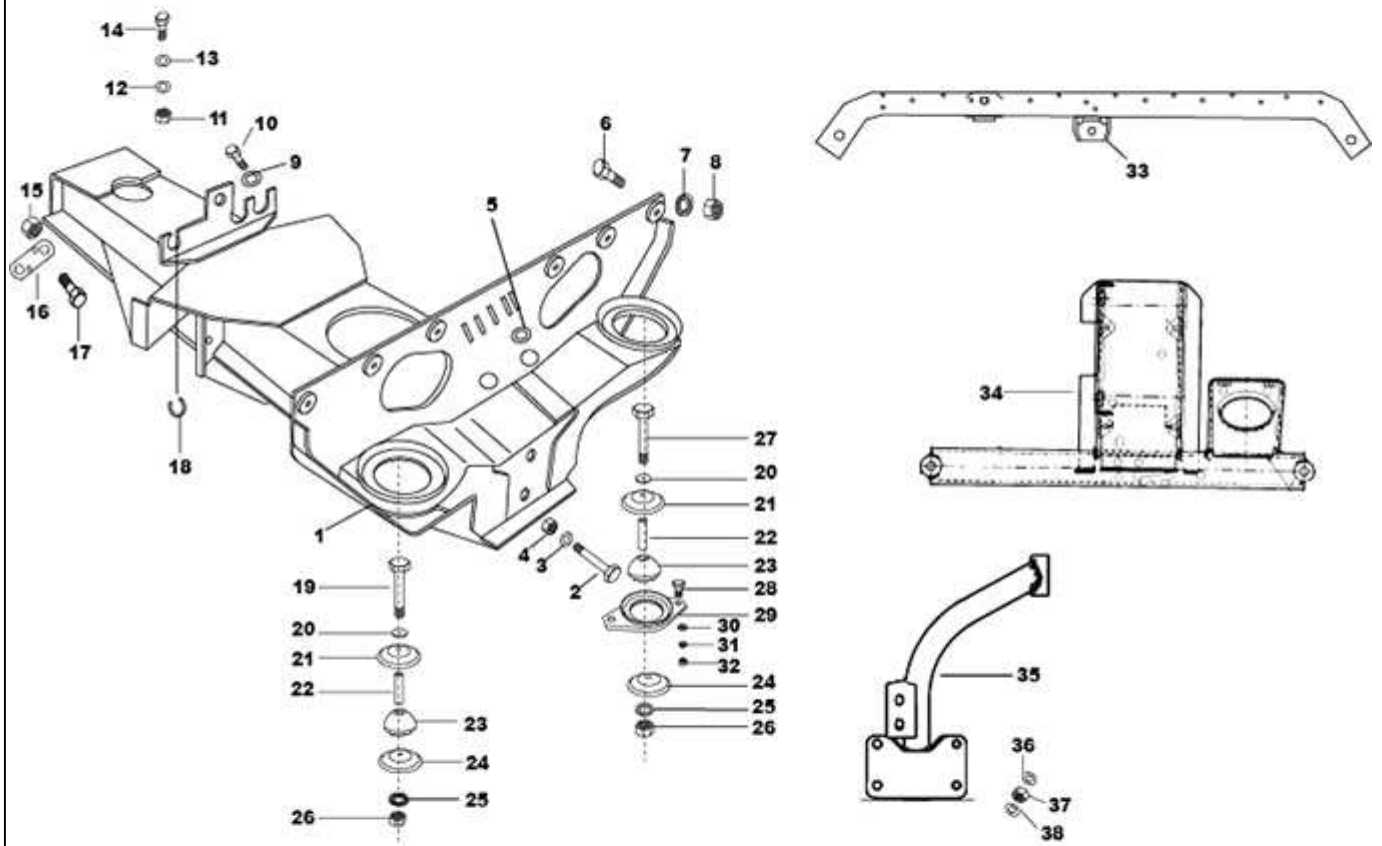


**PLATE-17****Differential Gear Group**

<b>Fig. No.</b>	<b>Part No.</b>	<b>Description</b>	<b>Qty</b>	<b>Remarks</b>
1	B016621	SCREW M8X50	10	
2	6450	EXT CIRCLIP DIA 48	1	
3	B018991	PLUG FOR FAREMETER	1	
4	B015875	DIFFERENTIAL COVER GASKET	1	
5	B018990	REVERSE SHAFT	1	
6	B017134	REVERSE GEAR - PETROL \ LPG	1	
6	B015817	REVERSE GEAR - CNG	1	
7	B017133	SLIDING GEAR - PETROL \ LPG	1	
7	B015816	SLIDING GEAR - CNG	1	
8	B016170	DIFF. GEAR COVER WITH I.P. LPG, PTL	1	
9	3054	PLAIN WASHER	2	
10	15996	PHIL RD HD SCREW M4X12	2	
11	567498R	BRAKE/REVERSE LIGHT SW (INTEGRAL CAP)-PAV	1	
12	127111011	REVERSE GEAR SPRING	1	
13	128307019	BOLT R.C. SPRING RETAINING	1	
14	842003000	CIRCLIP DIA. 30 (EXT.)	1	
15	1A000236	OIL SEAL	1	
16	112867R	SLIDER BLOCK PROP. SHAFT	4	
17	B023940	PROP. SHAFT S/A	2	
18	113278	BRACKET RETAINER RING (41736)	2	
19	183511	OIL RING	2	
20	198618	BELLOW	2	
21	111356	COVER	2	
22	16406	SPRING WASHER	8	
23	31092	HEX. HD SCREW M6X25	8	
24	231370	SELF BREAKING NUT M10	2	
25	16410	SPRING WASHER	2	
26	111498	ELASTIC HUB	2	
27	B024614	HEX HEAD BOLT M10X45 CL 10.9	2	
28	880255211	DEEP GROOVE BALL BEARING 25 X 52 X 15	1	
29	124102019	FARE METER GEAR	1	

# PLATE-18

## Engine Support

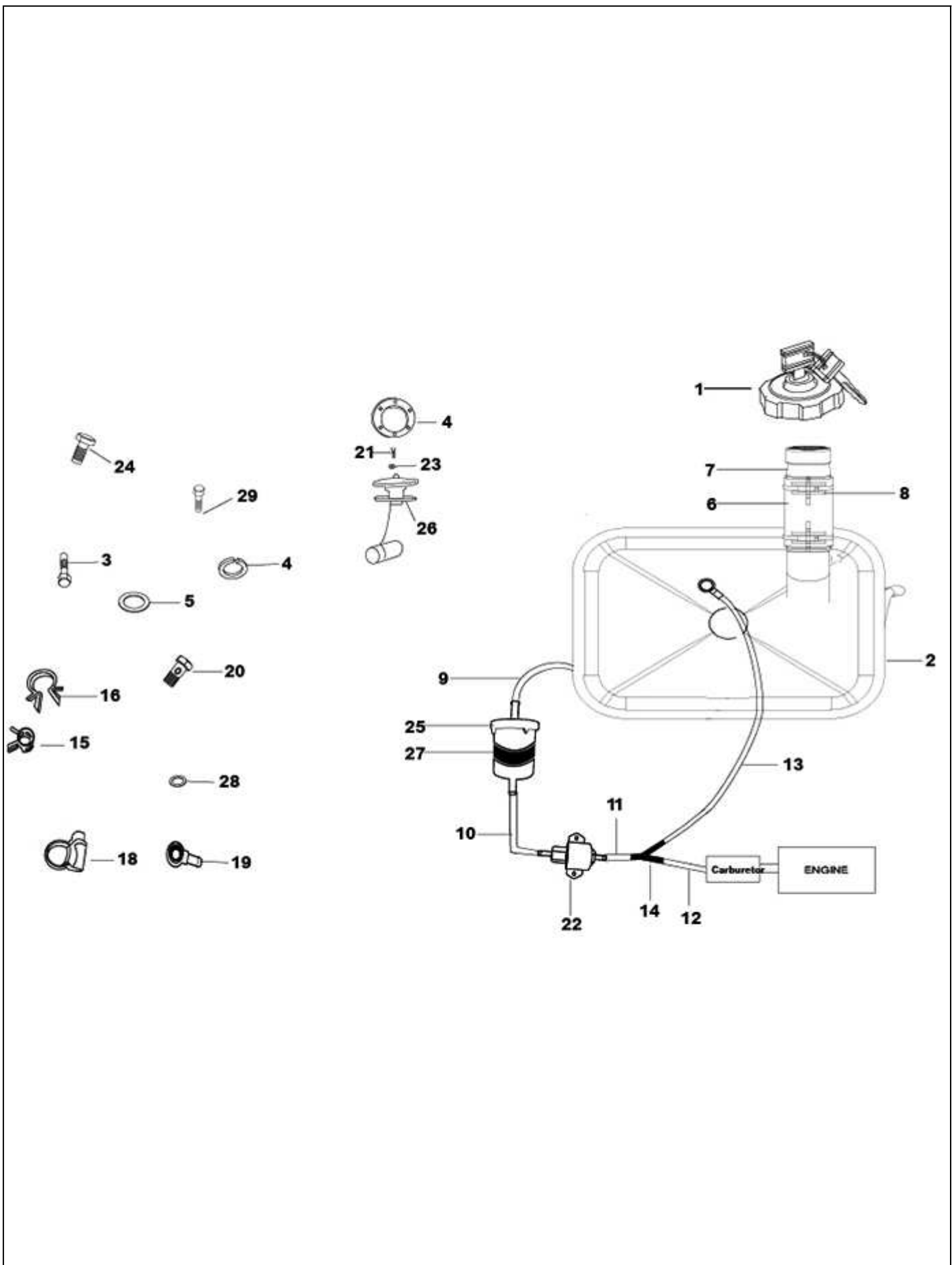




**PLATE-18****Engine Support**

Fig. No.	Part No.	Description	Qty	Remarks
1	B024838	FRAME ASSY. SUSPENSION & ENGINE SUPPORT	1	
2	632594	HEX HEAD BOLT M10X100	2	
3	286328	PLAIN WASHER 20X10.2X2	2	
4	231370	SELF BREAKING NUT M10	2	
5	15478	GROMMET4	2	
6	31119	HEX HD SCREW M8 X 25	6	
7	16408	SPRING WASHER M8	6	
8	20108	HEX NUT M8	6	
9	178610	GROMMET	1	
10	16406	SPRING WASHER	2	
11	20108	HEX NUT M8	2	
12	16408	SPRING WASHER M8	2	
13	2383	PLAIN WASHER M20X8.5X2	2	
14	B003855	SOCKET HEAD CAP SCREW M8	2	
15	231370	SELF BREAKING NUT M10	2	
16	108834	PLATE	2	
16	632299	PLATE	1	
17	632247	HEX HDD SCREW M10X30 CC8.8	2	
18	568140	GROMMET	1	
19	604948	HEX.HDD BOLT M8 X 110 WITH POINTING	2	
20	2383	PLAIN WASHER M20X8.5X2	3	
21	569375	PLATE	3	
22	267065	SPACER FRONT	2	
23	265091	DUMPER ENGINE MTG.	2	
24	569244	PLATE	3	
25	16408	SPRING WASHER M8	3	
26	15335	HEX HD NUT M8	2	
27	272178	HEX. HDD BOLT M8 X 122 CL 10.9	1	
28	31154	HEX HDD SCREW M10X22 CL 8.8	2	
29	B003286	REAR AVM SUPPORT BKT. ASSY.	1	
30	286328	PLAIN WASHER 20X10.2X2	2	
31	16410	SPRING WASHER	2	
32	20108	HEX NUT M8	4	
33	B008893	CROSS MEMBER ENGINE SUPPORT REAR	1	
34	B008921	FRT CROSS MEMBER ASSY. ENG. MTG.	1	
35	B008898	SUPPORT ARM ENGINE REAR SUB ASSY WITH IP	1	
36	286328	PLAIN WASHER 20X10.2X2	2	
37	20110	HEX NUT M10	4	
38	16410	SPRING WASHER	2	

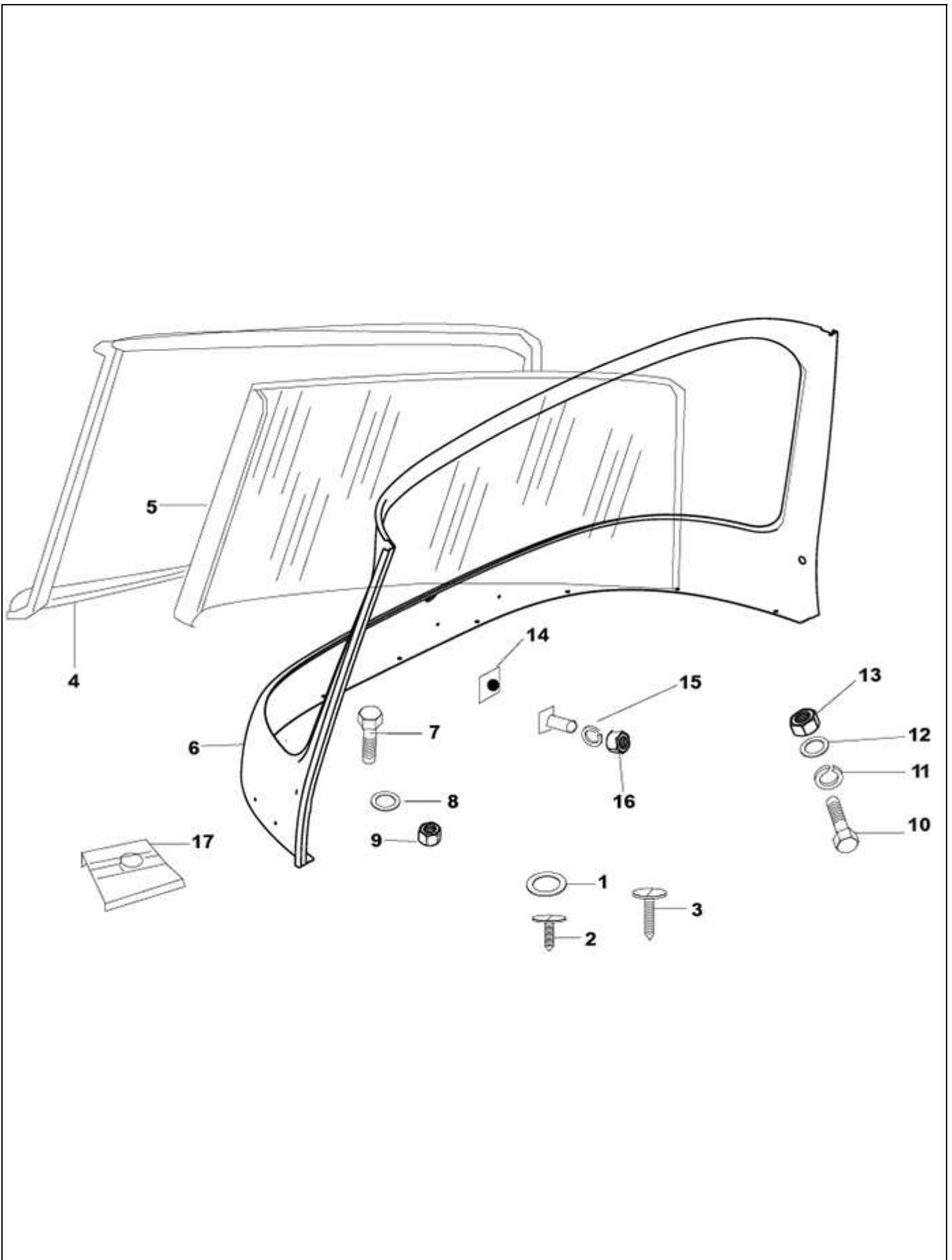
### PLATE-19 Fuel Tank/Filter/Fuel Pipes



**PLATE-19****Fuel Tank/Filter/Fuel Pipes**

<b>Fig. No.</b>	<b>Part No.</b>	<b>Description</b>	<b>Qty</b>	<b>Remarks</b>
1	B024168	P.T.CAP ASSLY WITH KEY	1	
2	B001430	FUEL TANK ASSY.	1	
2	B002278	FUEL TANK ASSY. COMPLETE (CNG/LPG)	1	
3	31088	HEX HD SCREW M6 X 16 CL 8.8 (811061623)	4	
4	925888	RUBBER GASKET FOR TANK UNIT	1	
5	13880	METALIC PLAIN WASHER	4	
6	B003114	HOSE FUEL TANK	1	
7	B003115	TUBE FUEL TANK FILLER ASSY	1	
8	604756	HOSE CLIP	2	
9	B009582	FUEL PIPE TANK TO FILTER	1	
10	B002625	FUEL PIPE FILTER TO FEED PUMP - CNG/LPG	1	
11	B002626	FEED PUMP TO 'Y' CONNECTOR - CNG/LPG	1	
12	B024892	Y CONT. TO CARBURETTOR - CNG/LPG	1	
13	B002628	Y CONNECTOR TO FUEL ANK RETURN - CNG/LPG	1	
14	644824	THREE WAY 'Y' CONNECTOR - CNG/LPG	1	
15	B003282	HOSE CLIP (DIA.7) (PETROL & CNG/LPG)	2	
16	B003929	FLY SPRING (CNG/LPG)	2	
17	632667	HOSE CLIP SIZE DIA 16 (OVER FLOW)	1	
18	109249	CLAMP	2	
19	604908	BANJO	1	
20	604909	BANJO BOLT (M14X1.5)	1	
21	31056	HEX HEAD SCREW M5 X 12 CL. 8.8	6	
22	B002630	ELECTRICAL FEED PUMP CNG/LPG	1	
23	16405	SPRING WASHER M5	6	
24	31088	HEX HD SCREW M6 X 16 CL 8.8 (811061623)	2	
25	616738R	FUEL FILTER	1	
26	567878R	TANK UNIT	1	
27	652105	RUBBER PACKING PRIMARY FUEL FILTER (PETROL & CNG/LPG)	1	
28	217280	SPRING WASHER M6 (PETROL & CNG/LPG)	4	
29	31088	HEX HD SCREW M6 X 16 CL 8.8 (811061623)	4	

**PLATE-20**  
**Wind Shield/Glass/Beading**

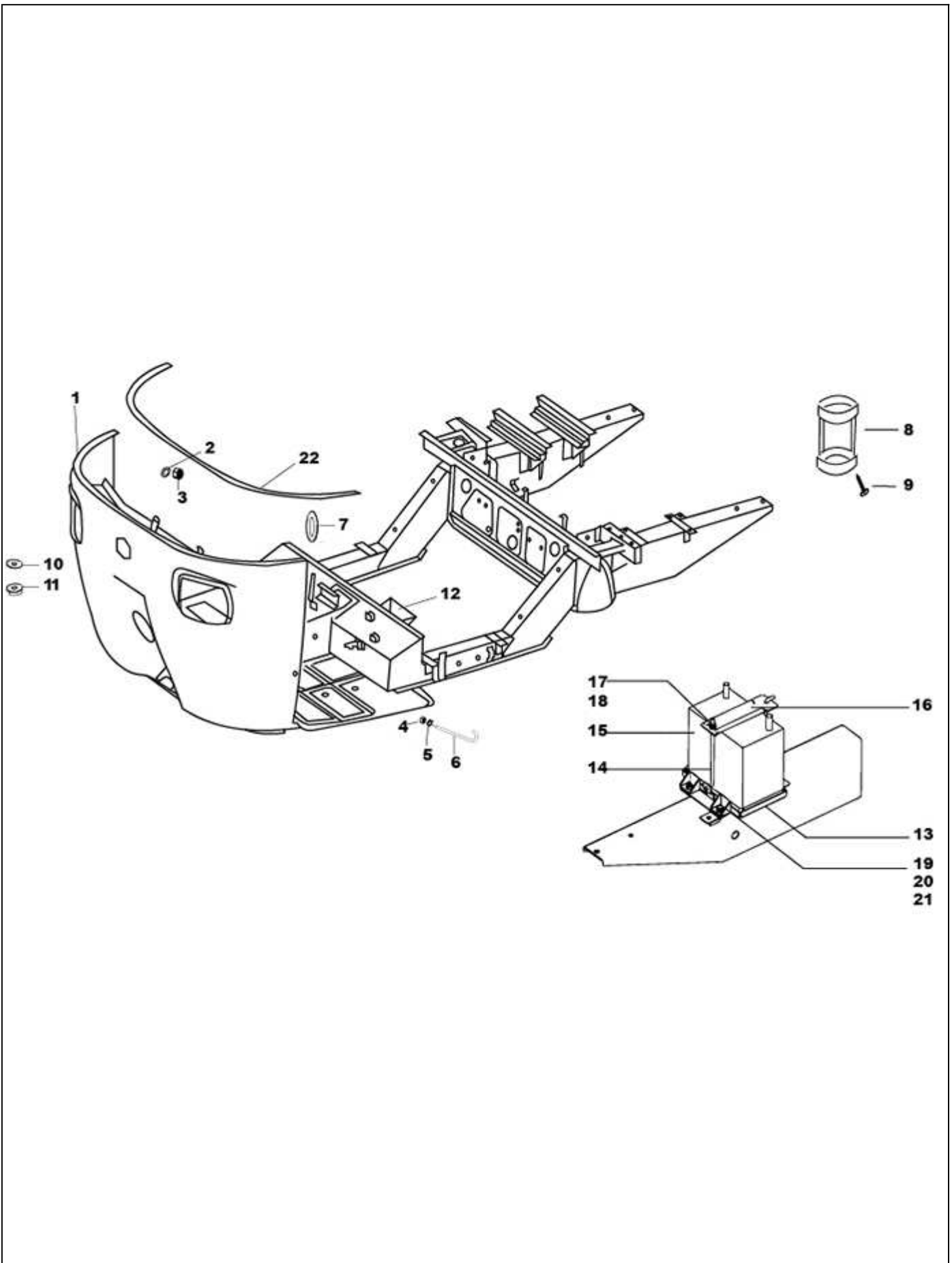


**PLATE-20****Wind Shield/Glass/Beading**

<b>Fig. No.</b>	<b>Part No.</b>	<b>Description</b>	<b>Qty</b>	<b>Remarks</b>
1	16670	PLAIN WASHER 12X4.5X1	2	
2	568692	PAN SELF TAP SCREW 6SG X 16AB	2	
3	18630	PAN SELF TAP SCREW 6SG X 25AB	2	
4	109012	WIND SHIELD PACKING	1	
5	587963	LAMINATED WINDSHIELD GLASS	1	
6	661445	WINDSCREEN FRAME	1	
7	B001386	HEX HEAD SCREW M5X20	9	
8	16405	SPRING WASHER M5	16	
9	20105	HEX NUT M5	20	
10	30242	SLOT CH. HD. SCREW	4	
11	808000826	PLAIN WASHER M8	2	
12	16408	SPRING WASHER M8	2	
13	20108	HEX NUT M8	2	
14	190462	PLATE ASSY.	5	
15	3054	PLAIN WASHER	5	
16	20104	HEX NUT M4	5	
17	B024855	TERMINAL	2	

**PLATE-21**

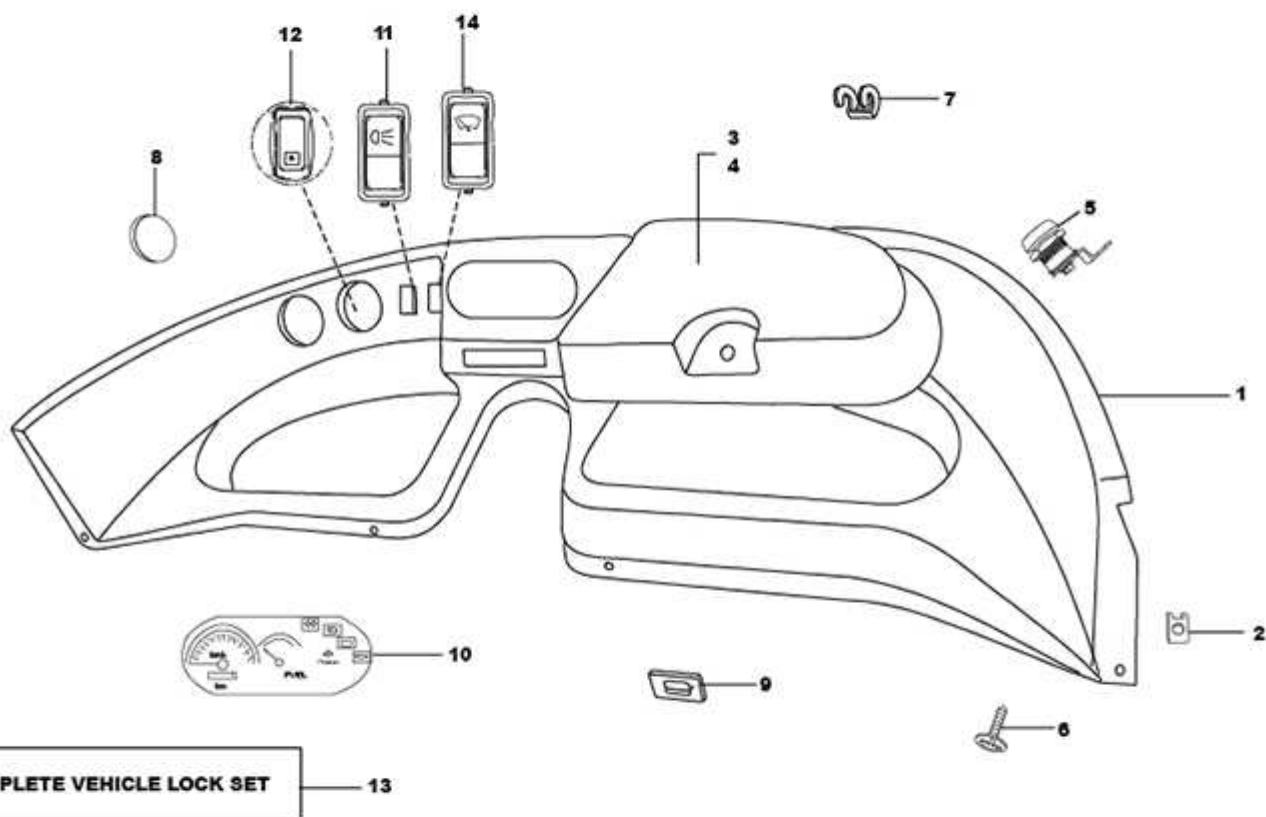
**Main Frame/Driver Seat/Battery Bkt//Nose/Fr. Mud/Mud Flap**



**PLATE-21****Main Frame/Driver Seat/Battery Bkt//Nose/Fr. Mud/Mud Flap**

<b>Fig. No.</b>	<b>Part No.</b>	<b>Description</b>	<b>Qty</b>	<b>Remarks</b>
1	B024637GY	MAIN FRAME ASSY. WITH IP (PETROL) - GY	1	
1	B024637BY	MAIN FRAME ASSY. WITH IP (PETROL) - BY	1	
1	B024790EG	MAIN FRAME ASSY. WITH IP (LPG) - EG	1	
1	B024790GY	MAIN FRAME ASSY. WITH IP (LPG) - GY	1	
1	B024790BY	MAIN FRAME ASSY. WITH IP (LPG) - BY	1	
1	B024787EG	MAIN FRAME ASSY. WITH IP (CNG) - EG	1	
1	B024787GY	MAIN FRAME ASSY. WITH IP (CNG) - GY	1	
1	B024787BY	MAIN FRAME ASSY. WITH IP (CNG) - BY	1	
2	3054	PLAIN WASHER	5	
3	20104	HEX NUT M4	5	
4	20108	HEX NUT M8	1	
5	3058	PLAIN WASHER 15X8.4X1.5	1	
6	604954	TENSION ROD	1	
7	B002412	GROMMET WIRING HAND BRAKE	1	
8	B041392	BOTTLE CARRIER STAND	1	
9	660168	PAN SELF TP. SCREW 10 SGX13AB	2	
10	B002539	GROMMET FOR DIA 7 HOLE ON DOME	2	
11	604756	HOSE CLIP	2	
12	B042517	AIR DEFLECTOR	1	
13	616649	BATTERY TRAY	1	
14	632508	TENSION ROD ASSY. (BATTERY MOUNTING.)	1	
15	652253R	BATTERY 12V-35AH	1	
16	B003978	BATTERY HOLDING PLATE	1	
17	20108	HEX NUT M8	1	
18	3058	PLAIN WASHER 15X8.4X1.5	1	
19	16408	SPRING WASHER M8	1	
20	13861	PLAIN WASHER 20X8.2X2.5	4	
21	31118	SCREW M8X20	4	
22	B024645	RIM COVERAGE JOINT	1	

**PLATE-22**  
**Inner Parts Of Cabin**



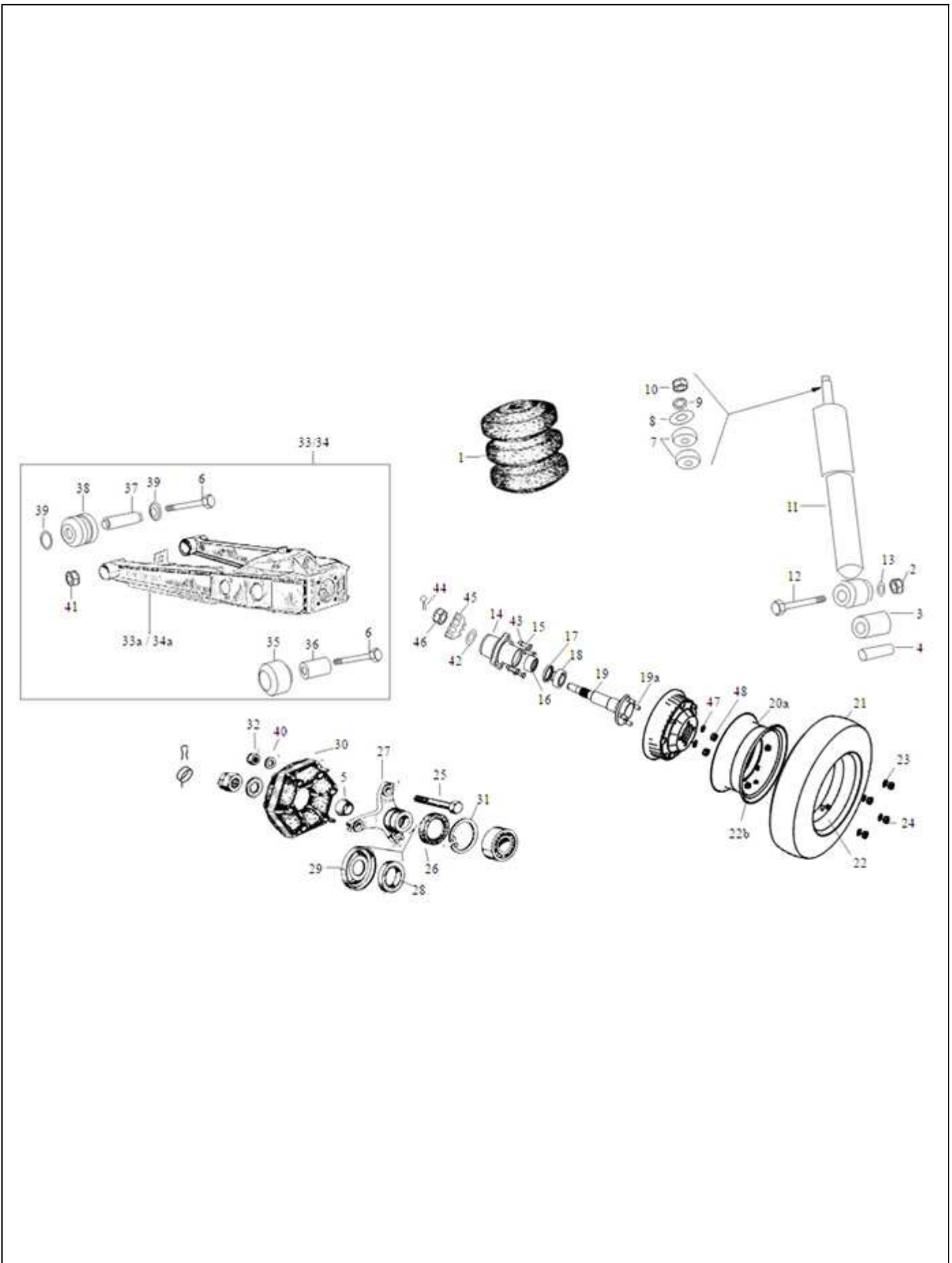


**PLATE-22****Inner Parts Of Cabin**

<b>Fig. No.</b>	<b>Part No.</b>	<b>Description</b>	<b>Qty</b>	<b>Remarks</b>
1	660322	DASH BOARD OBJECT & INSTRUMENT HOLDER (VE)	1	
1	B041523	DASHBOARD ASSLY PAX 200CC CNG/LPG -FOR NEUTRAL SWITCH	1	
1	B041536	DASHBOARD ASSLY PAX 200CC PETROL-FOR NEUTRAL SWITCH	1	
2	8080	SPRING PLATE	4	
3	604548	GLOVE BOX COVER	1	
4	568671	GASKET - GLOW BOX COVER (N.I.)	4	
5	B024169	GLOVE BOX LOCK WITH KEY	1	
6	660168	PAN SELF TP. SCREW 10 SGX13AB	4	
7	605389	HINGE	1	
8	604984	CAP DASH BOARD	2	
9	643691	BOLT LOCK PLATE	1	
10	B001481R	INSTR. CLUSTER (PETROL)	1	
10	B002209R	INSTR. CLUSTER (CNG/LPG)	1	
10	B073221	INSTR. CLUSTER (PETROL)-FOR NEUTRAL SWITCH	1	
10	B073222	INSTR. CLUSTER (CNG/LPG)-FOR NEUTRAL SWITCH	1	
11	587670R	SWITCH 3 POSITION	1	
12	660826R	HAZARD WARNING SWITCH WITH CROWN CAP (12V)(VE)	1	
13	B024683	LOCK SET	1	
13	B024684	COMPLETE LOCK SET - PETROL	1	
13	B042082	COMPLETE LOCK SET - LPG (MONOFUEL)	1	
14	587974R	WIPER MOTOR SWITCH/ SWITCH WIPER MOTOR	1	



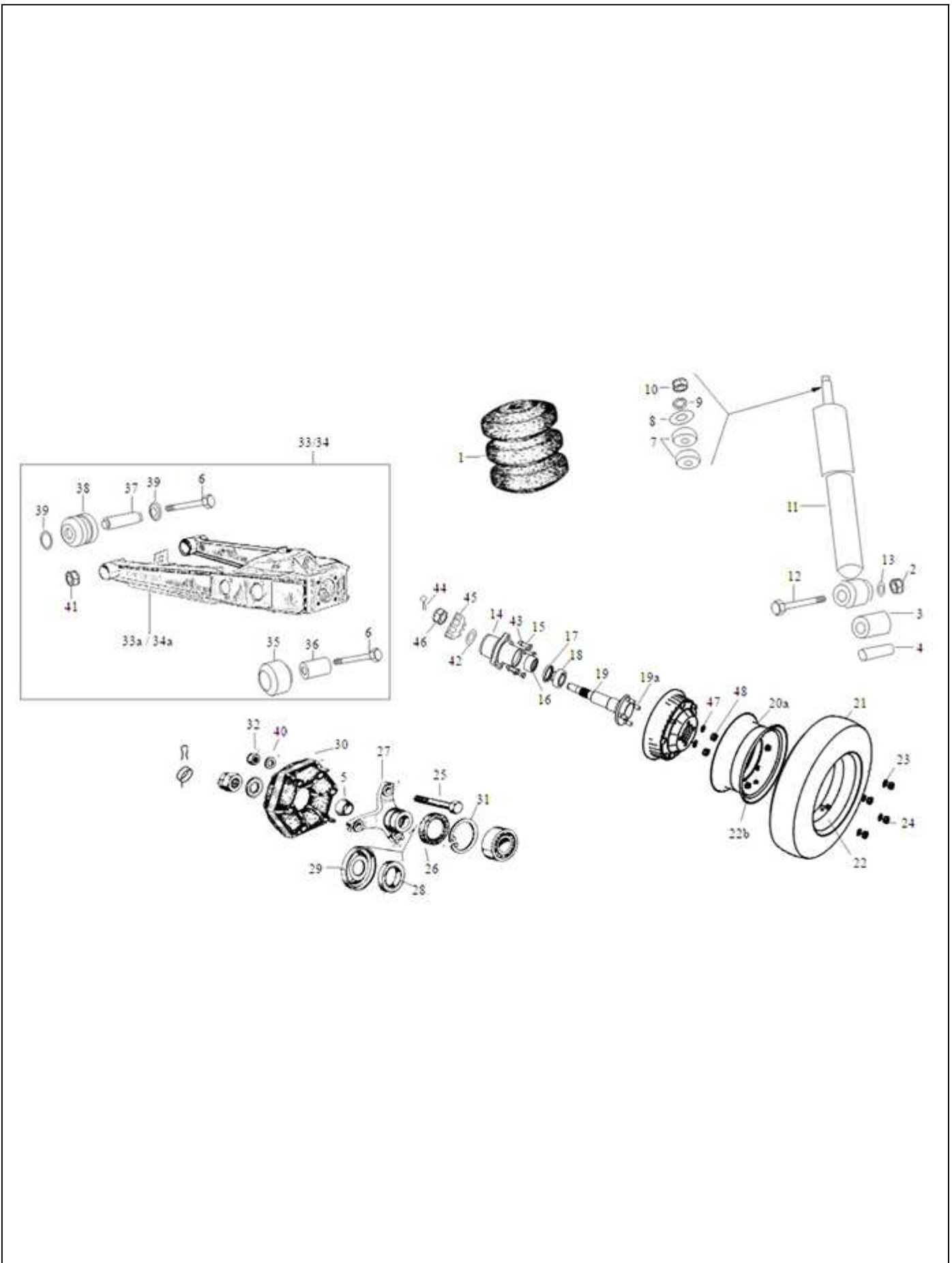
**PLATE-23**  
**Rear Suspension**



**PLATE-23****Rear Suspension**

Fig. No.	Part No.	Description	Qty	Remarks
1	B002470	RUBBER BUMPER	2	
2	231370	SELF BREAKING NUT M10	2	
3	157103	BUSH - SHOCK ABSORBER	2	
4	107827	SPACER	1	
5	128633	CONE	1	
6	643741	HEX HDD BOLT M10 X 80 CL 12.9	4	
7	157103	BUSH - SHOCK ABSORBER	4	
8	6066	PL WASHER 10.5X38X9	2	
9	16410	SPRING WASHER	2	
10	20110	HEX NUT M10	2	
11	136451	SHOCK ABSORBER REAR	2	
12	267068	HEX HEAD BOLT M10 X 60 CC 10.9	2	
13	286328	PLAIN WASHER 20X10.2X2	2	
14	B002344	REAR WHEEL HUB	2	
15	B002486	BOLT M8 X 35 6G CL 12.9	8	
16	128486	NEEDLE BEARING REAR WHEEL HUB (ROLLER CAGE)	2	
17	20359	SEAL RING	2	
18	243303R	DEEP GROVE BALL BRG-RR WH AXLE	2	
19	B024374	REAR AXLE COMPLETE (APE CITY)	2	
19a	B001319	BOLT FOR AXLE	4	
20a	661570P	WHEEL RIM INNER	1	
20b	661571P	WHEEL RIM OUTER	1	
21	B001317	TYRE & TUBE ASSEMBLY	4	
22	B001316	INNER TUBE FOR TYRE 4.0 X 8 INCH	4	
23	16408	SPRING WASHER M8	12	
24	20108	HEX NUT M8	12	
25	15594	HEX HDD BOLT M10 X 35	12	
26	196302	OIL SEAL	2	
27	587617	ELASTIC JOINT CONNECTION HUB (WHL - SIDE)	2	
28	661267	RING	2	
29	109892	PROTECTION CUP RR HUB	2	
30	604535	FLEXIBLE COUPLING	2	
31	6650	CIRCLIP DIA 50 (INT)	2	
32	231370	SELF BREAKING NUT M10	12	
33	B009603	ARM ASSLY LH SUSPENSION WITH BUSH-PAX	1	
33a	B002481	ARM SUB ASSY. RH - REAR SUSPENSION	1	
34	B009605	ARM ASSLY RH SUSPENSION WITH BUSH-PAX	1	
34a	B002482	ARM SUB ASSY. LH - REAR SUSPENSION	1	
35	226662	RING FOR ELASTIC SUPPORT	2	
36	226661	INTERNAL BUSH	2	
37	267065	SPACER FRONT	2	
38	226596	BUSH FRONT RING FOR ELASTIC SUPPORT	2	

**PLATE-23**  
**Rear Suspension**

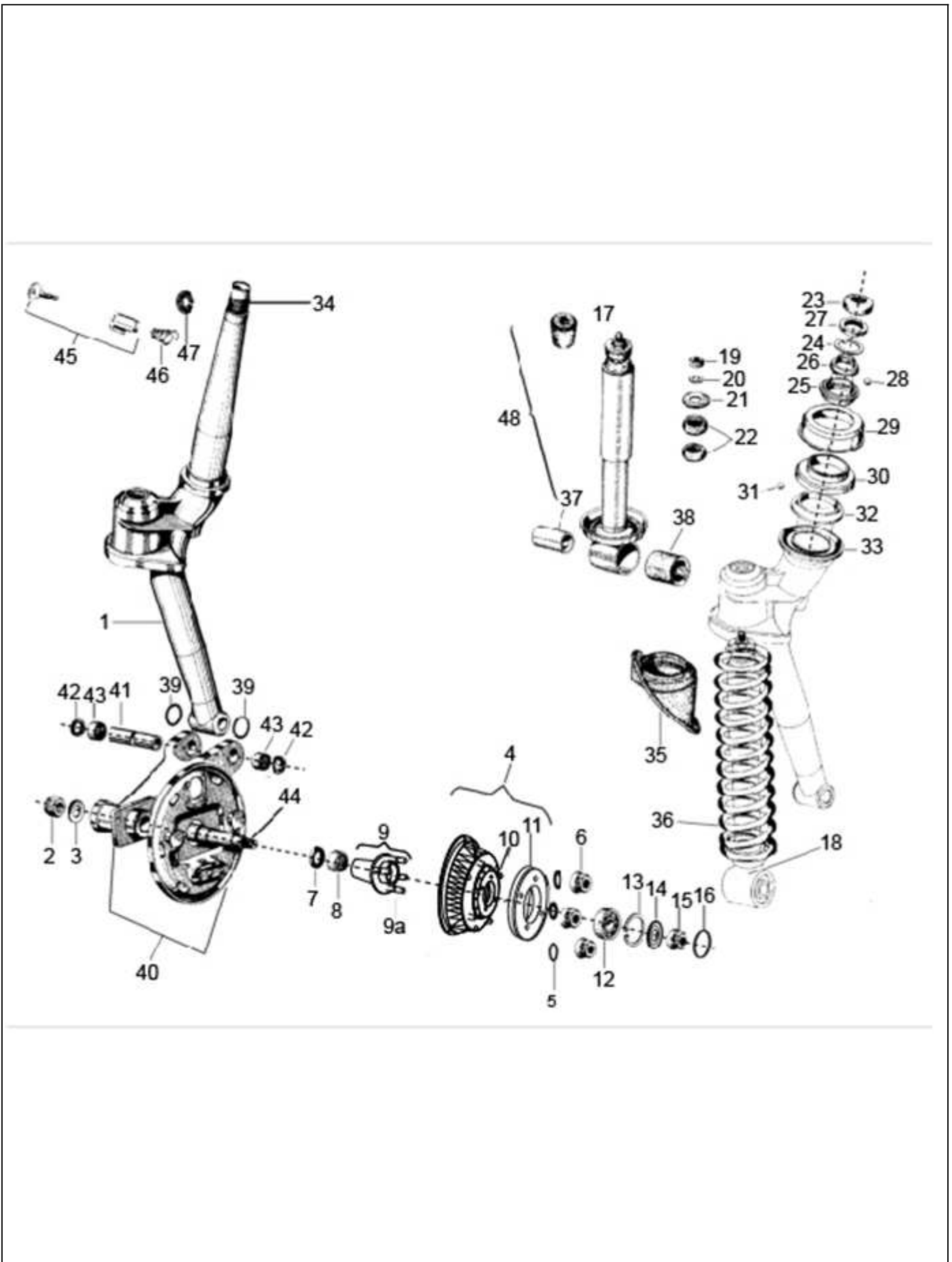


**PLATE-23****Rear Suspension**

<b>Fig. No.</b>	<b>Part No.</b>	<b>Description</b>	<b>Qty</b>	<b>Remarks</b>
39	661266	SHOULDER WASHER	4	
40	237246	SHIM WASHER 20X10.2X1	12	
41	231370	SELF BREAKING NUT M10	4	
42	3068	PLAIN WASHER	1	
43	16408	SPRING WASHER M8	8	
44	12790	SPLIT PIN	2	
45	177559	CAP	2	
46	21118	HEX NUT M18 X 1.5P	2	
47	16410	SPRING WASHER	8	
48	20110	HEX NUT M10	8	

**PLATE-24**

**Steering Column And Front Suspension**



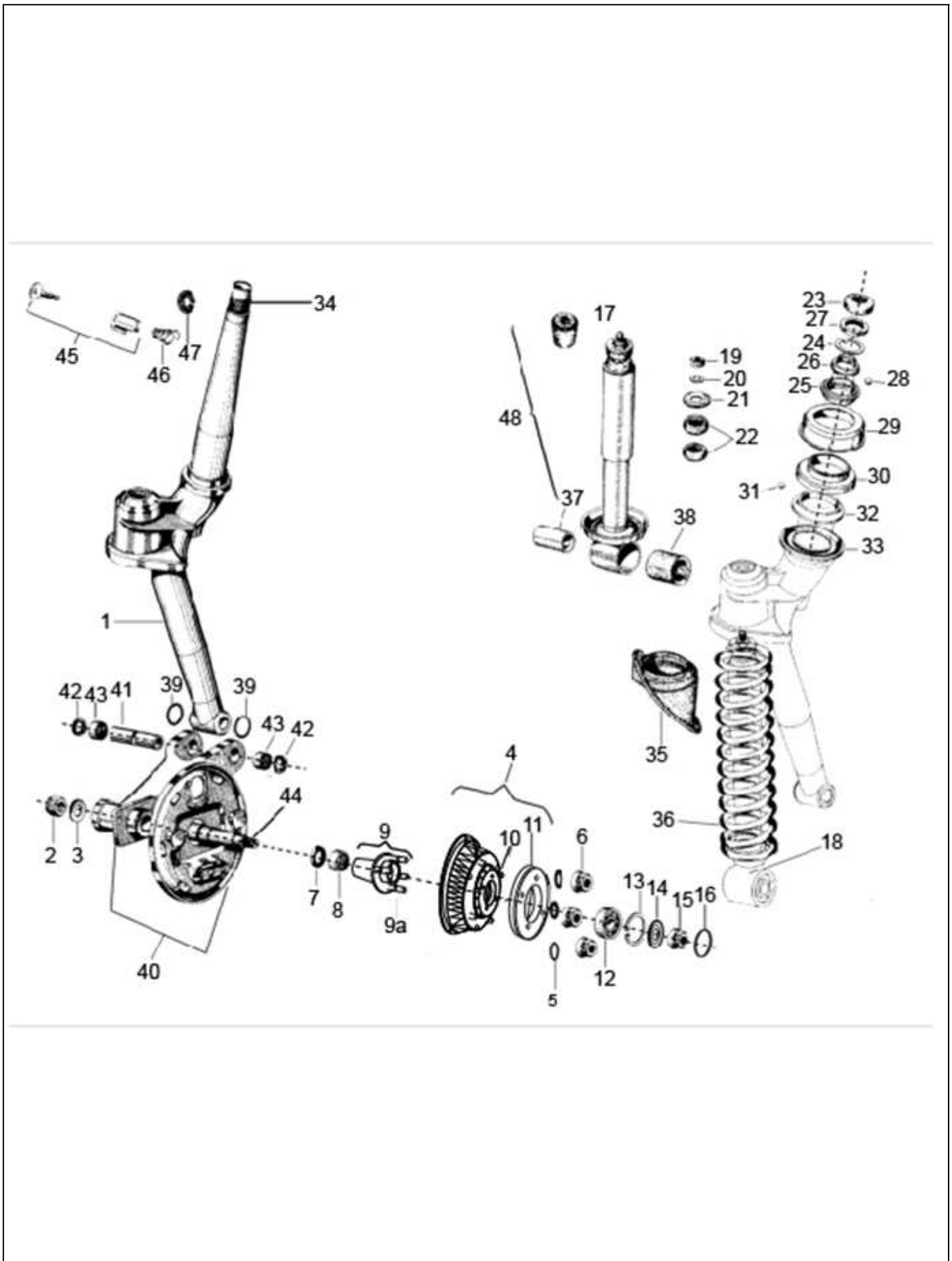
**PLATE-24****Steering Column And Front Suspension**

Fig. No.	Part No.	Description	Qty	Remarks
1	B008177	STEERING COLUMN COMP. WITH SUSP. ARM	1	
1	B008116	STEERING COLUMN WITH IP	1	
1	B075682	STEERING COLUMN TUBE WITH I.P.	1	New
2	568095	NYLOCK NUT	1	
3	87067	PLAIN WASHER 30.5X14.3X2	1	
4	B042438	BRAKE DRUM ASSY. COMPLETE	1	
5	16410	SPRING WASHER	4	
6	20110	HEX NUT M10	4	
7	136434	OIL SEAL	1	
8	125289	NEEDLE BEARING, CRANKASE, FRONT WHEEL	1	
9	B001302	FRONT HUB ASSLY.	1	
9A	B001301	BOLT FRONT HUB.	4	
10	B001323	STUD M10 - BRAKE DRUM	4	
11	B041181	SPACER DISC FRONT WHEEL MTG (ALUMIN)	1	
12	30209R	BALL BEARING FRONT WHEEL HUB	1	
13	567473	CIRCLIP DIA. 42 INT. (841004203)	1	
14	180431	COIN WASHER	1	
15	74521	NUT M14 X 1.5	1	
16	107871	CAP	1	
17	75708	SILENT BLOCK	1	
18	B008117	FRONT SHOCK ABSORBER	1	
19	21110	HEX UT M10 X 1.25 P ASSY.	1	
20	16410	SPRING WASHER	10	
21	6066	PL WASHER 10.5X38X9	1	
22	74414	RUBBER BUSH/BUFFER FOR COUPLING SHOCK ABSORBE	2	
23	604758	PROTECTION	1	
24	108873	STOP WASHER FOR HOLDING	1	
25	567990	BEARING RACE UPPER BOTTOM	1	
26	567991	BEARING RACE UPPER TOP	1	
27	108874	SECURING RING NUT	1	
28	662423	SOLID OIL BALL CAGE (UPPER) 7105	1	
29	109064	DUST COVER	1	
30	567992	BEARING RACE LOWER TOP	1	
31	662422	SOLID OIL BALL CAGE (LOWER) 7104	1	
32	567993	BEARING RACE LOWER BOTTOM	1	
33	109066	WASHER WITH PROTECTION FOR BEARING	1	
34	604759	RUBBER CAP STEERING COLUMN (N.I.)	4	
35	109265	SPLASH GUARD DUST COVER	1	
36	B073380	SPRING	1	
37	109117	RUBBER BUSH (FRT SHOCK ABSORBER) / RING	1	
38	566545	RUBBER BUSH (FRT SHOCK ABSORBER) - MODIFIED	1	
39	6733	O RING	2	



**PLATE-24**

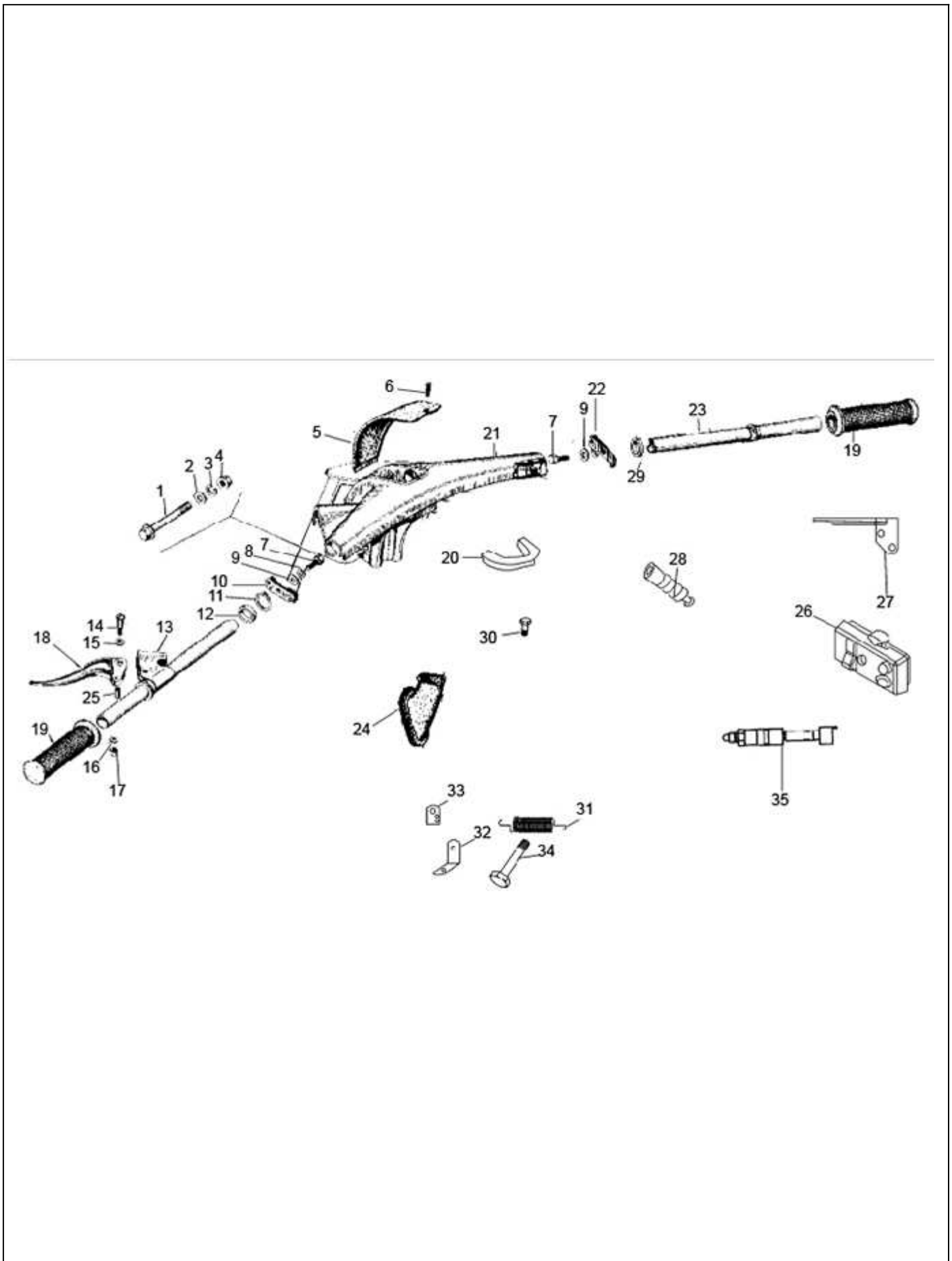
**Steering Column And Front Suspension**



**PLATE-24****Steering Column And Front Suspension**

<b>Fig. No.</b>	<b>Part No.</b>	<b>Description</b>	<b>Qty</b>	<b>Remarks</b>
40	B024113	FRONT BRAKE ASSY.	1	
41	137235	STEERING PIN	1	
42	8771	OIL SEAL (18-24-4)	2	
43	107718	ROLLER BUSH	2	
44	643772R	FRONT WHEEL AXLE	1	
45	661230	STEERING LOCK	1	
46	569150	SPRING; STEERING LOCK (MODIFIED)	1	
47	661231	CIRCLIP STEERING LOCK DIA 16 (INT)	1	
48	B073381	SHOCK ABSORBER W/O SPRING	1	

**PLATE-25**  
**Handle Bar And Control**

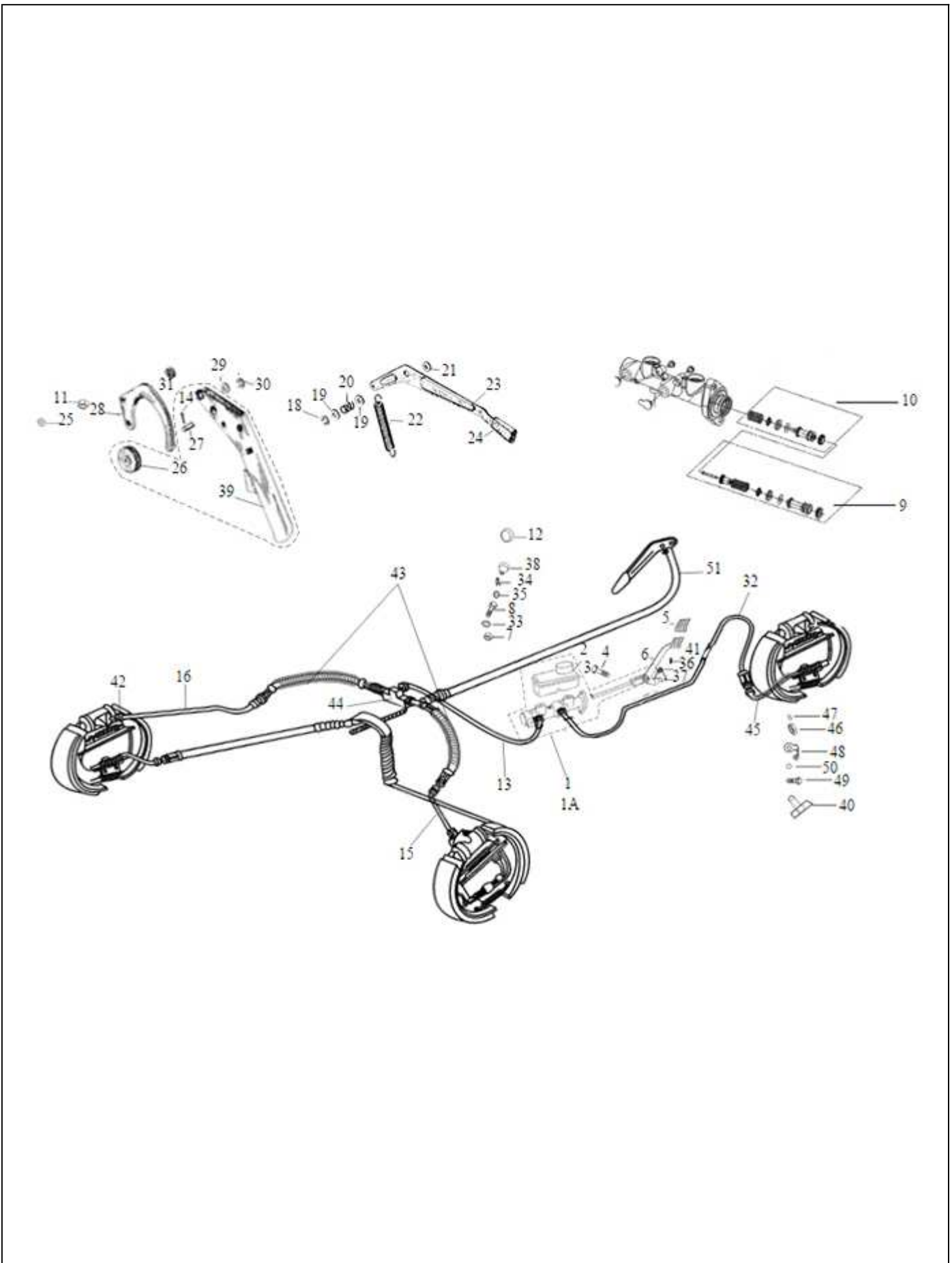


**PLATE-25****Handle Bar And Control**

Fig. No.	Part No.	Description	Qty	Remarks
1	30103	HANDLE SECURING BOLT M10 X 70 CL 8.8	1	
2	16626	PLAIN WASHER (18X10.5X2)	2	
3	16410	SPRING WASHER	1	
4	21110	HEX UT M10 X 1.25 P ASSY.	1	
5	604543	COVER	1	
6	632158	CSK HEAD SCREW	1	
7	31089	HEX HEAD SCREW M6X18 CL 8.8	2	
8	16406	SPRING WASHER	2	
9	3055	RAW WASHER(808000527)	2	
10	109775	GEAR CONTROL LEVER S/A	1	
11	60565	SPRING WASHER	1	
12	109404	WASHER OF RABBET(41737)	1	
13	B024579	CHANGE CENTRAL TUBE WITH I.P.	1	
14	15618	SLT PAN HD SCREW	1	
15	16319	BENT SPRING WASHER	1	
16	16620	PLAIN WASHER	1	
17	12138	NYLOCK NUT M6	1	
18	B024581	CLUTCH CENTRAL LEVER	1	
19	141925	HANDLE	2	
20	126902	PROTECTION COLLAR CABLE	1	
21	B002823	HANDLE ('T' TYPE)	1	
22	109635	THROTTLE CONTROL LEVER WITH IP	1	
23	587902	ACCELERATOR TUBE ASSY.	1	
24	109227	PROTECTION GROMMET	1	
25	125181	SPACER	1	
26	B024477	HANDLE BAR SWITCH (WITH STARTER BUTTON)	1	
27	B024580	SWITCH SUPPORT BKT	1	
28	118806	PROTECTION BELLOW	2	
29	587904	SINTERED WASHER HANDLE BAR (41769)	1	
30	31054	HEX HD. SCREW M5X10 CL8.8	1	
31	B006853	SPRING HANDLE BAR	1	
32	B006851	BRACKET	1	
33	B006852	BKT. SPRING MTG. HANDLE BAR	1	
34	30104	MOUNTING BOLT M10 X 75	1	
35	B024577	CLUTCH SWITCH	1	

**PLATE-26**

**Brake - Tandem Master Cylinder ,Brake Pipe And Hand Brakes**

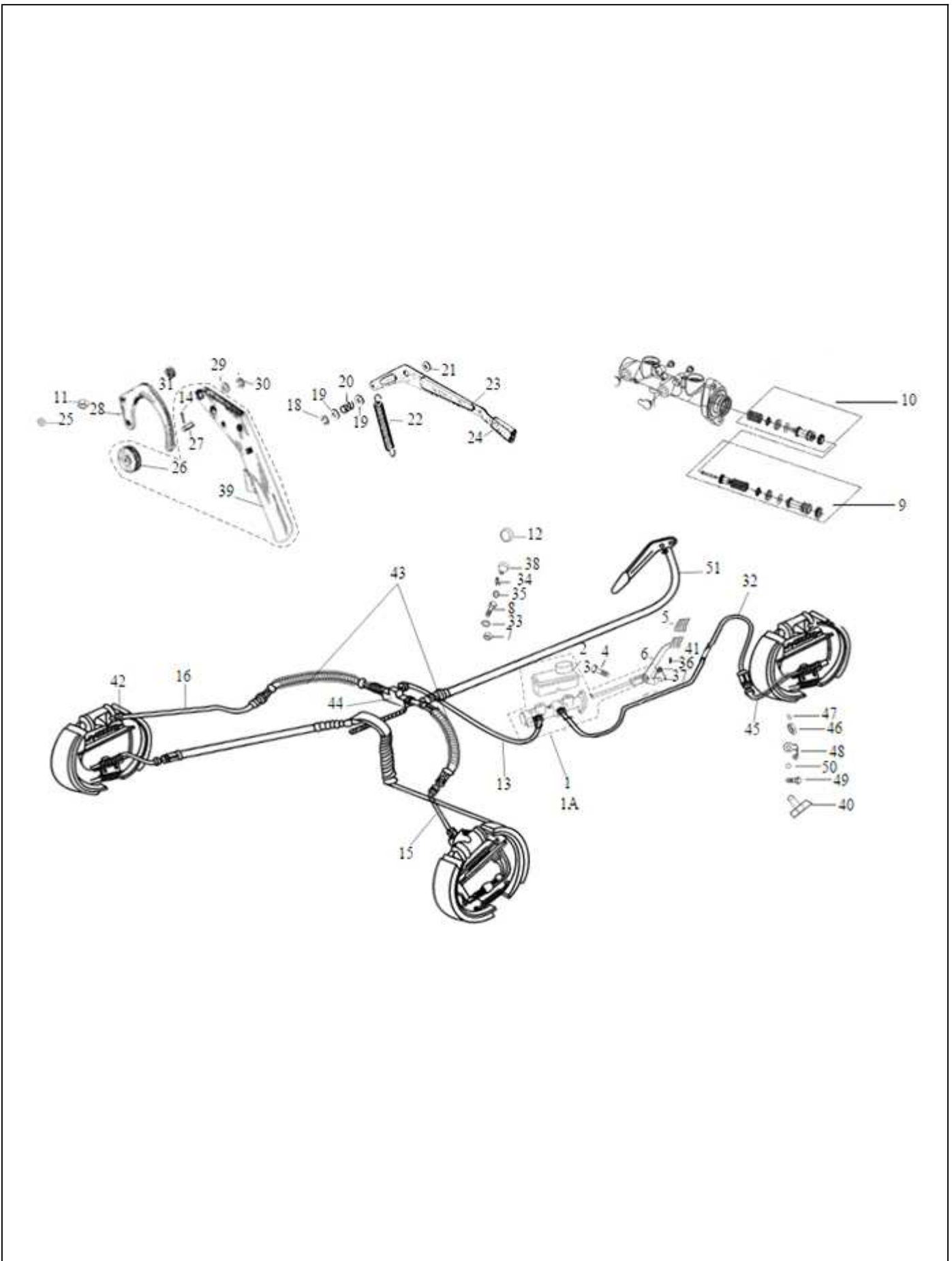


**PLATE-26****Brake - Tandem Master Cylinder ,Brake Pipe And Hand Brakes**

Fig. No.	Part No.	Description	Qty	Remarks
1	B042396	TANDEM MASTER CYLINDER ASSLY WITH RESERVIOR	1	
1A	B042395	TANDEM MASTER CYL ASSLY. WITH BKT. AND FILTER UNION	1	
2	604877	BRAKE OIL TANK	1	
3	605183	BRAKE FLUID TANK FIX KNOB	1	
4	107038	PIN FOR LEVER	1	
5	567461	RUBBER PROTECTION FOR PEDAL	1	
6	B042203	BRAKE PEDAL WITH FOOT REST ASSLY	2	
7	20108	HEX NUT M8	2	
8	31122	HEX HD. SCREW M8X30 CL 8.8	2	
9	B042976	MAJOR KIT TMC (KBX 1008)	1	
10	B042977	MINOR KIT TMC (KBX 1009)	1	
11	20106	HEX NUT M6	2	
12	604502	CUP RETAINING SPRING (41733)	2	
13	B042599	BRAKE TUBE FOR REAR WHEEL	1	
14	567920	SPLIT PIN	3	
15	B041161	BRAKE-PUMP TUBE OF LEFT REAR WHEEL	1	
16	B041160	BRAKE-PUMP TUBE OF RIGHT REAR WHEEL	1	
18	5969	CIRCLIP DIA 9 E TYPE	1	
19	6173	METALLIC PLAIN WASHER (808001026)	2	
20	108785	SPRING	1	
21	108788	SPACER	1	
22	567690	REVERSE GEAR COUPLING SPRING	1	
23	125411	BACKING COMMAND LEVER	1	
24	604717	KNOB FOR R.C.	1	
25	16406	SPRING WASHER	2	
26	567898	PULLEY FOR HAND BRAKE	1	
27	567899	CLEVIS PIN	1	
28	567897	RATCHET , HAND BRAKE CONTROL	1	
29	16408	SPRING WASHER M8	1	
30	6411	EXT CIRCLIP DIA 11	1	
31	20108	HEX NUT M8	1	
32	568161	TUBE BETWEEN TMC & FRT WHEEL	1	
33	16408	SPRING WASHER M8	2	
34	567920	SPLIT PIN	1	
35	3058	PLAIN WASHER 15X8.4X1.5	1	
36	587928	FOOT BRAKE PEDAL SPRING	1	
37	229524	WASHER 21X14.3X2	1	
38	138237	CAP	1	
39	567746	HAND BRAKE CONTROL ASSLY	1	
40	119278	TERMINAL	1	
41	568737	SPLIT PIN 4 X 25 (821 0425 2 2)	2	
42	136916	PLATE FOR RETAINING THE BRAKE FLEX. PIPE	3	

**PLATE-26**

**Brake - Tandem Master Cylinder ,Brake Pipe And Hand Brakes**

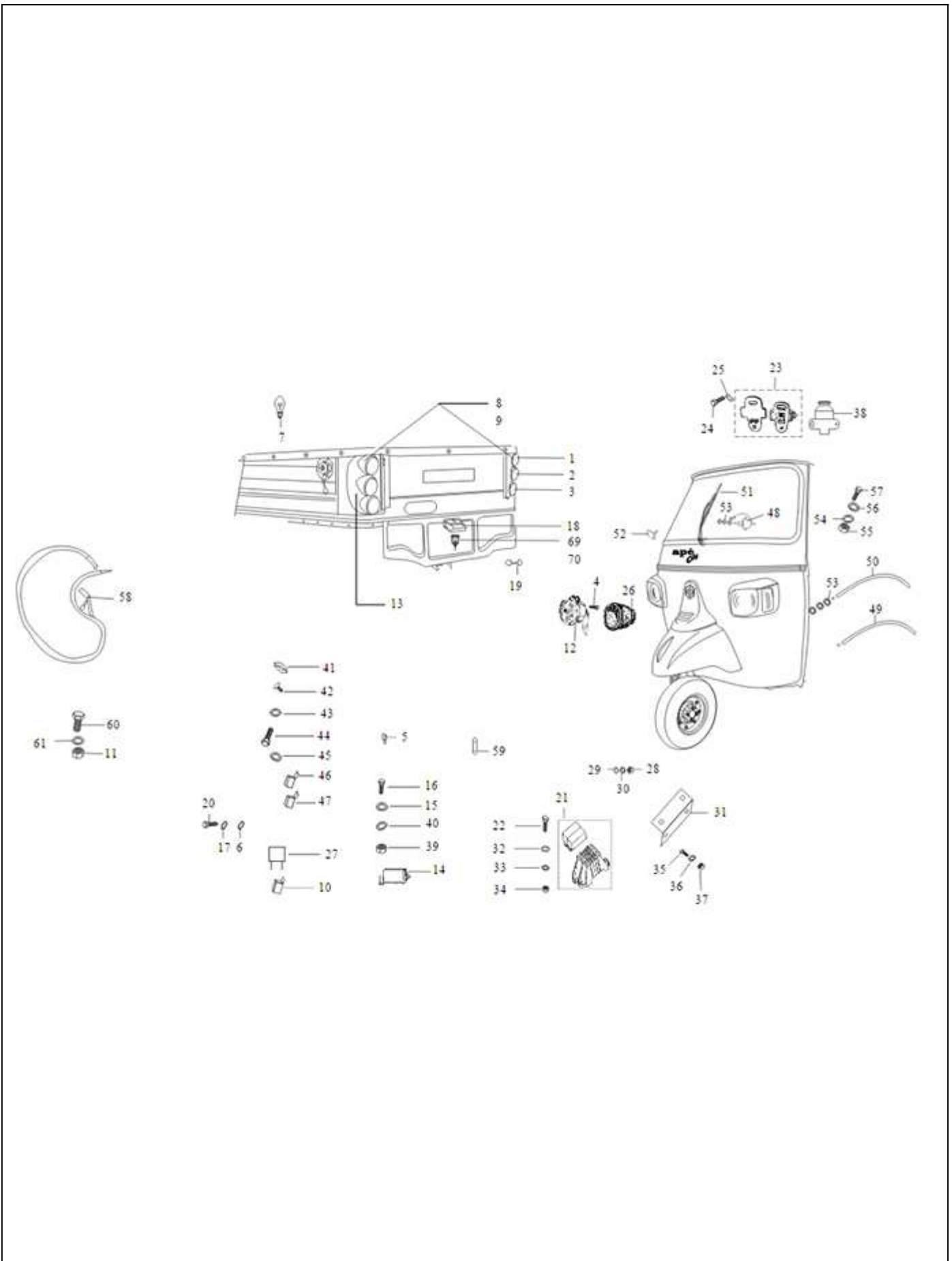


**PLATE-26****Brake - Tandem Master Cylinder ,Brake Pipe And Hand Brakes**

<b>Fig. No.</b>	<b>Part No.</b>	<b>Description</b>	<b>Qty</b>	<b>Remarks</b>
43	644814	FLEXIBLE PIPING FOR REAR WHEEL BRAKE	2	
44	643692	THREE WAY UNION	1	
45	B001581	BRAKE HOSE FR, FLEXIBLE PIPE	1	
46	21216	HEX NUT M16 X 1.5	1	
47	48197	PL WASHER 24X16X1.5	13	
48	B003228	LOCK PLATE FRONT BRAKE HOSE	1	
49	587829	BENJO BOLT	1	
50	612455	COPPER WASHER M10	1	
51	B041774	PARKING BRAKE CABLE ASSY	1	
51	B002338	PARKING BRAKE TRANSMISSION SUB ASSY.	1	



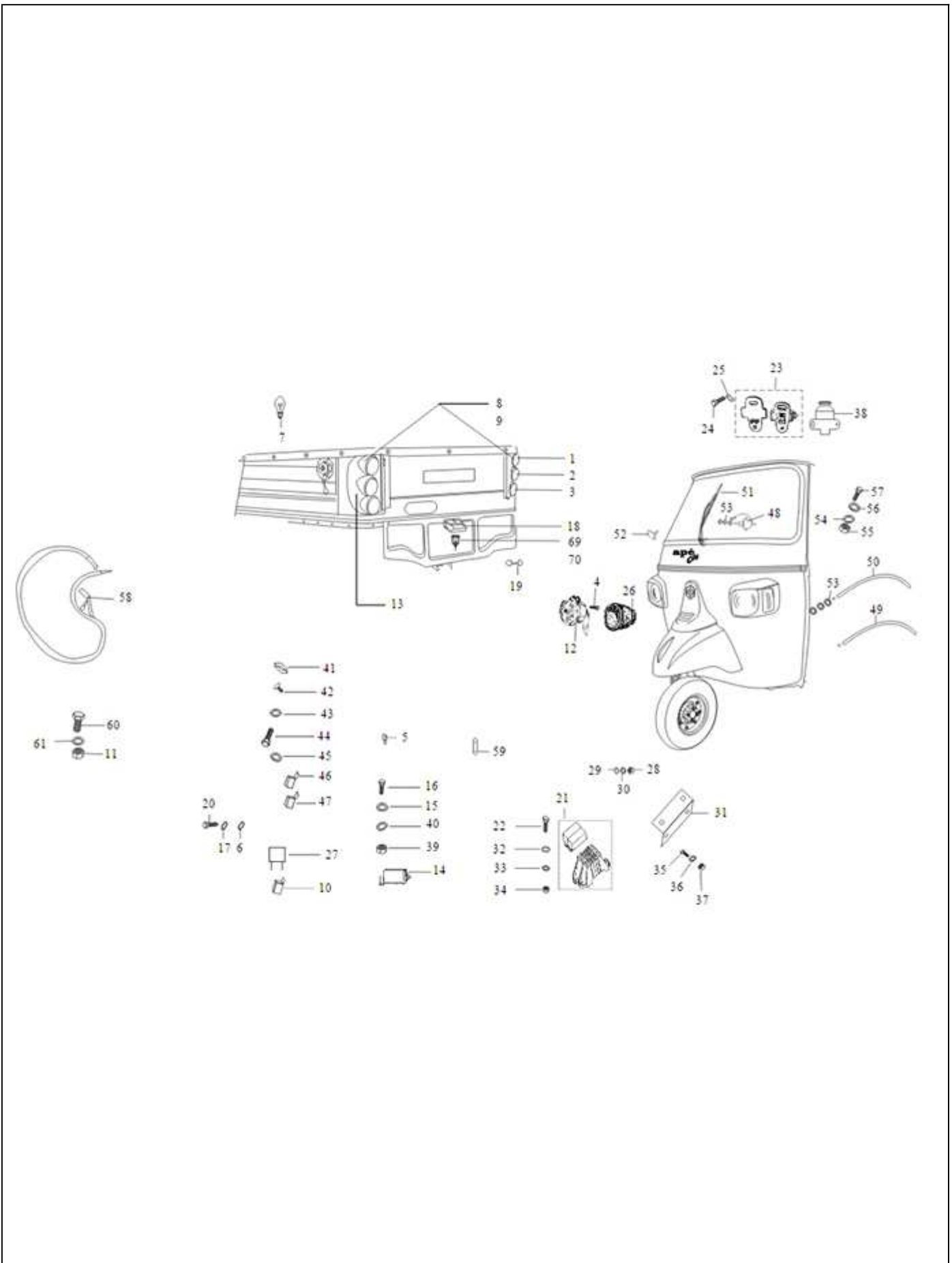
**PLATE-27**  
**Electrical Devices**



**PLATE-27****Electrical Devices**

Fig. No.	Part No.	Description	Qty	Remarks
1	932290	TAIL LAMP LENS (TURN SIGNAL PAXX 200)	2	
2	932291	TAIL LAMP LENS (STOP/TAIL PAXX 200)	2	
3	932292	TAIL LAMP LENS REVERSE ( PAXX 200)	2	
4	15640	SCREW SECURING SWITCH	1	
5	604557	FUSE (10A)	6	
6	3055	RAW WASHER(808000527)	1	
7	925584	BULB 12 V 21W CLEAR (PARKING AND INDICATOR)	2	
7	567700	BULB 10/5W (STOP LIGHT)	2	
8	B024643	TAIL LAMP ASSY. LH	1	
9	B024642	TAIL LAMP ASSY. RH	1	
10	587671R	4 ST RELAY SOLENOID	1	
11	20106	HEX NUT M6	2	
12	604667R	HORN SEALED TYPE DIA. 75	1	
13	B024641	REAR LAMPS SUPPORT PAX 200 (GREY)	2	
14	B023727R	CONTACTOR	1	
15	12546	PLAIN WASHER / MULTI TOOTH LOCK WASHER M5	1	
16	31057	HEX HEAD SCREW M5 X 14 CL 8.8	1	
17	568721	SPRING WASHER M4	2	
18	150915R	REGISTRATION PLATE LAMP ASSY	1	
19	71633	STOP AND PARKING BULB 12V 10/5 W	1	
20	8451	PAN SELF TP SCREW 6 SGX13 AB	2	
21	567581	FOUR POLE FUSE BOX	1	
22	31058	HEX HEAD SCREW M5 X 16 CC8.8	2	
23	567498R	BRAKE/REVERSE LIGHT SW (INTEGRAL CAP)-PAV	2	
24	15996	PHIL RD HD SCREW M4X12	2	
25	3054	PLAIN WASHER	2	
26	645041	HORN PROTECTION	1	
27	567706	FUSE 30 A	1	
28	12136	NUT / NYLOCK NUT M5	2	
29	6078	PLAIN WASHER 12 X 5.2 X 1	2	
30	16405	SPRING WASHER M5	2	
31	660109	FUSE BOX BKT	1	
32	3055	RAW WASHER(808000527)	2	
32	6078	PLAIN WASHER 12 X 5.2 X 1	2	
33	006965	BENT SPRING WASHER 5,3X20X0,5	2	
34	20105	HEX NUT M5	2	
35	31058	HEX HEAD SCREW M5 X 16 CC8.8	22	
36	006965	BENT SPRING WASHER 5,3X20X0,5	2	
37	20105	HEX NUT M5	2	
38	567747	STOP (BRAKE) SWITCH PROTECTION/PACKING BOOT	21	
39	20105	HEX NUT M5	1	
40	3055	RAW WASHER(808000527)	1	

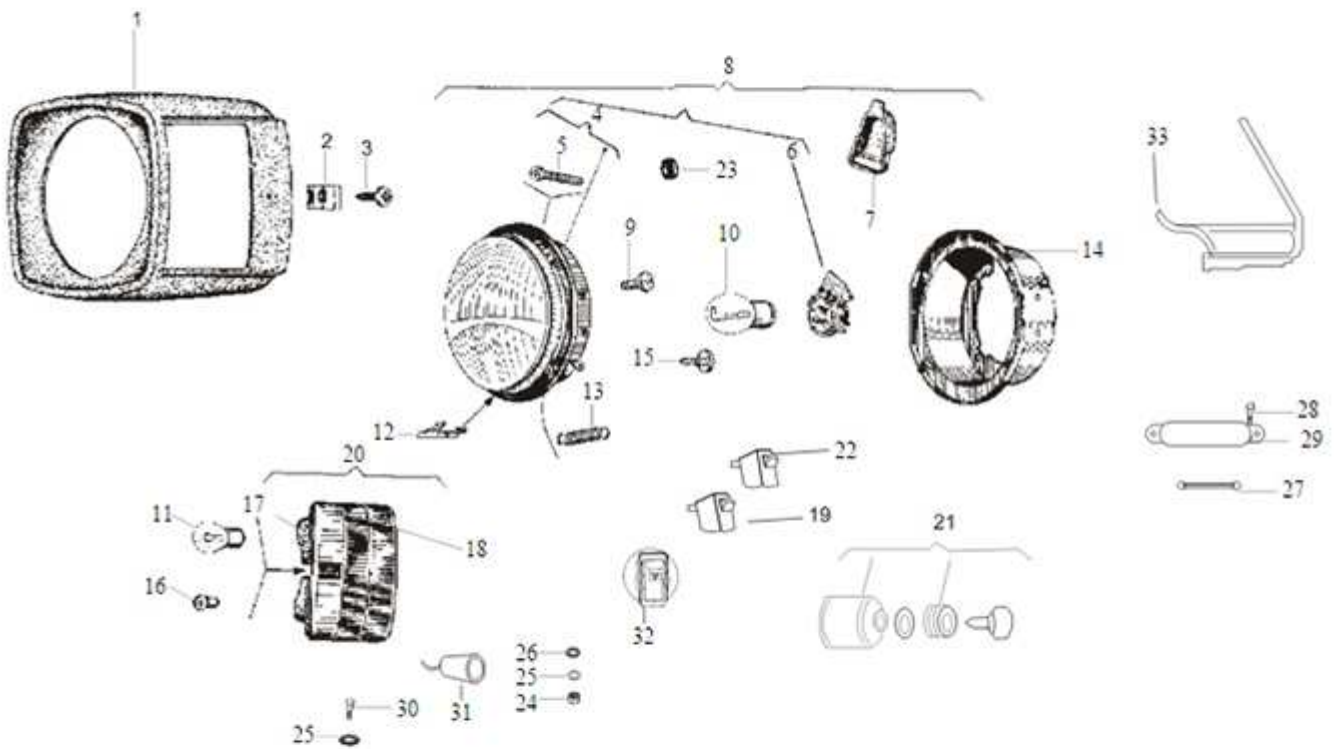
**PLATE-27**  
**Electrical Devices**



**PLATE-27****Electrical Devices**

<b>Fig. No.</b>	<b>Part No.</b>	<b>Description</b>	<b>Qty</b>	<b>Remarks</b>
41	568103	MTG BKT ONE WAY FUSE - HOLDER	1	
42	568692	PAN SELF TAP SCREW 6SG X 16AB	1	
43	31088	HEX HD SCREW M6 X 16 CL 8.8 (811061623)	1	
44	3056	PLAIN WASHER	1	
45	16406	SPRING WASHER	1	
46	680166	SAFETY STARTER RELAY	1	
47	B023727R	CONTACTOR	1	
48	632995	WIPER MOTOR ASSY. WITH MTG. BKT. (N.I.)	1	
49	604506	BUNDY TUBE OUTER	1	
50	632285	BUNDY TUBE (MOTOR TO WHEEL BOX)	1	
51	632292	WIPER ARM & BLADE ASSY	1	
52	569197	WHEEL BOX ASSY. (MOD.)	1	
53	569165	DOME NUT	1	
54	16406	SPRING WASHER	1	
55	20106	HEX NUT M6	6	
56	3056	PLAIN WASHER	6	
57	31088	HEX HD SCREW M6 X 16 CL 8.8 (811061623)	6	
58	B024948R	BAT + VE _BC SW -4ST REL(CITY 200 C/L)	1	
59	925786	ECU - FUSE (2A) (N.I)	1	
60	31088	HEX HD SCREW M6 X 16 CL 8.8 (811061623)	2	
61	16406	SPRING WASHER	2	

**PLATE-28**  
**Electrical Devices**

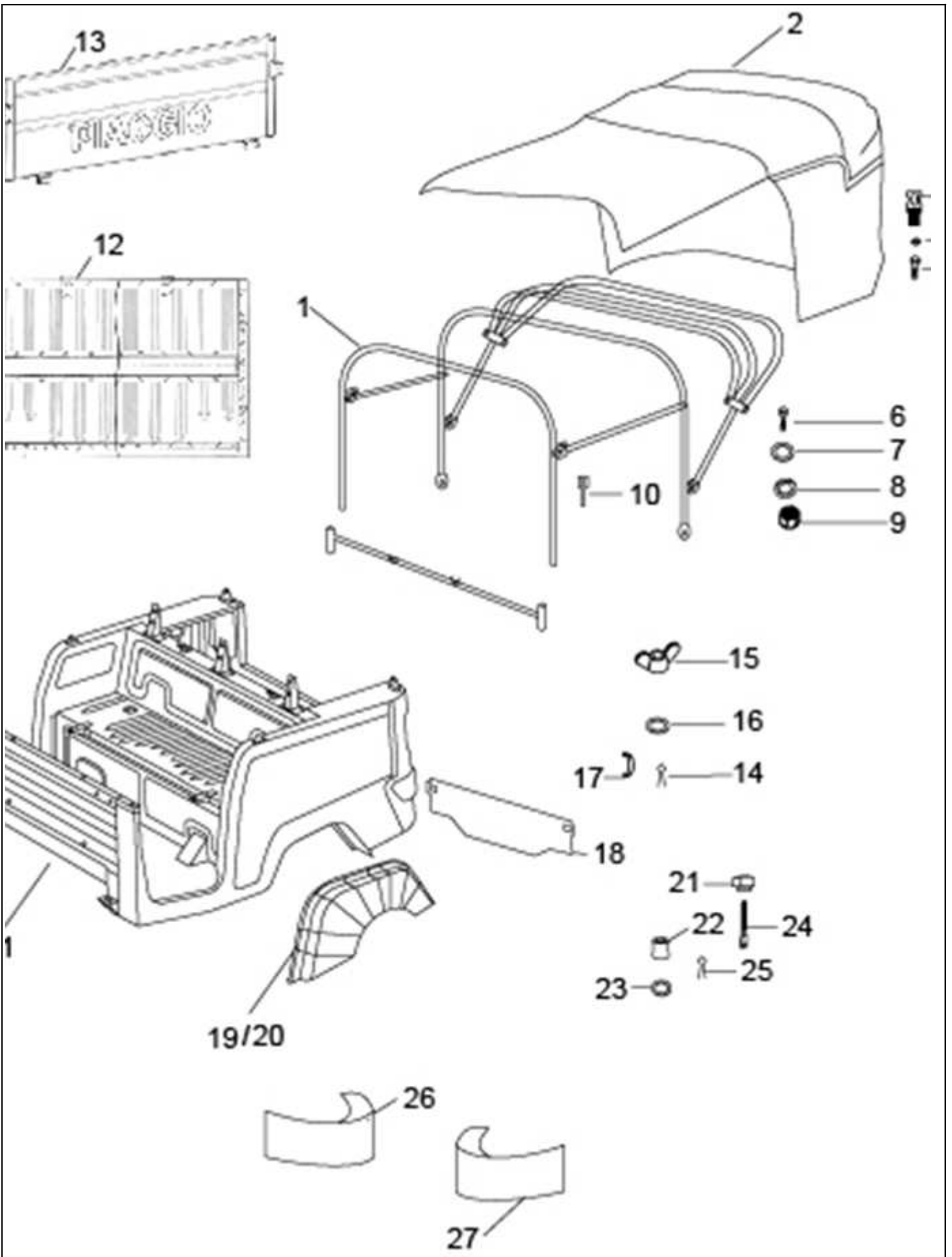


**PLATE-28****Electrical Devices**

<b>Fig. No.</b>	<b>Part No.</b>	<b>Description</b>	<b>Qty</b>	<b>Remarks</b>
1	B025600	SEAT OF LAMP RIGHT	1	
1	B025601	SEAT OF LAMP LEFT	1	
2	8080	SPRING PLATE	2	
3	8455	SCREW/PANSELF TAPPING SCREW	2	
4	925590	HEAD LAMP SEAL BEAM WITH HOLE	4	
5	15641	HEAD LAMP ADJUSTING SCREW	4	
6	114121	BULB HOLDER / HOLDER FRONT LAMP	2	
7	177559	CAP	2	
8	632477R	ASSY. HEAD LAMP WITH LATERAL LAMP RH	1	
8	632478R	ASSY. HEAD LAMP WITH LATERAL LAMP LH	1	
9	008432	SCREW X LEGSHIELD BEADING TIGHTEN. FLAP	2	
10	219528	BULB 12V 35/35W	2	
11	925581	INDICATOR LIGHT BULB 12V 21W AMBER COLOUR	1	
12	119735	PROTECTION SECURING SPRING/SPR. FOR PROTECTION	4	
13	127179	SPRING FOR HEAD LAMP / SPRING	2	
14	185843	HEAD LAMP SUPPORT/RING	2	
15	15900	HEAD LAMP SECURING SCREW/PAN SELF TAP SCREW	6	
16	567593	BULB 12V 5W / LAMP 4W	2	
17	127177	F/PARKING LAMP BODY RH	1	
17	127176	F/PARKING LAMP BODY LH	1	
18	925579	H.L. LATERAL LAMP LENSE RH - NEOLITE	1	
19	587670R	SWITCH 3 POSITION	1	
20	B024642	TAIL LAMP ASSY. RH	1	
20	B024643	TAIL LAMP ASSY. LH	1	
20	925588	LATERAL LAMP ASSY. RH (LUMAX)	1	
20	925598	LATERAL LAMP ASSY. L H (LUMAX)	1	
21	B024532	KEY IGNITION SWITCH W/COUPLER (PAVNA)	1	
22	587974R	WIPER MOTOR SWITCH/ SWITCH WIPER MOTOR	1	
23	119975	GROMMET	2	
24	20105	HEX NUT M5	2	
25	3055	RAW WASHER(808000527)	2	
26	16405	SPRING WASHER M5	2	
27	71633	STOP AND PARKING BULB 12V 10/5 W	1	
29	15727	PAN SELF TAPPING SCREW	2	
30	567573R	ENGINE COMPARTMENT LAMP ASSY. W/O BULB	1	
31	661925	PHILIP PAN HEAD SCREW (M5 X 0.8 X 1.6)	4	
32	660826R	HAZARD WARNING SWITCH WITH CROWN CAP (12V)(VE)	1	
33	658810	SPRING FIXING ON RIM HEAD LIGHT	1	

PLATE-29

Passanger Auto Rikshaw Body-I



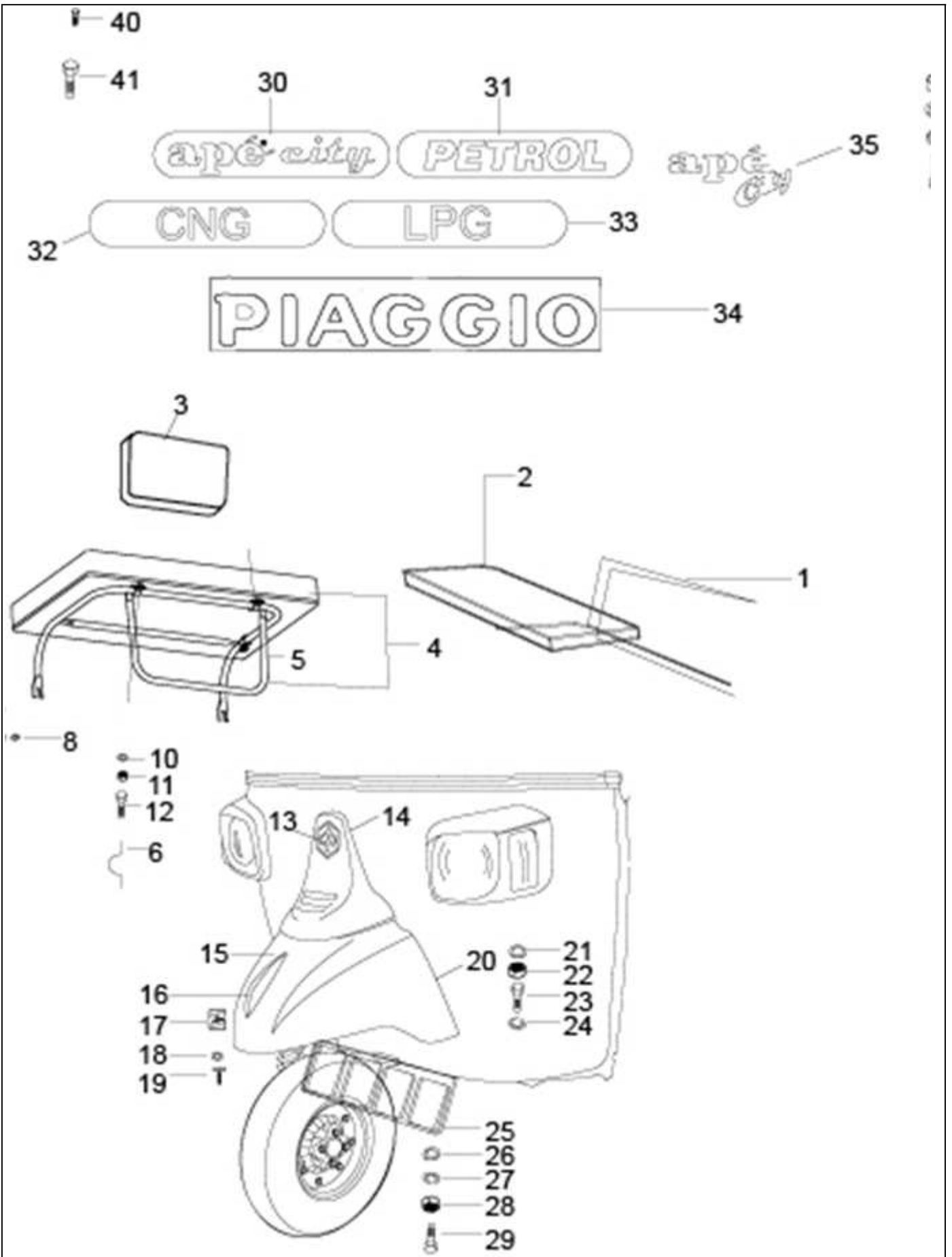
**PLATE-29****Passanger Auto Rikshaw Body-I**

<b>Fig. No.</b>	<b>Part No.</b>	<b>Description</b>	<b>Qty</b>	<b>Remarks</b>
1	B024345	HOOD FRAME ASSEMBLY (PETROL)	1	
2	B041637R	SOFT TOP ASSY - PETROL	1	
2	B042973R	SOFT TOP ASSLY CLOSED. (CNG/ LPG)	1	
2	B041179R	SOFT TOP (CNG) BLACK	1	
3	B003502	FEMALE BUTTON ASSY.	10	
4	16408	SPRING WASHER M8	4	
5	31116	HEX HD. SCREW M8X16	4	
6	31088	HEX HD SCREW M6 X 16 CL 8.8 (811061623)	22	
7	3056	PLAIN WASHER	22	
8	16406	SPRING WASHER	22	
9	632056	HEX NUT M6	22	
10	568096	SCREW HEAD CAP SCREW M8X20 (819082037)	4	
11	B024364GY	PASS. BODY ASSY GY - PETROL	1	
11	B024364BY	PASS. BODY ASSY BY - PETROL	1	
11	B024835EG	PASSENGER BODY EG - (CNG/LPG)	1	
11	B024835GY	PASSENGER BODY GY - (CNG/LPG)	1	
11	B024835BY	PASSENGER BODY BY - (CNG/LPG)	1	
12	B001635	ENGINE COMP. DOOR ASSY. (DIESEL)	1	
12	B002210	ENGINE COMP. DOOR ASSY. (CNG/LPG)	1	
13	B001650CED	HATCH ASSLY OF LATCH BOLT (APE CITY)-CED	1	
15	B006593	WING NUT M6	2	
16	3058	PLAIN WASHER 15X8.4X1.5	4	
17	B003030	COVER TAIL LAMP GAP	2	
18	B025672	REAR VISUAL BARRIER ASSY.	1	
19	B041397	COVER INNER MUDGAURD RH	1	
20	B041398	COVER INNER MUDGAURD LH	1	
21	B001423	KNOB REAR DOOR	2	
22	B003654	RUBBER BUSH ENGINE DOO	2	
23	16670	PLAIN WASHER 12X4.5X1	2	
24	B001402	SCREW FOR DOOR KNOB	2	
25	B003422	SPLIT PIN 2.5 X 25	2	
26	B041118	TRIM PAD SIDE PANEL	2	
27	B041217	TRIM PAD SIDE PANEL LH	1	



PLATE-29.1

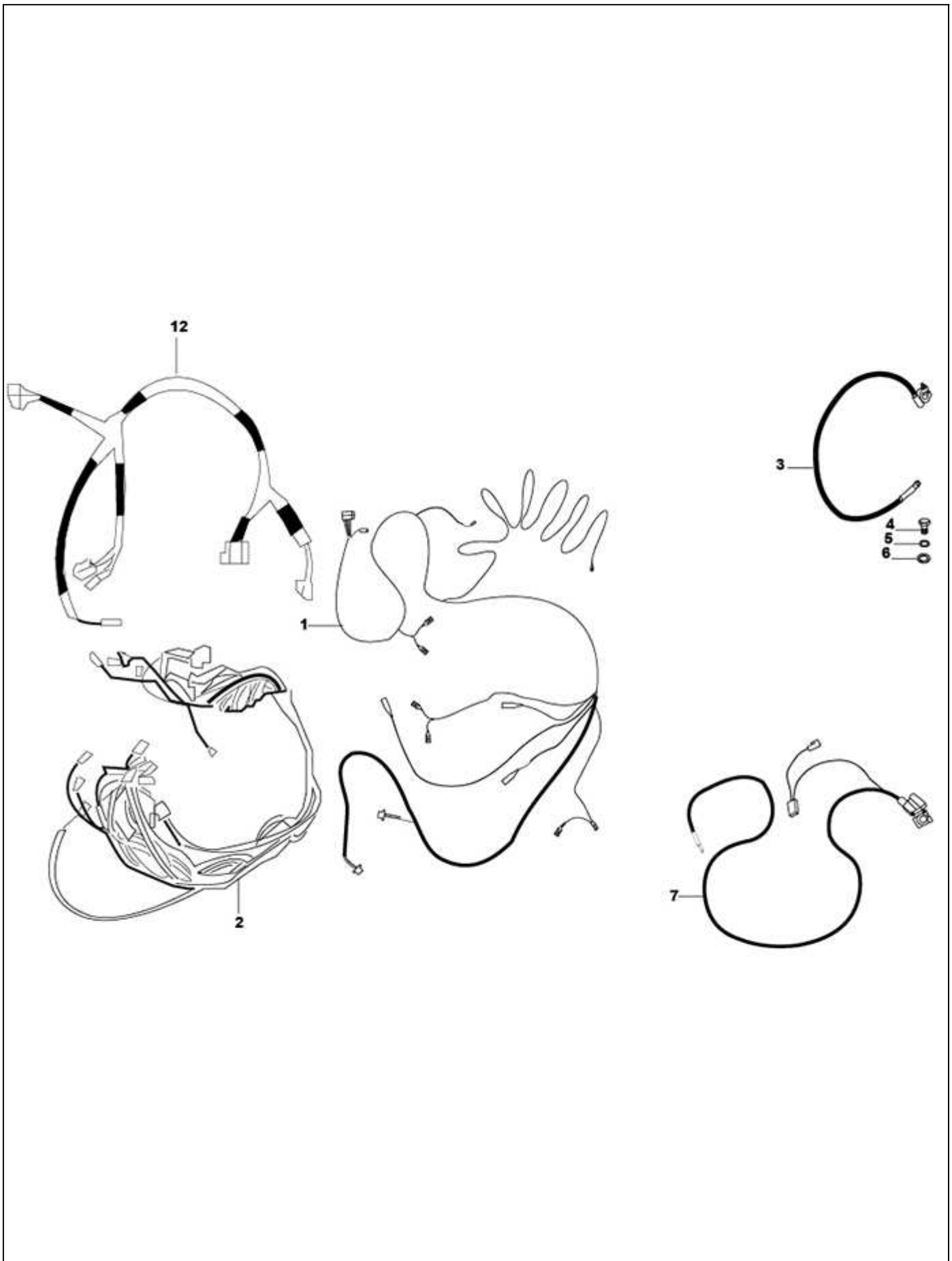
Passenger Auto Rikshaw Body-II



**PLATE-29.1****Passanger Auto Rikshaw Body-II**

Fig. No.	Part No.	Description	Qty	Remarks
1	B024512	PASSENGER BACKREST	1	
2	B024516	PASS DRIVER SEAT ASSY (CNG/LPG)	1	
3	B024542	DRIVER BACK REST ASSY	1	
4	B024520	DRIVER SEAT ASSY COMPLETE	1	
5	B024521	DRIVER SEAT PIPE S/A (CNG/LPG)	1	
6	B001273	C CLAMP	3	
7	16408	SPRING WASHER M8	6	
8	3058	PLAIN WASHER 15X8.4X1.5	6	
9	B024496	DRIVER SEAT SUB. ASSY	1	
10	2383	PLAIN WASHER M20X8.5X2	4	
11	20108	HEX NUT M8	2	
12	31119	HEX HD SCREW M8 X 25	2	
13	B042485	EMBLEM PIAGGIO	1	
14	B025598	CENTRAL COVER	1	
15	B024452	FR. MUDGUARD & TRIM ASSLY	1	
16	B025603	FR. MUD. TRIM	1	
17	B003261	ORNAMENT CREST	1	
18	97756	METALLIC PLAIN WASHER	2	
19	B001493	PAN SELF TAP SCREW 4SG X 16AB	2	
20	568703	GASKET FOR FRONT MUDGUARD	2	
21	13880	METALIC PLAIN WASHER	8	
22	20106	HEX NUT M6	4	
23	31089	HEX HEAD SCREW M6X18 CL 8.8	4	
24	78307	BENT SPRING WASHER M6	4	
25	B041054	MUD FLAP FRONT	1	
26	13880	METALIC PLAIN WASHER	4	
27	16406	SPRING WASHER	4	
28	20106	HEX NUT M6	4	
29	31088	HEX HD SCREW M6 X 16 CL 8.8 (811061623)	4	
30	B003358	PLATE APECITY - STICKER	1	
31	B003652	PLATE PETROL	1	
32	B003658	PLATE CNG	1	
33	B003657	PLATE LPG	1	
34	662137	PIAGGIO TAIL GATE (SUYASH) STK. FOR D	1	
35	B041459	PLATE FRONT DOME -APE CITY	1	
36	20108	HEX NUT M8	2	
37	116831	PLAIN METALLIC WASHER (826000828)	4	
38	16408	SPRING WASHER M8	6	
39	30072	HEX HEAD BOLT M8 X 35	2	
40	31116	HEX HD. SCREW M8X16	10	
41	30074	HEX HEAD BOLT M8 X 40 CL 8.8	2	

**PLATE-30**  
**Wiring Harness**

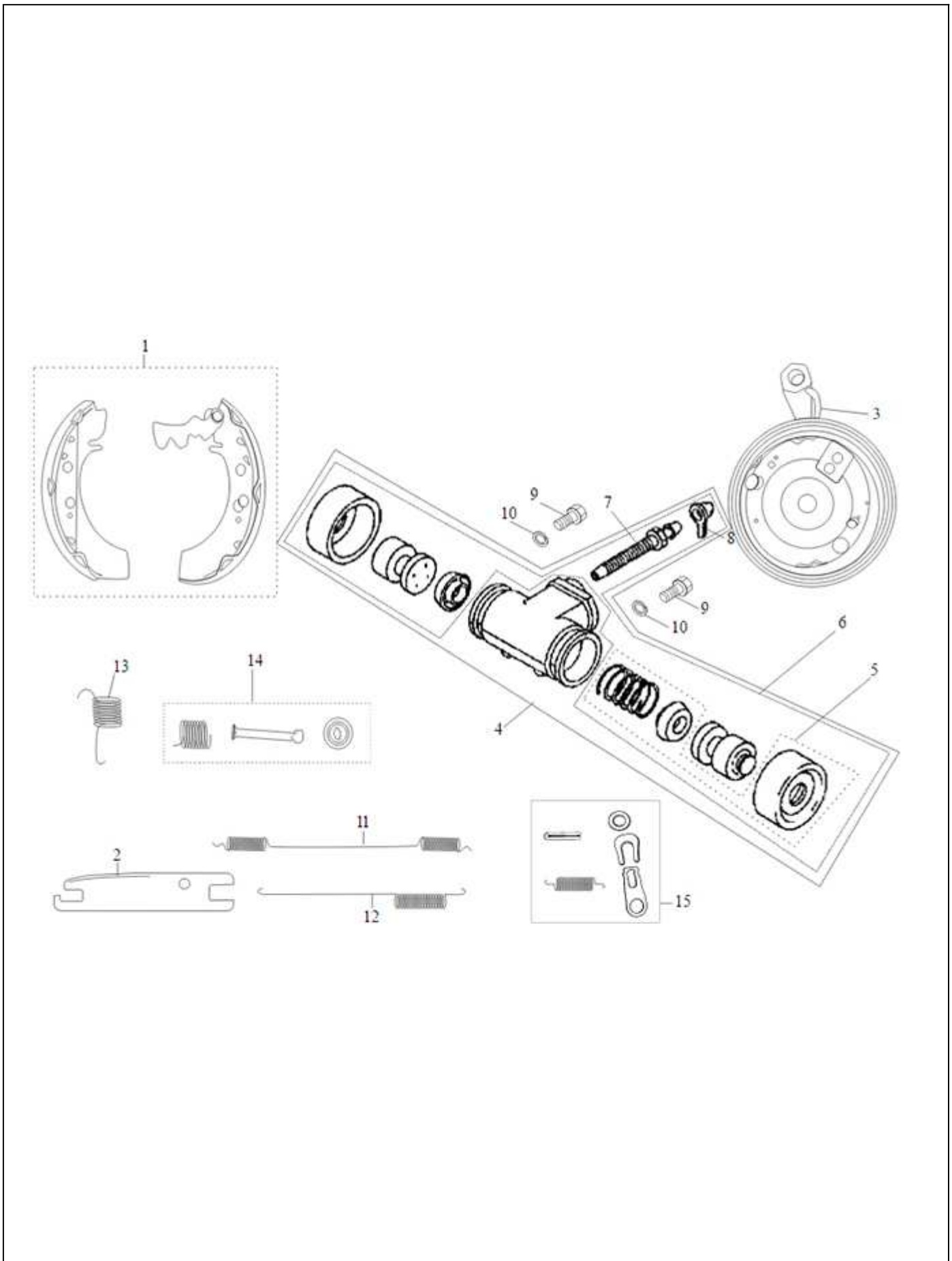


**PLATE-30****Wiring Harness**

<b>Fig. No.</b>	<b>Part No.</b>	<b>Description</b>	<b>Qty</b>	<b>Remarks</b>
1	B042520R	WIRING HARNESS-MAIN (PET.)	1	
1	B042523R	W/HS MAIN CNG	1	
1	B076837	LEVER GEAR SHIFT-PORTER 700	1	
1	B042063	BATTERY CABLE NEGATIVE	1	
1	B073207	W/HS MAIN_NEUTRAL SW(CITY 200 CNG)	1	
1	B073205	W/HS MAIN_NEUTRAL SW(CITY 200 LPG)	1	
1	B073203	W/HS MAIN_NEUTRAL SW(CITY 200 PETROL)	1	
2	B042521	WIRING HARNESS INSTRUMENT PANEL- PETROL	1	
2	B042522	WIRING HARNESS INSTRUMENT PANEL (APE CITY CNG/LPG)	1	
2	B073202	W/HS INST. PANEL_NTRAL SW( CITY 200 PET)	1	
2	B073206	W/HS INST.PANEL_NEUTRAL SW(CITY 200 GAS)	1	
3	660820	BATTERY CABLE NEGATIVE	1	
4	31088	HEX HD SCREW M6 X 16 CL 8.8 (811061623)	1	
5	3056	PLAIN WASHER	1	
6	16406	SPRING WASHER	1	
7	B002183	BATTERY +VE CABLE-CUT STARTER MOTOR (LPG/CNG)	1	
7	B041880	BATTERY CABLE +VE	1	
7	B024949R	BATTERY CABLE POSITIVE NO.1(APE PAX200 PETROL)	1	
7	B002183	BATTERY +VE CABLE-CUT STARTER MOTOR (LPG/CNG)	1	
8	B003110	PIG TAIL FUEL TANK (N.I.)	1	
9	661492	PIG TAIL CABIN LAMP (PASS UPGRADE)(N.I.)	1	
10	B024271	LPG KIT HARNESS (VANAZ APE CITY SM) - (N.I.)	1	
11	B024270	WIRE HARNESS VANAZ APE CITY - (N.I.)	1	
12	B023968	ENGINE WIRING HARNESS (PET) (CNG&LPG)	1	



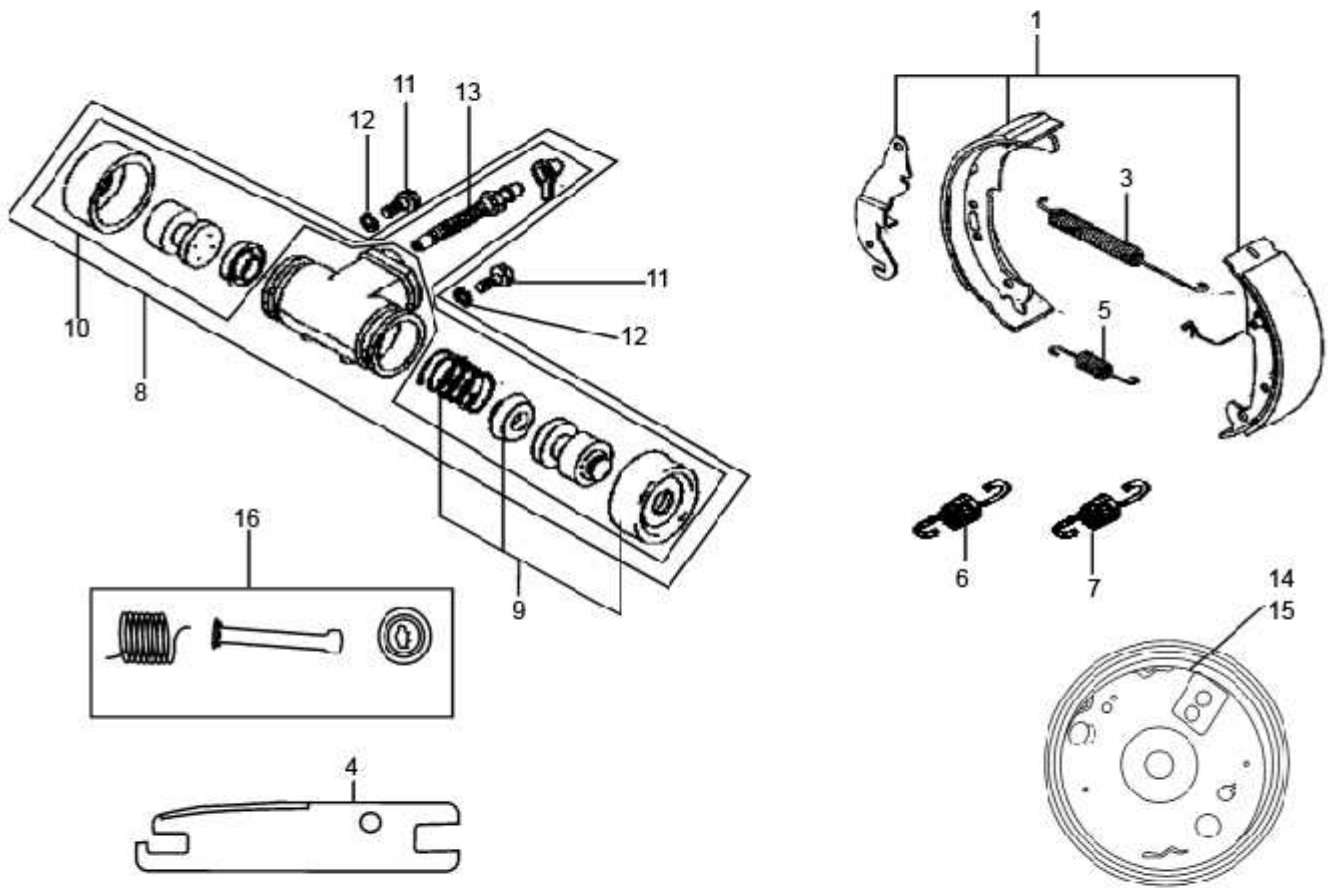
**PLATE-31**  
**Front Brake Assembly**



**PLATE-31****Front Brake Assembly**

<b>Fig. No.</b>	<b>Part No.</b>	<b>Description</b>	<b>Qty</b>	<b>Remarks</b>
1	KIT95033	FRONT BRAKE LINERS KIT	1	
2	B003008	STRUT FRONT	1	
3	B001397	FRONT BACK PLATE	1	
4	B003017	WHEEL CYLINDER ASSY.	1	
5	B003325	MINOR KIT WHEEL CYLINDER	1	
6	B003324	MAJOR KIT WHEEL CYLINDER	1	
7	B003300	BLEEDER SCREW	1	
9	63440	BOLT M6X12	2	
10	12536	SPRING WASHER	2	
11	B003004	SHOE RETURN SPRING (UPPER)	1	
12	B003003	SHOE RETURN SPRING (LOWER)	1	
13	B003002	STRUT SPRING	1	
14	KIT95036	SHOE HOLD DOWN KIT	1	
15	B006509	CLIP & PIN KIT	1	

**PLATE-32**  
**Rear Brake Assembly**

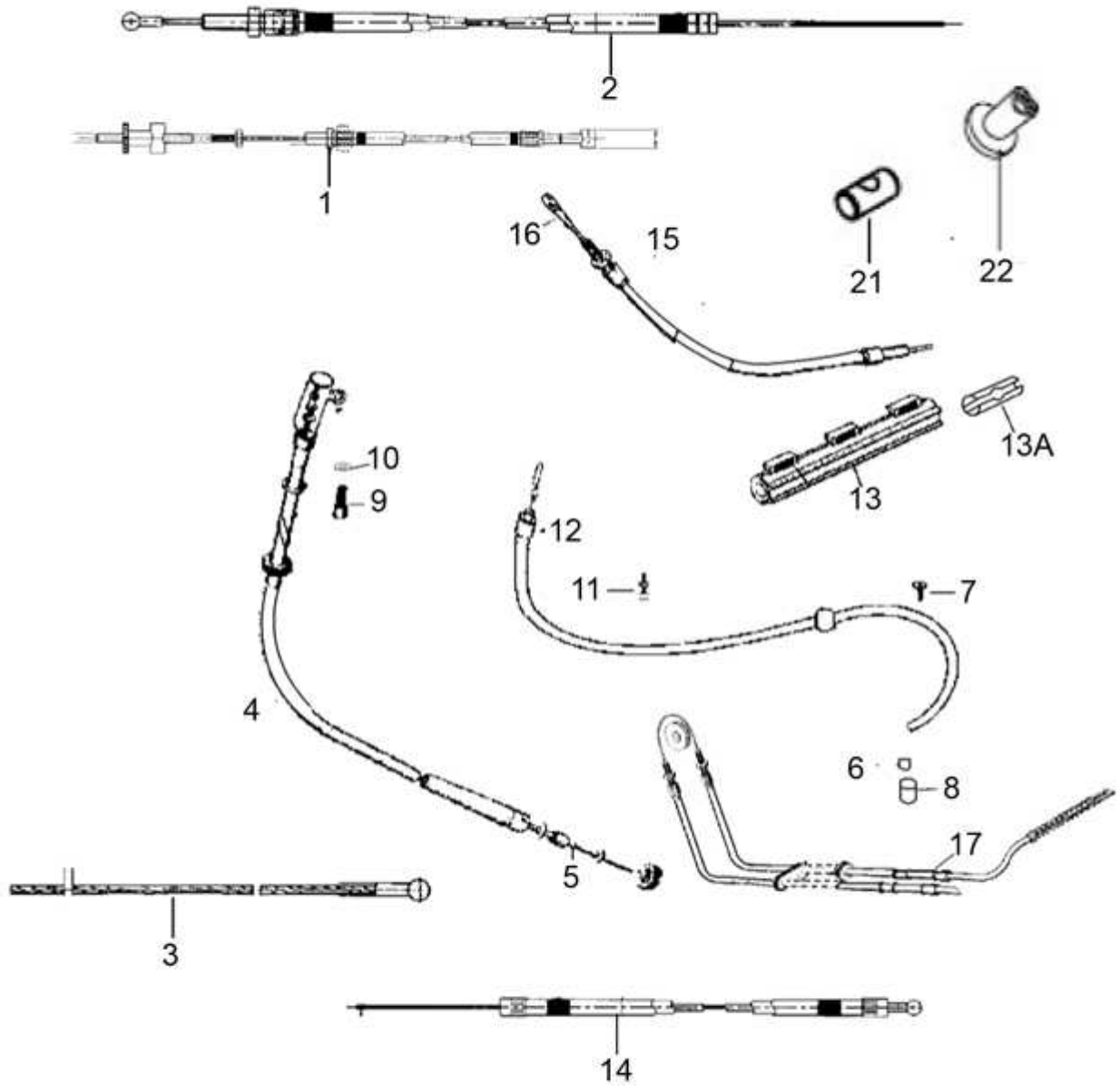




**PLATE-32****Rear Brake Assembly**

<b>Fig. No.</b>	<b>Part No.</b>	<b>Description</b>	<b>Qty</b>	<b>Remarks</b>
1	B003330	REAR BRAKE SHOE KIT LH	1	
2	B003331	REAR BRAKE SHOE KIT RH (NI)	1	
3	B003004	SHOE RETURN SPRING (UPPER)	2	
4	B003012	STRUT REAR	2	
5	B003003	SHOE RETURN SPRING (LOWER)	2	
6	B003011	STRUT SPRING RH	1	
7	B003002	STRUT SPRING	1	
8	B003014	WHEEL CYLINDER ASSY. DIA.25.4 MM	1	
9	925574	MINOR KIT WHL CYL. RR	1	
10	B003328	MAJOR KIT WHEEL CYLINDER	1	
11	63440	BOLT M6X12	4	
12	12536	SPRING WASHER	4	
13	B003300	BLEEDER SCREW	2	
14	B001228	BRAKE PLATE ASSY. RH	1	
15	B001225	BRAKE PLATE ASSY. LH (N.I.)	1	
16	B003327	SHOE HOLD DOWN KIT	1	

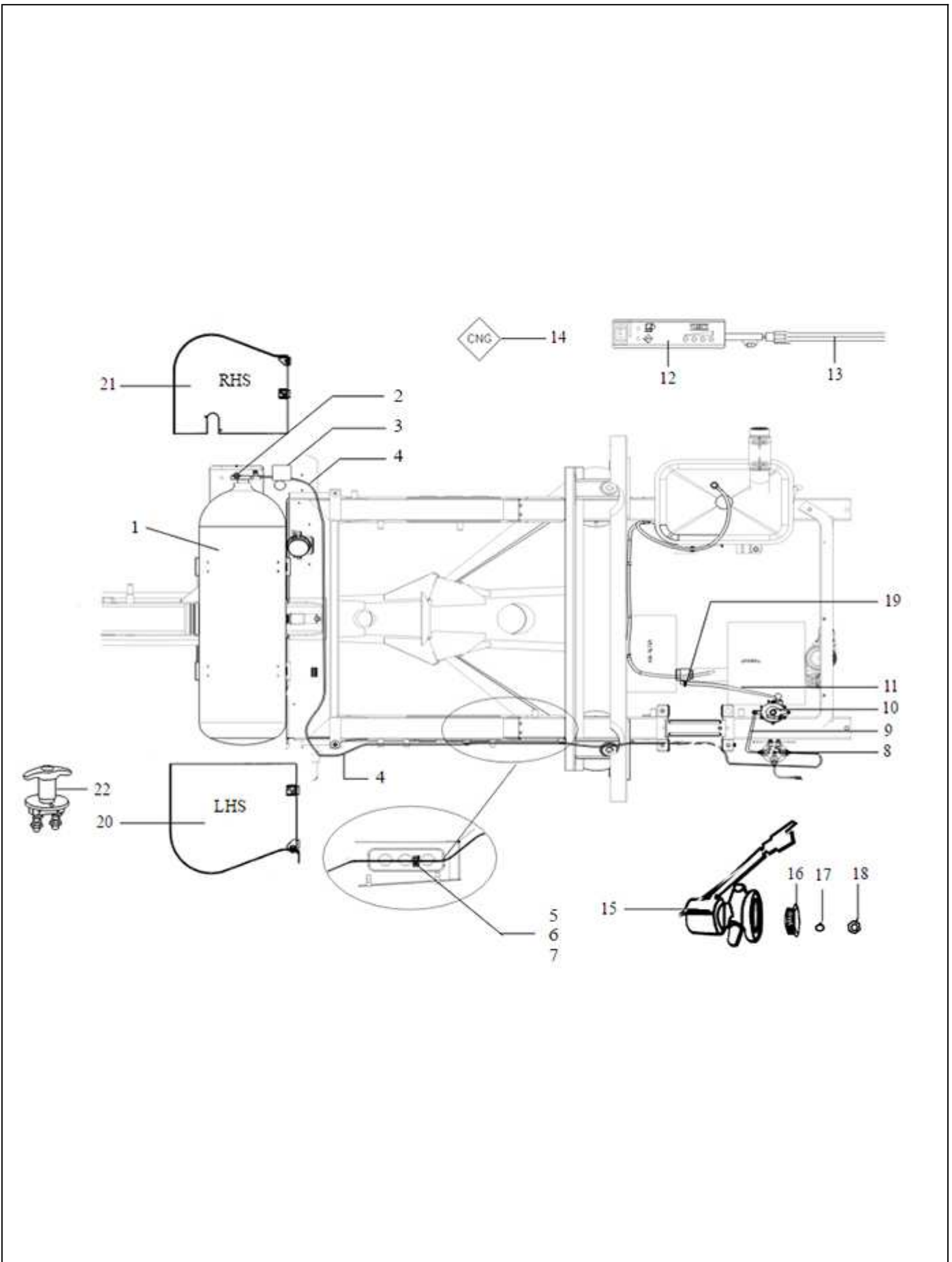
**PLATE-33**  
**Cables**



**PLATE-33****Cables**

<b>Fig. No.</b>	<b>Part No.</b>	<b>Description</b>	<b>Qty</b>	<b>Remarks</b>
1	B023919	CLUTCH CONTROL TRANSMISION ASSY.	1	
2	B023912	CABLE GEAR CONTROL ASSY. (BLACK)	1	
3	B023915	CABLE GEAR CONTROL ASSY NO. 2 (WHITE)	1	
3A	B023916	INNER GEAR CONTROL CABLE (BLACK/WHITE)	2	
4	645124	SPEEDO CABLE	1	
5	587812	TRANSMISSION CABLE (INNER) FOR ODOMETER	1	
7	150417	SCREW TERMINAL	1	
8	604560	SCREW TERMINAL ASSY. - GEAR CONTROL	2	
9	197071	ADJUSTER SCREW M6	2	
10	20106	HEX NUT M6	2	
12	B023909	CHOKE CONTROL CABLE ASSY	1	
13	B024774	SLEEVE FOR ACC. AND CHOKE CABLE	2	
14	B023918	GASOLINE CONTROL TRANSMISSION ASSY.	1	
14A	B042356	ACCELERATOR CABLE WITH JONT (NEW)	1	
15	587633	CABLE, REVERSE GEAR CONTROL ASSY.	1	
16	587822	CABLE, REVERSE GEAR WITH TERMINALS.	1	
17	B041774	PARKING BRAKE CABLE ASSY	1	
18	B018546	ACCELERATOR CONTROL TRASMISSION SIDE CAR (N.I.)	1	
19	B018547	CHOKE CONTROL TRASMISSION SIDE CARBURETOR (N.I)	1	
20	680217	EARTHING CABLE	1	NI
21	604781	ROLLER	1	
22	604782	NUT	1	

**PLATE-34**  
**CNG Kit**

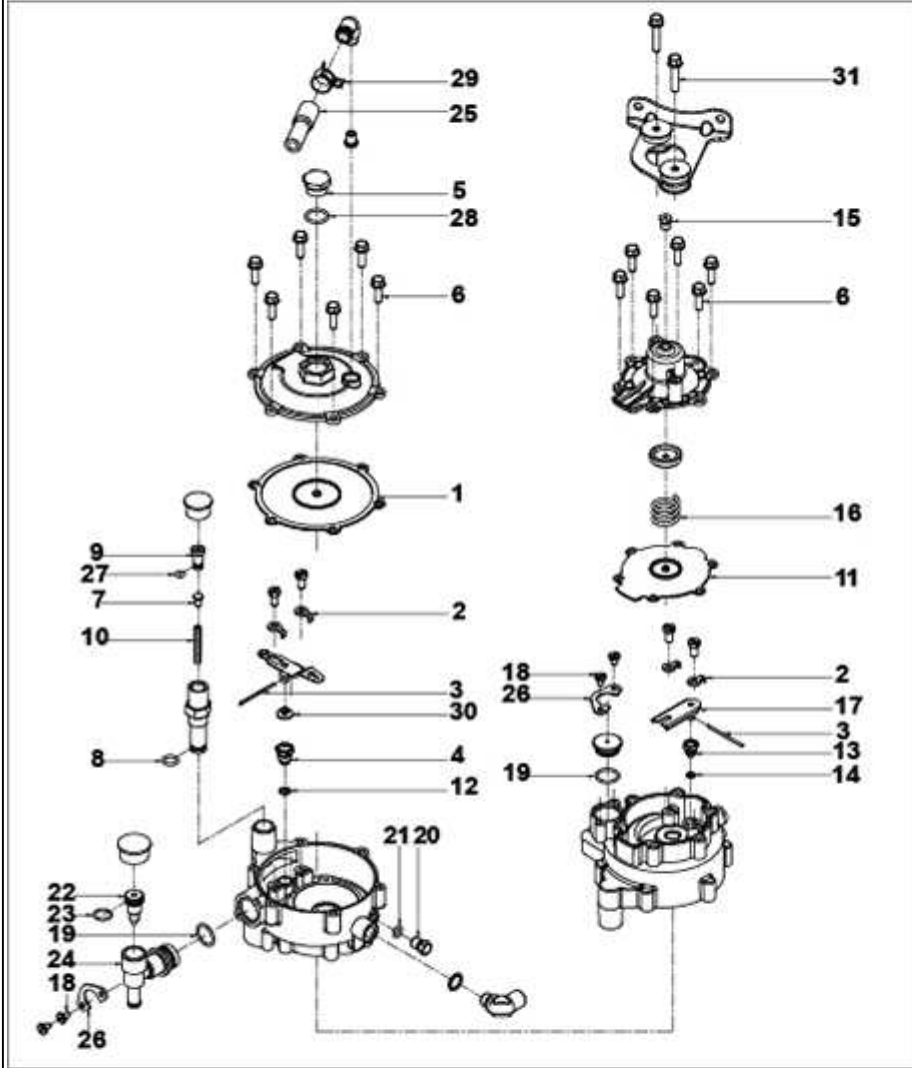


**PLATE-34**  
**CNG Kit**

Fig. No.	Part No.	Description	Qty	Remarks
1	B024601R	GAS CYLINDER 30LTR.	1	
1A	B003038	CNG CYLINDER VALVE	1	
2	932300	CNG PRESSURE GAUGE WITH SENSOR	1	
3	B024131	FIRST STAGE REDUCTION UNIT (HPR)	1	
4	932248	FLEXIBLE HOSE ASSY ( HPR- FILTER SOL. VALVE )	1	
5	B024194	CLAMP	3	
6	643964	SCREW	3	
7	861990	WASHER	3	
8	932250	FILTER SOL. VALVE WITH BRACKET	1	
9	932252	HOSE SOLENOID TO LPR	1	
10	932308	2 STAGE CNG REGULATOR-(PAXX 200)	1	
11	932253	HOSE LOW PRESSURE CNG	1	
12	932277	ECU	1	
13	932245	KIT WIRING HARNESS	1	
14	643850	STICKER	2	
15	932273	COIL ASSEMBLY	1	
16	932274	PAPER FILTER	1	
17	932275	O RING	1	
18	932276	DRAIN PLUG	1	
19	-	RESTRICTOR -1 FOR CNG/LPG	1	
19	-	RESTRICTOR -2 FOR CNG	1	
20	B041301	GAS CYLINDER COVER LH ASSLY	1	
21	B024694	GAS CYLINDER COVER RH ASSY	1	
22	B009483	CUT OFF SWITCH	1	

**PLATE-35**

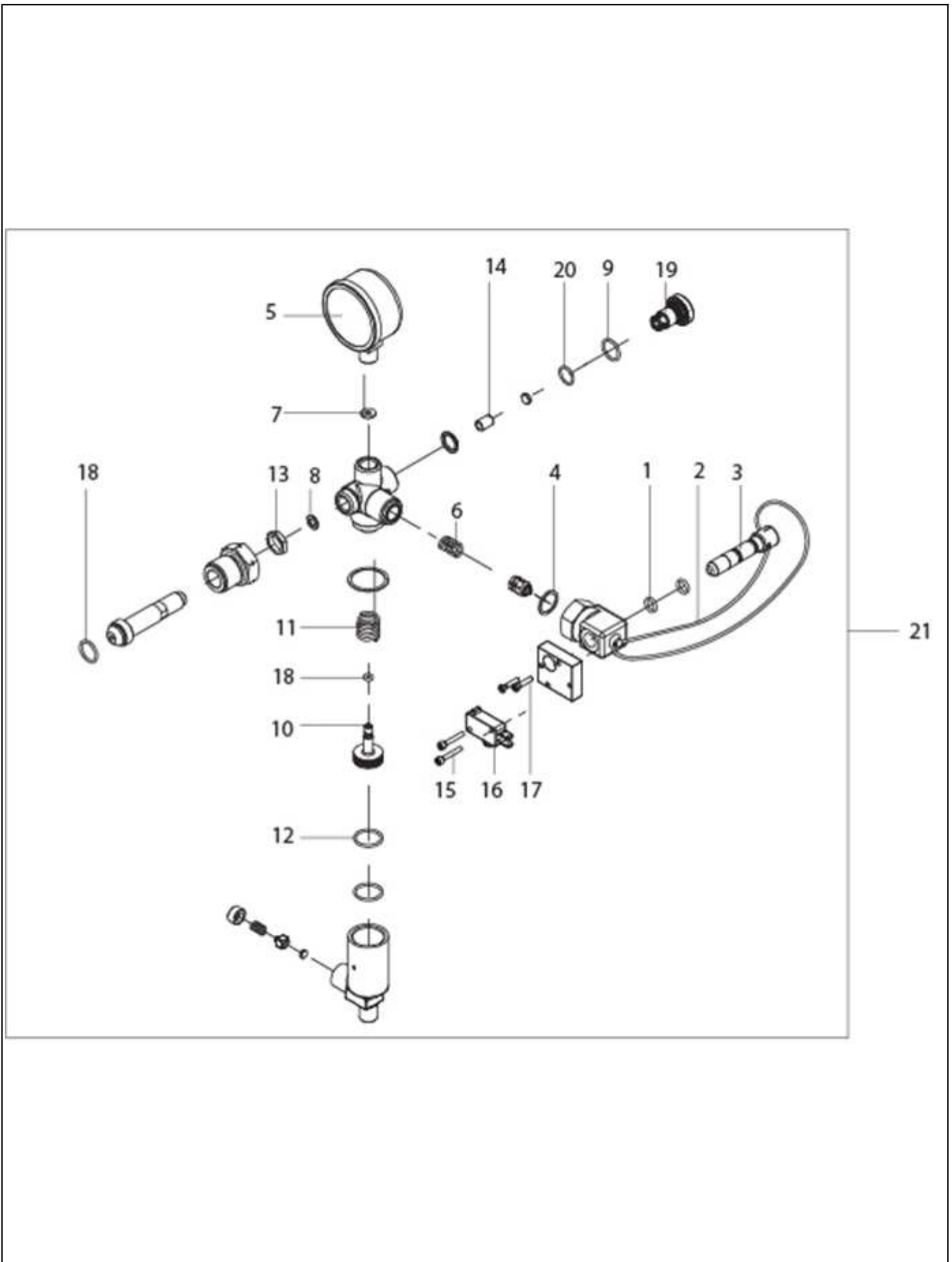
**Two Stage CNG Regulator**



**PLATE-35****Two Stage CNG Regulator**

<b>Fig. No.</b>	<b>Part No.</b>	<b>Description</b>	<b>Qty</b>	<b>Remarks</b>
1	932207	DIAPHRAGM SUB ASSY.	1	
2	932208	WASHER	4	
3	932210	LEVER PIN	1	
4	932211	SEAT	1	
5	932229	PLUG	1	
6	932232	FLANGE SCREW	12	
7	932212	SPRING GUIDE	1	
8	925781	O RING	1	
9	932226	IDLE SCREW	1	
10	932213	SPRING	1	
11	932215	DIAPHRAGM SUB ASSY.	1	
12	932214	WASHER	1	
13	932218	SEAT	1	
14	932219	WASHER	1	
15	932230	BREATHER-I	1	
16	932216	SPRING	1	
17	932217	LEVER SUB ASSY.	1	
18	932220	CHEESE HEAD SCREW	1	
19	932221	O RING	1	
20	932222	PLUG	1	
21	932223	O RING	1	
22	932225	FLOW ADJUSTING SCREW	1	
23	929929	O'RING	1	
24	932224	FLOW CONTROL BODY	1	
25	932227	BREATHER HOSE	1	
26	932228	CLAMP	2	
27	932240	O RING	1	
28	932231	O RING	1	
29	932254	CLIP	1	
30	925768	PAD	1	
31	932255	FLANGE SCREW	1	
32	932308	2 STAGE CNG REGULATOR-(PAXX 200)	1	

**PLATE-36**  
**First Stage Reduction Unit**

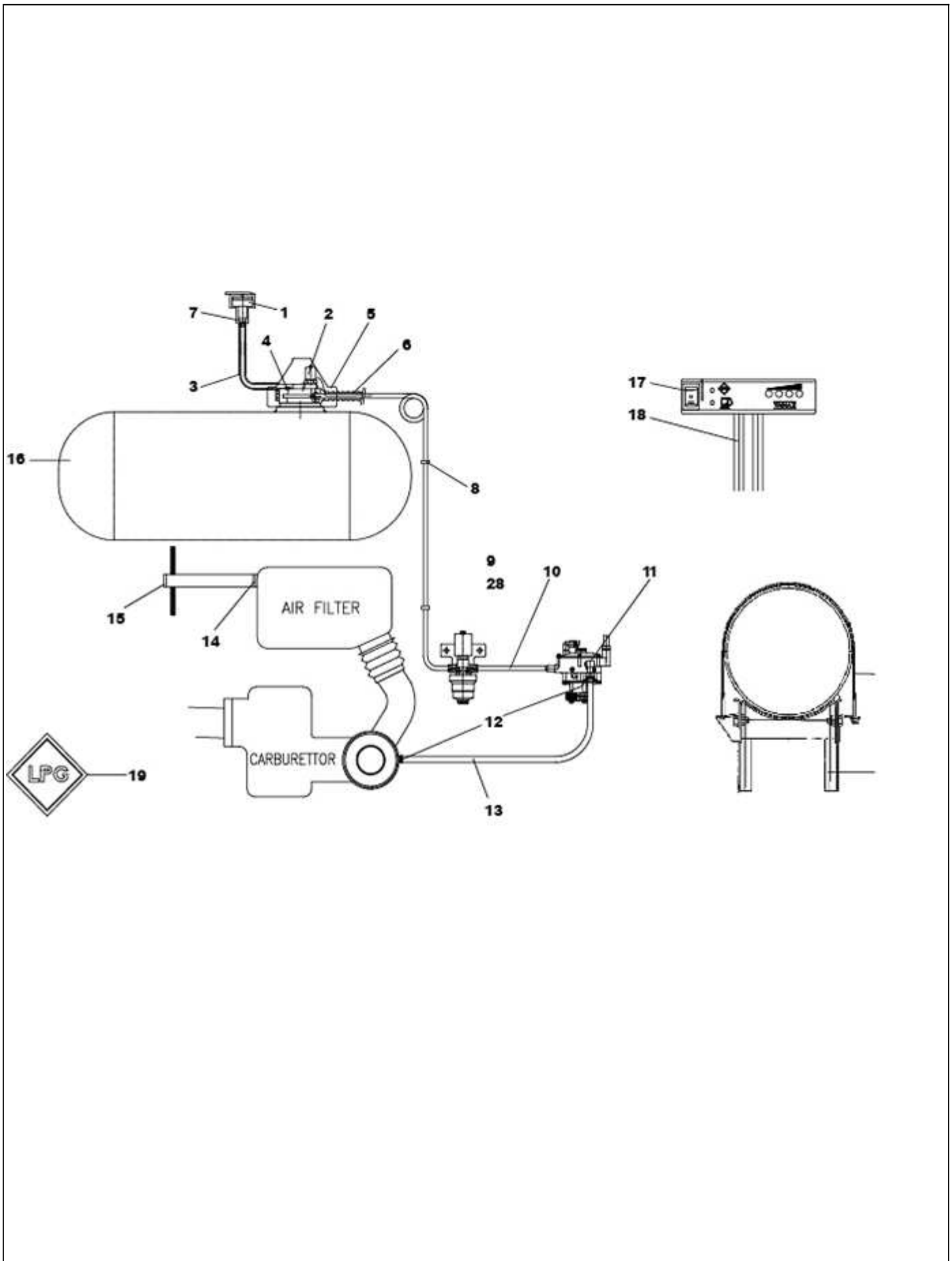




**PLATE-36****First Stage Reduction Unit**

<b>Fig. No.</b>	<b>Part No.</b>	<b>Description</b>	<b>Qty</b>	<b>Remarks</b>
1	929931	O RING	2	
2	929933	STRING	1	
3	661399	DUST PLUG	1	
4	929934	SEALING WASHER	1	
5	932300	CNG PRESSURE GAUGE WITH SENSOR	1	
6	929935	SPRING	1	
7	932233	WASHER	1	
8	929936	WASHER	1	
9	932235	O RING	2	
10	932237	PISTON SUB ASSY.	1	
11	932236	SPRING	1	
12	932238	O RING	1	
13	932239	LOCK NUT	1	
14	932243	FILTER	1	
15	929938	PHILIPS HEAD SCREW M3 X 20L	2	
16	929939	MICROSWITCH	1	
17	929940	PHILIPS HEAD SCREW M3 X 15L	2	
18	932240	O RING	1	
19	932241	RETAINER	1	
20	932242	ORING	1	
21	B024131	FIRST STAGE REDUCTION UNIT (HPR)	1	

**PLATE-37**  
**LPG Kit**

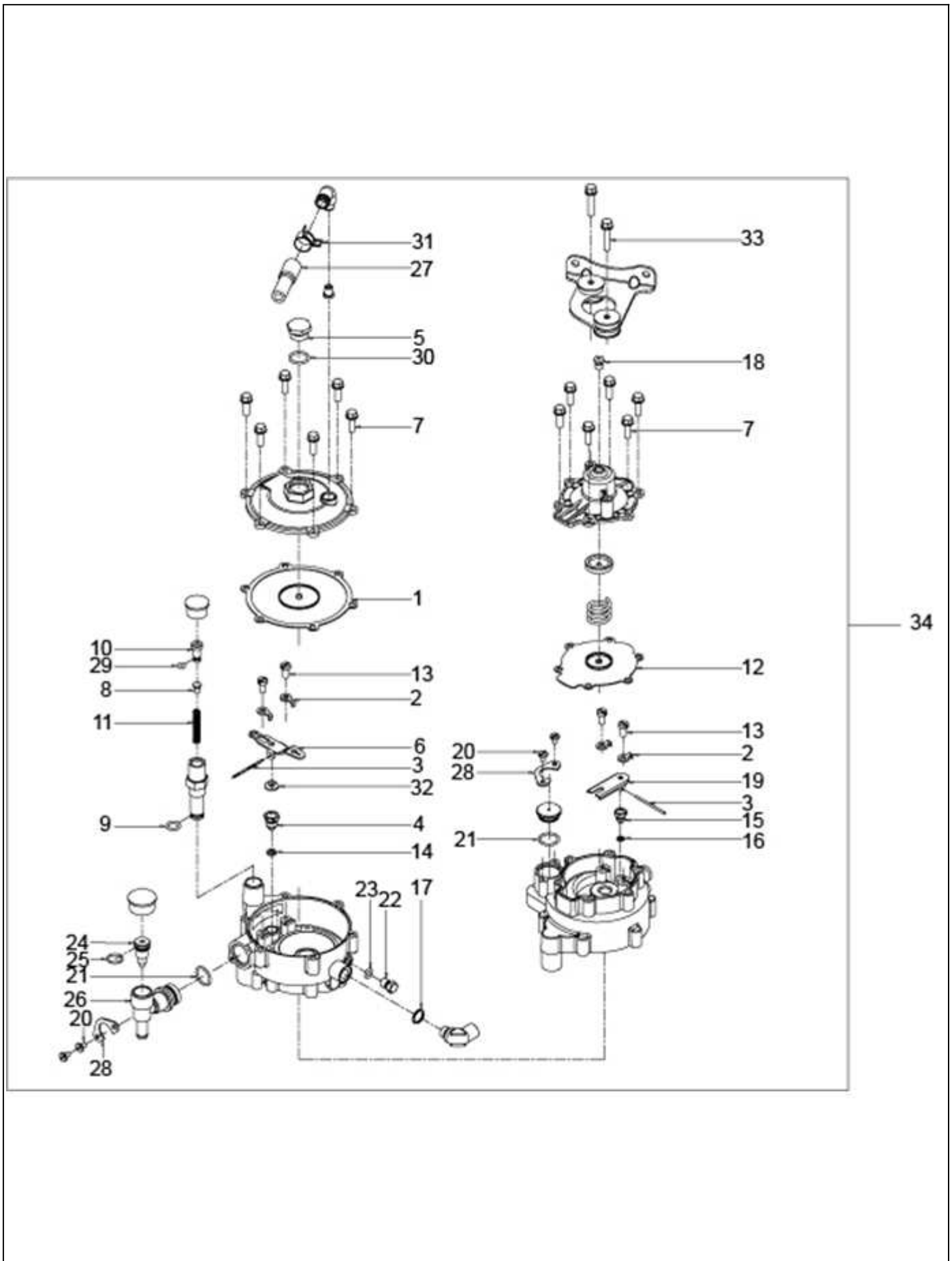


**PLATE-37****LPG Kit**

<b>Fig. No.</b>	<b>Part No.</b>	<b>Description</b>	<b>Qty</b>	<b>Remarks</b>
1	925743	FILLER CONNECTOR WITH CAP	1	
2	643866	MULTI FUNCTION VALVE	1	
2	B073083	MULTI FUNCTION VALVE	1	
3	660197	VENT HOSE ASSY - 1	1	
4	643884	ALLEN SCREW	6	
5	643883	SEAL BOX	1	
6	660196	VENT HOSE ASSY - 2	1	
7	929925	HOUSING ASSEMBLY FOR FILLER CONNECTOR	2	
8	925722	CLAMP FOR COPPER TUBE	2	
9	932269	FILTER SOLENOID VALVE LPG	1	
10	661735	COPPER TUBE ASSY- FILTER TO LPR	1	
11	932309	2 STAGE LPG REGULATOR-(PAXX 200)	1	
12	661910	CLIP	1	
13	932272	HOSE REGULATOR TO MIXER	1	
14	-	RESTRICTOR - 2 FOR LPG	1	
15	-	RESTRICTOR -1 FOE CNG	1	
16	632186	LPG CYLINDER	1	
17	932268	ECU	1	
18	932267	WIRE HARNESS	1	
19	662570	STICKER - LPG	1	
20	643927	ASSY CENTRAL BRACKET	2	
21	632183	RUBBER STRAP	2	
22	632184	RUBBER STRAP UPPER	2	
23	632185	LOWER STRAPS ASSY.	2	
24	932266	MIXER ASSEMBLY	1	
25	925737	FILTER ELEMENT(K-0301-12-050)	1	
26	929949	O RING	1	
27	929948	O RING	1	
28	940064	COIL ASSEMBLY-LPG(K-0440-03-I-170)	1	
29	B009483	CUT OFF SWITCH	1	
30	925742	CONTENT GAUGE(V-5406-450)	1	NI
30	940091	CONTENT GAUGE LPG (ZERO DEGREE)	1	NI
31	920012	SOLENOID SWITCH (MFV)	1	NI

**PLATE-38**

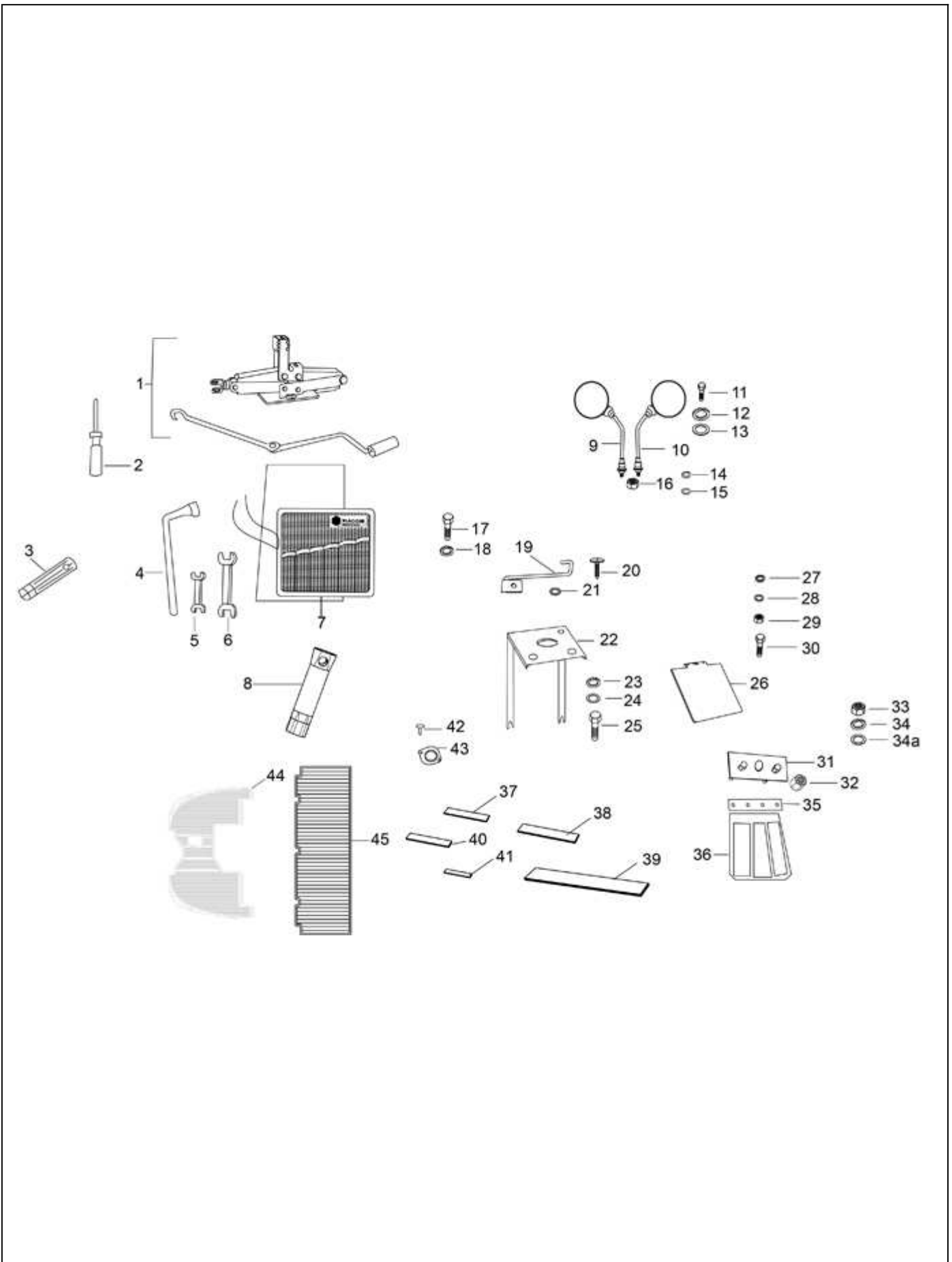
**Two Stage LPG Regulator**



**PLATE-38****Two Stage LPG Regulator**

<b>Fig. No.</b>	<b>Part No.</b>	<b>Description</b>	<b>Qty</b>	<b>Remarks</b>
1	932207	DIAPHRAGM SUB ASSY.	1	
2	932208	WASHER	4	
3	932210	LEVER PIN	1	
4	932263	SEAT	1	
5	932229	PLUG	1	
6	932209	LEVER SUB ASSY	1	
7	932232	FLANGE SCREW	12	
8	932212	SPRING GUIDE	1	
9	925781	O RING	1	
10	932226	IDLE SCREW	1	
11	932264	SPRING	1	
12	932215	DIAPHRAGM SUB ASSY.	1	
13	661909	CHEESE HEAD SCREW	4	
14	932214	WASHER	1	
15	932218	SEAT	1	
16	932219	WASHER	1	
17	920008	WASHER	1	
18	932230	BREATHER-I	1	
19	932217	LEVER SUB ASSY.	1	
20	932220	CHEESE HEAD SCREW	1	
21	932221	O RING	1	
22	932222	PLUG	1	
23	925783	O RING	1	
24	932225	FLOW ADJUSTING SCREW	1	
25	929929	O'RING	1	
26	932224	FLOW CONTROL BODY	1	
27	932227	BREATHER HOSE	1	
28	932228	CLAMP	2	
29	932240	O RING	1	
30	932231	O RING	1	
31	932270	CLIP	1	
32	925768	PAD	1	
33	932255	FLANGE SCREW	1	
34	932309	2 STAGE LPG REGULATOR-(PAXX 200)	1	

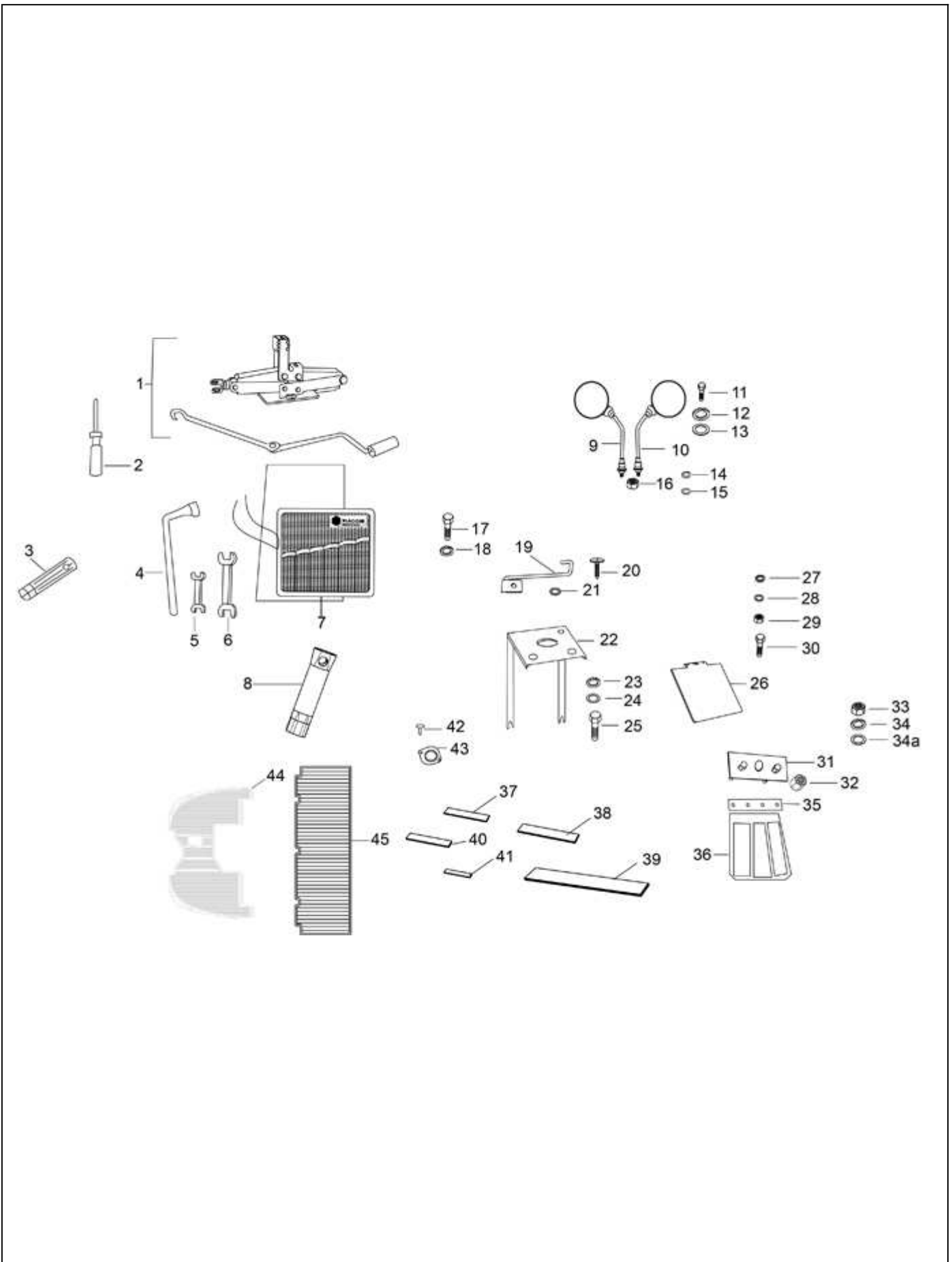
**PLATE-39**  
**TOOLS & ACCESSORIES**



**PLATE-39****TOOLS & ACCESSORIES**

Fig. No.	Part No.	Description	Qty	Remarks
1	B023718	JACK ASSLY (APE CITY) 0.5T	1	
2	567458	SCREW DRIVER (-)&(+) 80	1	
3	675378	SOCKET WRENCH 16	1	
4	B001494	L TYPE SPANNER-A/F -16	1	
5	567454	DOUBLE END SPANNER7/8	1	
6	567456	DOUBLE END SPANNER 12/14	1	
7	B041876	TOOL BAG	1	
8	B041787	SPARK PLUG SPANNER	1	
9	B001948R	REAR VIEW MIRROR LH	1	
10	B001949R	REAR VIEW MIRROR RH	1	
11	31118	SCREW M8X20	2	
12	16408	SPRING WASHER M8	6	
13	3058	PLAIN WASHER 15X8.4X1.5	20	
14	16408	SPRING WASHER M8	4	
15	3058	PLAIN WASHER 15X8.4X1.5	4	
16	20108	HEX NUT M8	4	
17	31116	HEX HD. SCREW M8X16	1	
18	16408	SPRING WASHER M8	1	
19	B001887	STOPPER ASSLY.	1	
20	15911	PAN SELF TAP SCREW 8SG X 16 AB	1	
21	16670	PLAIN WASHER 12X4.5X1	1	
22	B002334	FARE METER MTG. BKT.	1	
23	16408	SPRING WASHER M8	4	
24	3058	PLAIN WASHER 15X8.4X1.5	4	
25	31118	SCREW M8X20	4	
26	643661	LICENSE PLATE MTG. BKT.	1	
27	13861	PLAIN WASHER 20X8.2X2.5	2	
28	12540	SPRING WASHER M8	2	
29	20108	HEX NUT M8	2	
30	30072	HEX HEAD BOLT M8 X 35	2	
31	B002208	STRAP WITH PIN SPARE WHEEL MTG.	1	
32	20108	HEX NUT M8	2	
33	20106	HEX NUT M6	12	
34	16406	SPRING WASHER	12	
34a	13880	METALIC PLAIN WASHER	12	
35	B001788	CLAMP MUDFLAP REAR	2	
36	B001789	MUDFLAP MUDGAURD REAR	2	
37	B006892	BEADING	2	
38	B006600	BEADING (RUBBER PACKING REAR MIDDLE)	1	
39	B006792	BEADING (INSULATION ENG. COMP. COVER)	2	
40	B006599	BEADING (RUBBER PACKING REAR LH/RH)	2	
41	B006598	BEADING (RUBBER PACKING LH/RH)	4	

**PLATE-39**  
**TOOLS & ACCESSORIES**





**PLATE-39****TOOLS & ACCESSORIES**

<b>Fig. No.</b>	<b>Part No.</b>	<b>Description</b>	<b>Qty</b>	<b>Remarks</b>
42	8451	PAN SELF TP SCREW 6 SGX13 AB	4	
43	B003076	COVER SHOCKER MTG. HOLE	2	
44	B003649	FRONT CARPET (PETROL/LPG)	1	
45	B001480	CARPET PASS FOOT REST	1	

# **PARTS INDEX**

**ape city 200**

<b>PART NO</b>	<b>BLOCK</b>	<b>PART NO</b>	<b>BLOCK</b>	<b>PART NO</b>	<b>BLOCK</b>
000267	PLATE-11	120170018	PLATE-2	128307019	PLATE-17
006965	PLATE-27	120212012	PLATE-9	128486	PLATE-23
006965	PLATE-27	120302013	PLATE-9	128633	PLATE-23
008432	PLATE-28	121131019	PLATE-3	129011019	PLATE-3
018639	PLATE-12	12136	PLATE-27	129012013	PLATE-3
018639	PLATE-15	12138	PLATE-25	132129	PLATE-5
018639	PLATE-7	122032014	PLATE-16	132134SR	PLATE-5
107038	PLATE-26	124102019	PLATE-17	132136R	PLATE-5
107718	PLATE-24	125181	PLATE-25	132244	PLATE-5
107827	PLATE-23	125289	PLATE-24	136434	PLATE-24
107871	PLATE-24	12536	PLATE-31	136451	PLATE-23
108785	PLATE-26	12536	PLATE-32	136916	PLATE-26
108788	PLATE-26	12540	PLATE-39	137235	PLATE-24
108834	PLATE-18	125411	PLATE-26	138237	PLATE-26
108873	PLATE-24	12546	PLATE-27	13861	PLATE-39
108874	PLATE-24	126003011	PLATE-9.1	13861	PLATE-21
109012	PLATE-20	126021013	PLATE-9.1	13880	PLATE-39
109064	PLATE-24	126022017	PLATE-9.1	13880	PLATE-19
109066	PLATE-24	126050014	PLATE-9.1	13880	PLATE-29.1
109117	PLATE-24	126052012	PLATE-9.1	13880	PLATE-29.1
109227	PLATE-25	126053016	PLATE-9.1	141925	PLATE-25
109249	PLATE-19	126054010	PLATE-9.1	150417	PLATE-33
109265	PLATE-24	126060019	PLATE-9.1	150915R	PLATE-27
109404	PLATE-25	126902	PLATE-25	15335	PLATE-18
109635	PLATE-25	127012019	PLATE-2	15478	PLATE-18
109775	PLATE-25	127013013	PLATE-2	15594	PLATE-23
109892	PLATE-23	127016015	PLATE-6	15618	PLATE-25
111353	PLATE-6	127111011	PLATE-17	15640	PLATE-27
111356	PLATE-17	127176	PLATE-28	15641	PLATE-28
111498	PLATE-17	127177	PLATE-28	157103	PLATE-23
112867R	PLATE-17	127179	PLATE-28	157103	PLATE-23
112898	PLATE-6	127185012	PLATE-2	15727	PLATE-28
113278	PLATE-17	127460010	PLATE-2	15900	PLATE-28
114121	PLATE-28	127530011	PLATE-3	15911	PLATE-39
116831	PLATE-29.1	127640012	PLATE-9	15996	PLATE-17
117401	PLATE-9	127641016	PLATE-9.1	15996	PLATE-27
117402	PLATE-9	127692015	PLATE-3	16319	PLATE-25
117404	PLATE-9	127693019	PLATE-3	16405	PLATE-19
118806	PLATE-25	127754019	PLATE-3	16405	PLATE-20
119278	PLATE-26	127757011	PLATE-3	16405	PLATE-27
119735	PLATE-28	127758015	PLATE-3	16405	PLATE-28
119975	PLATE-28	12790	PLATE-23	16406	PLATE-39
120164019	PLATE-2	128081017	PLATE-9.1	16406	PLATE-9.1

<b>PART NO</b>	<b>BLOCK</b>	<b>PART NO</b>	<b>BLOCK</b>	<b>PART NO</b>	<b>BLOCK</b>
16406	PLATE-10	16670	PLATE-29	1A003606R	PLATE-16
16406	PLATE-17	17702	PLATE-9.1	1A003607R	PLATE-16
16406	PLATE-18	17702	PLATE-6	1A004221	PLATE-8
16406	PLATE-25	177559	PLATE-23	1A004222	PLATE-8
16406	PLATE-26	177559	PLATE-28	1A004223	PLATE-8
16406	PLATE-27	178610	PLATE-18	1A004224	PLATE-8
16406	PLATE-27	180431	PLATE-24	1A004225	PLATE-8
16406	PLATE-27	183511	PLATE-17	1A004644	PLATE-3
16406	PLATE-29	185843	PLATE-28	1A004807	PLATE-5
16406	PLATE-29.1	18630	PLATE-20	1A004939	PLATE-10
16406	PLATE-30	190462	PLATE-20	1A005176	PLATE-6
16408	PLATE-39	196302	PLATE-23	1A007850	PLATE-16
16408	PLATE-39	197071	PLATE-33	1A008613	PLATE-11
16408	PLATE-39	198618	PLATE-17	1A009762	PLATE-9
16408	PLATE-39	1A000024	PLATE-12	1A010696R	PLATE-15
16408	PLATE-10	1A000236	PLATE-17	1D000425R	PLATE-15
16408	PLATE-18	1A000402	PLATE-15	1D000671R	PLATE-11
16408	PLATE-18	1A000404	PLATE-11	1U000020	PLATE-10
16408	PLATE-18	1A000542	PLATE-8	1U000023	PLATE-14
16408	PLATE-20	1A000708	PLATE-9	1U000024	PLATE-14
16408	PLATE-21	1A000831	PLATE-12	1U000025	PLATE-14
16408	PLATE-23	1A001114R	PLATE-13	20104	PLATE-20
16408	PLATE-23	1A001187R	PLATE-15	20104	PLATE-21
16408	PLATE-26	1A001283	PLATE-9	20105	PLATE-20
16408	PLATE-26	1A001455	PLATE-3	20105	PLATE-27
16408	PLATE-29	1A001456	PLATE-3	20105	PLATE-27
16408	PLATE-29.1	1A001457	PLATE-2	20105	PLATE-27
16408	PLATE-29.1	1A001794	PLATE-9	20105	PLATE-28
16408	PLATE-7.1	1A001795	PLATE-9	20106	PLATE-39
16410	PLATE-17	1A001862	PLATE-9	20106	PLATE-26
16410	PLATE-18	1A001862	PLATE-9	20106	PLATE-27
16410	PLATE-18	1A001862	PLATE-9.1	20106	PLATE-27
16410	PLATE-23	1A001864	PLATE-9.1	20106	PLATE-29.1
16410	PLATE-23	1A001905R	PLATE-4	20106	PLATE-29.1
16410	PLATE-24	1A002305	PLATE-7	20106	PLATE-33
16410	PLATE-24	1A002661	PLATE-15	20108	PLATE-39
16410	PLATE-25	1A002685	PLATE-9	20108	PLATE-39
165121014	PLATE-9	1A002691	PLATE-10	20108	PLATE-39
165155R	PLATE-5	1A002691	PLATE-12	20108	PLATE-18
16620	PLATE-25	1A002947	PLATE-4	20108	PLATE-18
16626	PLATE-25	1A003603R	PLATE-16	20108	PLATE-18
16670	PLATE-39	1A003604R	PLATE-16	20108	PLATE-20
16670	PLATE-20	1A003605R	PLATE-16	20108	PLATE-21

<b>PART NO</b>	<b>BLOCK</b>	<b>PART NO</b>	<b>BLOCK</b>	<b>PART NO</b>	<b>BLOCK</b>
20108	PLATE-21	286328	PLATE-23	31088	PLATE-19
20108	PLATE-23	286406	PLATE-3	31088	PLATE-27
20108	PLATE-26	288730	PLATE-5	31088	PLATE-27
20108	PLATE-26	30072	PLATE-39	31088	PLATE-27
20108	PLATE-29.1	30072	PLATE-29.1	31088	PLATE-29
20108	PLATE-29.1	30074	PLATE-10	31088	PLATE-29.1
20110	PLATE-18	30074	PLATE-29.1	31088	PLATE-30
20110	PLATE-23	30103	PLATE-25	31089	PLATE-10
20110	PLATE-23	30104	PLATE-25	31089	PLATE-25
20110	PLATE-24	30209R	PLATE-24	31089	PLATE-29.1
20359	PLATE-23	30242	PLATE-20	31092	PLATE-17
21110	PLATE-24	3054	PLATE-17	31116	PLATE-39
21110	PLATE-25	3054	PLATE-20	31116	PLATE-29
21118	PLATE-23	3054	PLATE-21	31116	PLATE-29.1
21216	PLATE-26	3054	PLATE-27	31118	PLATE-39
217280	PLATE-19	3055	PLATE-25	31118	PLATE-39
219528	PLATE-28	3055	PLATE-27	31118	PLATE-21
220575	PLATE-5	3055	PLATE-27	31118	PLATE-7.1
226596	PLATE-23	3055	PLATE-27	31119	PLATE-18
226661	PLATE-23	3055	PLATE-28	31119	PLATE-29.1
226662	PLATE-23	3056	PLATE-9.1	31122	PLATE-26
229524	PLATE-26	3056	PLATE-10	31154	PLATE-18
231370	PLATE-17	3056	PLATE-27	411311	PLATE-9
231370	PLATE-18	3056	PLATE-27	414837	PLATE-9
231370	PLATE-18	3056	PLATE-29	432142	PLATE-9
231370	PLATE-23	3056	PLATE-30	433122	PLATE-10
231370	PLATE-23	3058	PLATE-39	434541	PLATE-14
231370	PLATE-23	3058	PLATE-39	434716	PLATE-10
237246	PLATE-23	3058	PLATE-39	435571	PLATE-14
2383	PLATE-18	3058	PLATE-21	436783	PLATE-11
2383	PLATE-18	3058	PLATE-21	436947	PLATE-10
2383	PLATE-29.1	3058	PLATE-26	479986	PLATE-2
243303R	PLATE-23	3058	PLATE-29	48197	PLATE-26
265091	PLATE-18	3058	PLATE-29.1	482335	PLATE-14
267065	PLATE-18	3068	PLATE-23	484034	PLATE-9
267065	PLATE-23	31054	PLATE-9.1	485655	PLATE-9
267068	PLATE-23	31054	PLATE-25	485703	PLATE-10
269755	PLATE-10	31056	PLATE-19	485868	PLATE-13
272178	PLATE-18	31057	PLATE-27	523012017	PLATE-16
285536	PLATE-9	31058	PLATE-27	526023017	PLATE-9.1
286328	PLATE-18	31058	PLATE-27	566545	PLATE-24
286328	PLATE-18	31088	PLATE-19	567454	PLATE-39
286328	PLATE-18	31088	PLATE-19	567456	PLATE-39

<b>PART NO</b>	<b>BLOCK</b>	<b>PART NO</b>	<b>BLOCK</b>	<b>PART NO</b>	<b>BLOCK</b>
567458	PLATE-39	587670R	PLATE-28	612455	PLATE-26
567461	PLATE-26	587671R	PLATE-27	616649	PLATE-21
567473	PLATE-24	587812	PLATE-33	616738R	PLATE-19
567498R	PLATE-17	587822	PLATE-33	6173	PLATE-26
567498R	PLATE-27	587829	PLATE-26	632056	PLATE-29
567573R	PLATE-28	587902	PLATE-25	632158	PLATE-25
567581	PLATE-27	587904	PLATE-25	632183	PLATE-37
567593	PLATE-28	587928	PLATE-26	632184	PLATE-37
567690	PLATE-26	587963	PLATE-20	632185	PLATE-37
567700	PLATE-27	587974R	PLATE-22	632186	PLATE-37
567706	PLATE-27	587974R	PLATE-28	632247	PLATE-18
567746	PLATE-26	5969	PLATE-26	632285	PLATE-27
567747	PLATE-27	604502	PLATE-26	632292	PLATE-27
567878R	PLATE-19	604506	PLATE-27	632299	PLATE-18
567897	PLATE-26	604535	PLATE-23	632477R	PLATE-28
567898	PLATE-26	604543	PLATE-25	632478R	PLATE-28
567899	PLATE-26	604548	PLATE-22	632508	PLATE-21
567920	PLATE-26	604553	PLATE-7	632594	PLATE-18
567920	PLATE-26	604557	PLATE-27	632667	PLATE-19
567990	PLATE-24	604560	PLATE-9.1	632995	PLATE-27
567991	PLATE-24	604560	PLATE-33	63440	PLATE-31
567992	PLATE-24	604667R	PLATE-27	63440	PLATE-32
567993	PLATE-24	604717	PLATE-26	6411	PLATE-26
568095	PLATE-24	604756	PLATE-19	641541	PLATE-9
568096	PLATE-29	604756	PLATE-21	643140	PLATE-11
568103	PLATE-27	604756	PLATE-7	643149	PLATE-9
568140	PLATE-18	604758	PLATE-24	643367	PLATE-10
568161	PLATE-26	604759	PLATE-24	643661	PLATE-39
568671	PLATE-22	604781	PLATE-33	643691	PLATE-22
568692	PLATE-20	604782	PLATE-33	643692	PLATE-26
568692	PLATE-27	604877	PLATE-26	643741	PLATE-23
568703	PLATE-29.1	604908	PLATE-19	643772R	PLATE-24
568721	PLATE-27	604909	PLATE-19	643850	PLATE-34
568737	PLATE-26	604948	PLATE-18	643866	PLATE-37
569150	PLATE-24	604954	PLATE-21	643883	PLATE-37
569165	PLATE-27	604984	PLATE-22	643884	PLATE-37
569197	PLATE-27	605183	PLATE-26	643927	PLATE-37
569244	PLATE-18	605389	PLATE-22	643964	PLATE-34
569375	PLATE-18	60565	PLATE-25	644814	PLATE-26
58295R	PLATE-11	6066	PLATE-23	644824	PLATE-19
587617	PLATE-23	6066	PLATE-24	645041	PLATE-27
587633	PLATE-33	6078	PLATE-27	6450	PLATE-17
587670R	PLATE-22	6078	PLATE-27	645124	PLATE-33

<b>PART NO</b>	<b>BLOCK</b>	<b>PART NO</b>	<b>BLOCK</b>	<b>PART NO</b>	<b>BLOCK</b>
652105	PLATE-19	75708	PLATE-24	925598	PLATE-28
652253R	PLATE-21	78307	PLATE-29.1	925722	PLATE-37
658810	PLATE-28	808000826	PLATE-20	925737	PLATE-37
660109	PLATE-27	8080	PLATE-22	925742	PLATE-37
660168	PLATE-21	8080	PLATE-28	925743	PLATE-37
660168	PLATE-22	819064530	PLATE-9	925768	PLATE-38
660196	PLATE-37	819064530	PLATE-9.1	925768	PLATE-35
660197	PLATE-37	822051647	PLATE-6	925781	PLATE-38
660322	PLATE-22	825080209	PLATE-9.1	925781	PLATE-35
660820	PLATE-30	82948R	PLATE-4	925783	PLATE-38
660826R	PLATE-22	829593	PLATE-4	925786	PLATE-27
660826R	PLATE-28	829661	PLATE-9	925888	PLATE-19
661230	PLATE-24	830061	PLATE-4	929925	PLATE-37
661231	PLATE-24	83040R	PLATE-13	929929	PLATE-38
661266	PLATE-23	83041R	PLATE-13	929929	PLATE-35
661267	PLATE-23	83053R	PLATE-10	929931	PLATE-36
661399	PLATE-36	83054R	PLATE-10	929933	PLATE-36
661445	PLATE-20	83062R	PLATE-13	929934	PLATE-36
661492	PLATE-30	83065R	PLATE-9	929935	PLATE-36
661570P	PLATE-23	841005506	PLATE-6	929936	PLATE-36
661571P	PLATE-23	842001600	PLATE-2	929938	PLATE-36
661735	PLATE-37	842003000	PLATE-17	929939	PLATE-36
661909	PLATE-38	842004808	PLATE-16	929940	PLATE-36
661910	PLATE-37	843000500	PLATE-6	929948	PLATE-37
661925	PLATE-28	843000809	PLATE-2	929949	PLATE-37
662137	PLATE-29.1	8451	PLATE-39	932207	PLATE-38
662422	PLATE-24	8451	PLATE-27	932207	PLATE-35
662423	PLATE-24	8455	PLATE-28	932208	PLATE-38
662570	PLATE-37	847928	PLATE-14	932208	PLATE-35
6650	PLATE-23	861990	PLATE-34	932209	PLATE-38
6733	PLATE-24	87067	PLATE-24	932210	PLATE-38
675378	PLATE-39	8771	PLATE-24	932210	PLATE-35
680070	PLATE-11	880255211	PLATE-17	932211	PLATE-35
680075	PLATE-11	880255211R	PLATE-9	932212	PLATE-38
680164	PLATE-11	880305509R	PLATE-6	932212	PLATE-35
680165	PLATE-11	920008	PLATE-38	932213	PLATE-35
680166	PLATE-27	920012	PLATE-37	932214	PLATE-38
680217	PLATE-33	925574	PLATE-32	932214	PLATE-35
7066R	PLATE-6	925579	PLATE-28	932215	PLATE-38
71633	PLATE-27	925581	PLATE-28	932215	PLATE-35
71633	PLATE-28	925584	PLATE-27	932216	PLATE-35
74414	PLATE-24	925588	PLATE-28	932217	PLATE-38
74521	PLATE-24	925590	PLATE-28	932217	PLATE-35

<b>PART NO</b>	<b>BLOCK</b>	<b>PART NO</b>	<b>BLOCK</b>	<b>PART NO</b>	<b>BLOCK</b>
932218	PLATE-38	932250	PLATE-34	B001301	PLATE-24
932218	PLATE-35	932252	PLATE-34	B001302	PLATE-24
932219	PLATE-38	932253	PLATE-34	B001316	PLATE-23
932219	PLATE-35	932254	PLATE-35	B001317	PLATE-23
932220	PLATE-38	932255	PLATE-38	B001319	PLATE-23
932220	PLATE-35	932255	PLATE-35	B001323	PLATE-24
932221	PLATE-38	932263	PLATE-38	B001386	PLATE-20
932221	PLATE-35	932264	PLATE-38	B001397	PLATE-31
932222	PLATE-38	932266	PLATE-37	B001402	PLATE-29
932222	PLATE-35	932267	PLATE-37	B001423	PLATE-29
932223	PLATE-35	932268	PLATE-37	B001430	PLATE-19
932224	PLATE-38	932269	PLATE-37	B001480	PLATE-39
932224	PLATE-35	932270	PLATE-38	B001481R	PLATE-22
932225	PLATE-38	932272	PLATE-37	B001493	PLATE-29.1
932225	PLATE-35	932273	PLATE-34	B001494	PLATE-39
932226	PLATE-38	932274	PLATE-34	B001581	PLATE-26
932226	PLATE-35	932275	PLATE-34	B001635	PLATE-29
932227	PLATE-38	932276	PLATE-34	B001650CED	PLATE-29
932227	PLATE-35	932277	PLATE-34	B001788	PLATE-39
932228	PLATE-38	932279	PLATE-7.1	B001789	PLATE-39
932228	PLATE-35	932290	PLATE-27	B001887	PLATE-39
932229	PLATE-38	932291	PLATE-27	B001948R	PLATE-39
932229	PLATE-35	932292	PLATE-27	B001949R	PLATE-39
932230	PLATE-38	932300	PLATE-34	B002183	PLATE-30
932230	PLATE-35	932300	PLATE-36	B002183	PLATE-30
932231	PLATE-38	932308	PLATE-34	B002208	PLATE-39
932231	PLATE-35	932308	PLATE-35	B002209R	PLATE-22
932232	PLATE-38	932309	PLATE-37	B002210	PLATE-29
932232	PLATE-35	932309	PLATE-38	B002278	PLATE-19
932233	PLATE-36	940028	PLATE-5	B002334	PLATE-39
932235	PLATE-36	940031	PLATE-7.1	B002338	PLATE-26
932236	PLATE-36	940032	PLATE-7.1	B002344	PLATE-23
932237	PLATE-36	940033	PLATE-7.1	B002412	PLATE-21
932238	PLATE-36	940034	PLATE-7.1	B002470	PLATE-23
932239	PLATE-36	940037	PLATE-9	B002481	PLATE-23
932240	PLATE-38	940064	PLATE-37	B002482	PLATE-23
932240	PLATE-35	940091	PLATE-37	B002486	PLATE-23
932240	PLATE-36	963486	PLATE-14	B002539	PLATE-21
932241	PLATE-36	97756	PLATE-29.1	B002625	PLATE-19
932242	PLATE-36	AP9150472	PLATE-9	B002626	PLATE-19
932243	PLATE-36	B001225	PLATE-32	B002628	PLATE-19
932245	PLATE-34	B001228	PLATE-32	B002630	PLATE-19
932248	PLATE-34	B001273	PLATE-29.1	B002823	PLATE-25



<b>PART NO</b>	<b>BLOCK</b>	<b>PART NO</b>	<b>BLOCK</b>	<b>PART NO</b>	<b>BLOCK</b>
B003002	PLATE-31	B006509	PLATE-31	B015817	PLATE-17
B003002	PLATE-32	B006593	PLATE-29	B015818	PLATE-5
B003003	PLATE-31	B006598	PLATE-39	B015862	PLATE-3
B003003	PLATE-32	B006599	PLATE-39	B015863	PLATE-2
B003004	PLATE-31	B006600	PLATE-39	B015872	PLATE-9
B003004	PLATE-32	B006792	PLATE-39	B015873	PLATE-9
B003008	PLATE-31	B006851	PLATE-25	B015875	PLATE-17
B003011	PLATE-32	B006852	PLATE-25	B015888	PLATE-15
B003012	PLATE-32	B006853	PLATE-25	B015931	PLATE-12
B003014	PLATE-32	B006892	PLATE-39	B015941	PLATE-9
B003017	PLATE-31	B008116	PLATE-24	B015942	PLATE-15
B003030	PLATE-29	B008117	PLATE-24	B015943	PLATE-4
B003038	PLATE-34	B008177	PLATE-24	B016016	PLATE-7
B003076	PLATE-39	B008893	PLATE-18	B016033	PLATE-3
B003110	PLATE-30	B008898	PLATE-18	B016120	PLATE-15
B003114	PLATE-19	B008921	PLATE-18	B016144	PLATE-11
B003115	PLATE-19	B008924	PLATE-7.1	B016147	PLATE-15
B003155	PLATE-5	B009483	PLATE-37	B016148	PLATE-15
B003228	PLATE-26	B009483	PLATE-34	B016160	PLATE-3
B003261	PLATE-29.1	B009582	PLATE-19	B016160	PLATE-4
B003282	PLATE-19	B009603	PLATE-23	B016170	PLATE-17
B003286	PLATE-18	B009605	PLATE-23	B016192	PLATE-12
B003300	PLATE-31	B014233	PLATE-7.1	B016195	PLATE-10
B003300	PLATE-32	B014233	PLATE-13	B016205	PLATE-16
B003324	PLATE-31	B014555	PLATE-14	B016206	PLATE-16
B003325	PLATE-31	B014684	PLATE-10	B016368	PLATE-10
B003327	PLATE-32	B014705	PLATE-10	B016472	PLATE-2
B003328	PLATE-32	B014706	PLATE-10	B016620	PLATE-12
B003330	PLATE-32	B014732	PLATE-10	B016621	PLATE-17
B003331	PLATE-32	B014755	PLATE-9	B016621	PLATE-6
B003358	PLATE-29.1	B014760	PLATE-13	B016774	PLATE-13
B003422	PLATE-29	B014996	PLATE-13	B016822	PLATE-8
B003502	PLATE-29	B014997	PLATE-13	B016823	PLATE-8
B003605	PLATE-7.1	B015017	PLATE-13	B016824	PLATE-8
B003649	PLATE-39	B015019	PLATE-13	B016825	PLATE-8
B003652	PLATE-29.1	B015026	PLATE-4	B016826	PLATE-8
B003654	PLATE-29	B015043	PLATE-13	B016827	PLATE-8
B003657	PLATE-29.1	B015288	PLATE-10	B016828	PLATE-8
B003658	PLATE-29.1	B015483	PLATE-13	B016829	PLATE-8
B003855	PLATE-18	B015591	PLATE-9	B016834	PLATE-8
B003924	PLATE-16	B015592	PLATE-9	B016856	PLATE-9
B003929	PLATE-19	B015598	PLATE-9	B016869	PLATE-8
B003978	PLATE-21	B015816	PLATE-17	B016939	PLATE-14

<b>PART NO</b>	<b>BLOCK</b>	<b>PART NO</b>	<b>BLOCK</b>	<b>PART NO</b>	<b>BLOCK</b>
B017042	PLATE-4	B018978	PLATE-7	B024516	PLATE-29.1
B017113	PLATE-13	B018990	PLATE-17	B024520	PLATE-29.1
B017133	PLATE-17	B018991	PLATE-17	B024521	PLATE-29.1
B017134	PLATE-17	B019214	PLATE-6	B024532	PLATE-28
B017135	PLATE-5	B019220	PLATE-2	B024542	PLATE-29.1
B017165	PLATE-14	B019246	PLATE-9	B024577	PLATE-25
B017177	PLATE-16	B019285	PLATE-10	B024579	PLATE-25
B017178	PLATE-9	B019289	PLATE-7	B024580	PLATE-25
B017189	PLATE-15	B019317	PLATE-14	B024581	PLATE-25
B017230	PLATE-10	B019342	PLATE-8	B024601R	PLATE-34
B017323	PLATE-13	B019343	PLATE-8	B024614	PLATE-17
B017336	PLATE-10	B019344	PLATE-8	B024637BY	PLATE-21
B017377	PLATE-12	B019350	PLATE-10	B024637GY	PLATE-21
B017431	PLATE-13	B019425	PLATE-15	B024641	PLATE-27
B017438	PLATE-10	B023718	PLATE-39	B024642	PLATE-27
B017443	PLATE-7	B023727R	PLATE-27	B024642	PLATE-28
B017456	PLATE-10	B023727R	PLATE-27	B024643	PLATE-27
B017493	PLATE-6	B023890	PLATE-3	B024643	PLATE-28
B017541	PLATE-8	B023909	PLATE-33	B024645	PLATE-21
B017542	PLATE-8	B023912	PLATE-33	B024683	PLATE-22
B017746	PLATE-13	B023915	PLATE-33	B024684	PLATE-22
B017921	PLATE-10	B023916	PLATE-33	B024694	PLATE-34
B018023	PLATE-12	B023918	PLATE-33	B024774	PLATE-33
B018025	PLATE-12	B023919	PLATE-33	B024787BY	PLATE-21
B018072	PLATE-7	B023940	PLATE-17	B024787EG	PLATE-21
B018356	PLATE-13	B023968	PLATE-30	B024787GY	PLATE-21
B018442	PLATE-7	B024056	PLATE-11	B024790BY	PLATE-21
B018471	PLATE-16	B024113	PLATE-24	B024790EG	PLATE-21
B018472	PLATE-16	B024131	PLATE-36	B024790GY	PLATE-21
B018473	PLATE-16	B024131	PLATE-34	B024835BY	PLATE-29
B018533	PLATE-10	B024168	PLATE-19	B024835EG	PLATE-29
B018546	PLATE-33	B024169	PLATE-22	B024835GY	PLATE-29
B018547	PLATE-33	B024194	PLATE-34	B024838	PLATE-18
B018549	PLATE-2	B024270	PLATE-30	B024855	PLATE-20
B018673	PLATE-6	B024271	PLATE-30	B024892	PLATE-19
B018678	PLATE-3	B024345	PLATE-29	B024936	PLATE-7
B018718	PLATE-9	B024364BY	PLATE-29	B024948R	PLATE-27
B018718	PLATE-13	B024364GY	PLATE-29	B024949R	PLATE-30
B018775	PLATE-7	B024374	PLATE-23	B025598	PLATE-29.1
B018853	PLATE-2	B024452	PLATE-29.1	B025600	PLATE-28
B018853	PLATE-15	B024477	PLATE-25	B025601	PLATE-28
B018854	PLATE-14	B024496	PLATE-29.1	B025603	PLATE-29.1
B018946	PLATE-13	B024512	PLATE-29.1	B025672	PLATE-29

